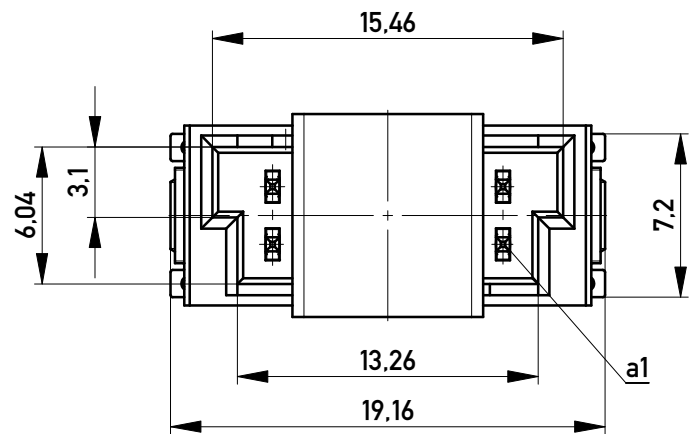
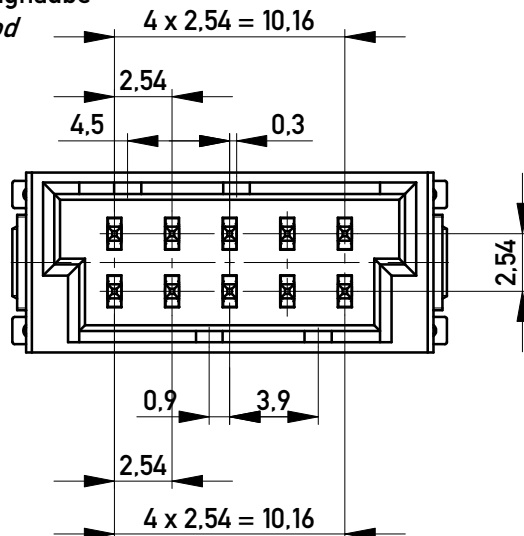
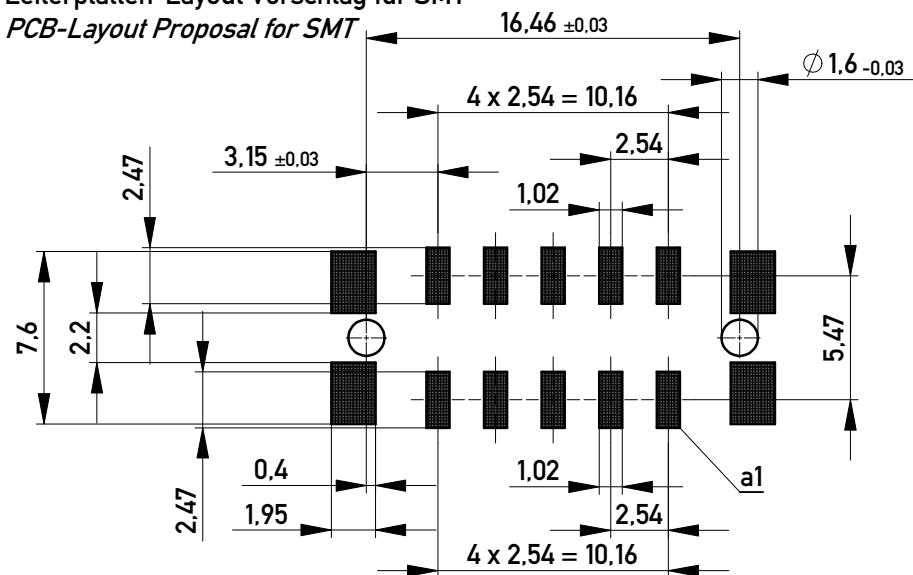


ohne Ansaughaube  
without hood



Leiterplatten-Layout Vorschlag für SMT  
PCB-Layout Proposal for SMT



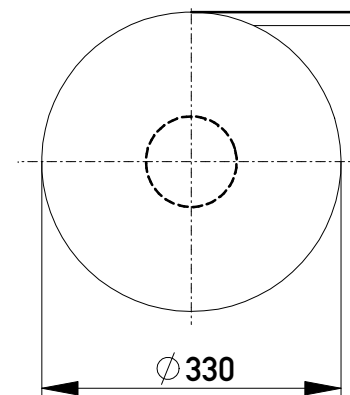
Anforderungsstufe 1  
Performance Level 1

Kontaktbereich vergoldet  
Mating Area gold plating

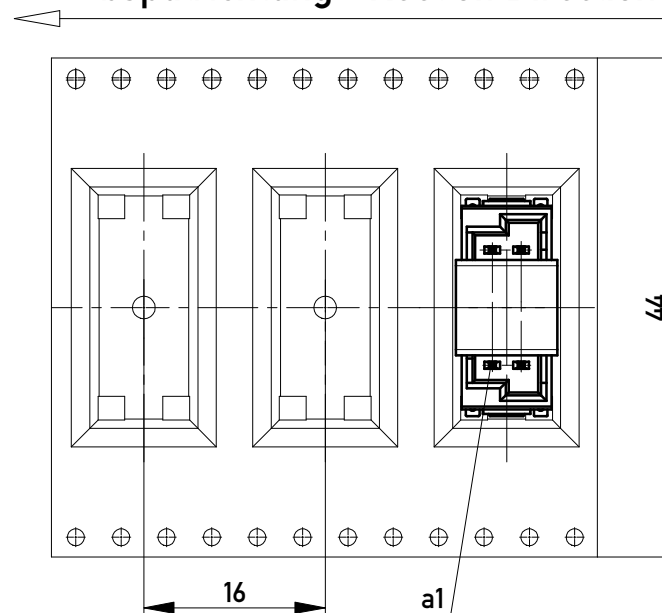
Anschlussbereich verzinkt 4-6 µm  
Terminal Area 4-6 µm tin plating

Koplanarität der Anschlüsse ≤ 0,1 mm  
Coplanarity Area of Termination ≤ 0,1 mm

Verpackt im Gurt in Anlehnung an DIN IEC 60286-3  
Tape on Reel Packaging according to DIN IEC 60286-3  
Verpackungseinheit: 320 Stück  
Packaging unit: 320 pcs



Abspulrichtung - Reel off Direction



für höhere Spannungsfestigkeit  
for higher voltage proof

Copyright by ERNI Production GmbH & Co. KG  
Proprietary notice pursuant to ISO 16016 to be observed.

Information: Codierung schwarz - coding black		Tolerances	All Dimensions in mm	Scale 3:1
All rights reserved. Only for Information. To ensure that this is the latest version of this drawing, please contact one of the ERNI companies before using.		Subject to modification without prior notice. Drawing will not be updated.		Designation <b>M 2,54 DRC-Q, 10-polig</b>
b		05.07.2016		100704600001
Index		Date		
		www.ERNI.com		K
		Class DRCQ		A3