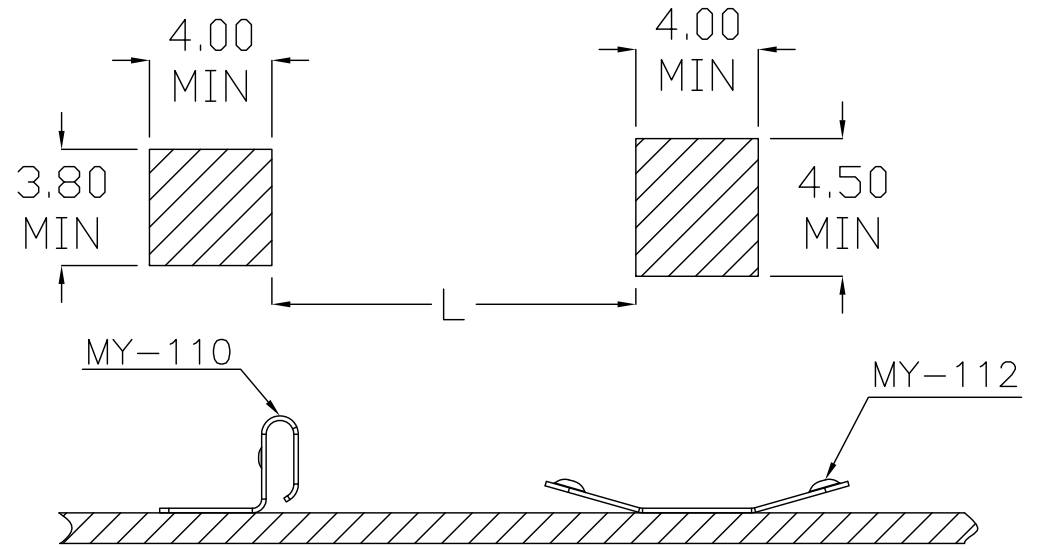
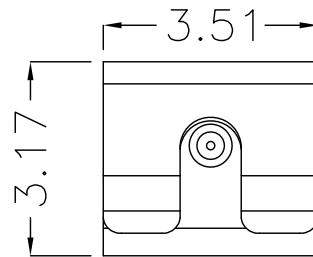
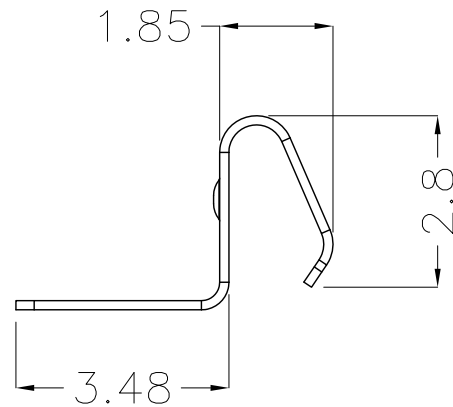


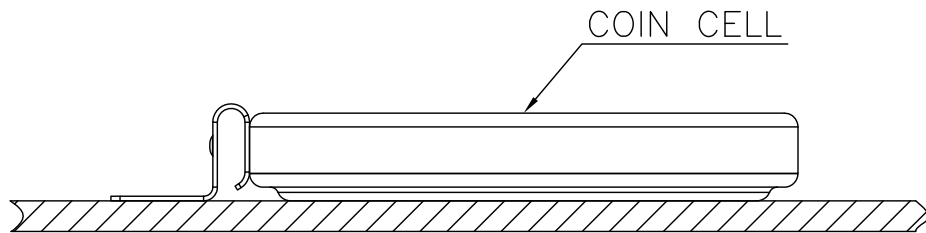


REV.	ECN NO.	REVISED	DATE



S:2:1

MTG LAYOUT USE WITH MY-112



工程部  
2018-04-17  
LQ. HUANG

COIN CELL DIA.	LDM.
20MM	9.40
23MM	10.90
24MM	11.40
30MM	14.40

UNLESS OTHERWISE SPECIFIED TOLERANCES		<b>MYOUNG 美阳</b> <a href="http://www.meiyangdz.com">www.meiyangdz.com</a>	
DECIMALS: X :±0.30 X.X :±0.25 X.XX :±0.20 X.XXX :±0.10	ANGLES: X :±1° X.X :±0.5°	DSND YangFeng	DATE 2018-04-17
WEIGHT:		CHKD ZhouRuicai	DATE 2018-04-17
		APVD XueShunyong	DATE 2018-04-17
SHEET 1 OF 1		SCALE:	VIEW:
		UNIT: mm	REV.: A/0
		SIZE: A4	OBJECT: MY
			TITLE: 电池接触片-110正极
			PART NO.: MY-ZJ-110
			DRAW NO.:MY-CP-0107

1	TERMINAL(+)	1	STAINLESS STEEL T=0.15mm	Au-Plating
NO.	PART NAME	Q'TY	MATERIAL	PLATING & COLOR