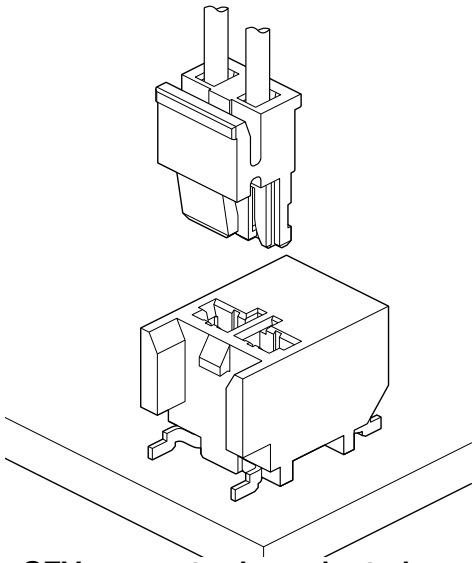


# SFV CONNECTOR



2.0mm pitch/Disconnectable Crimp style connectors



This SFV connector is a wire-to-board connector for connecting power supply and PCB and withstands high voltage. It is used for power supply of LED backlight in Liquid Crystal Display Television set.

- Withstand high voltage
- Secure locking structure
- Halogen-free

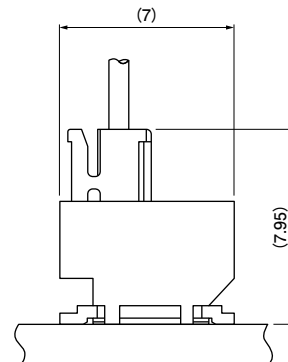
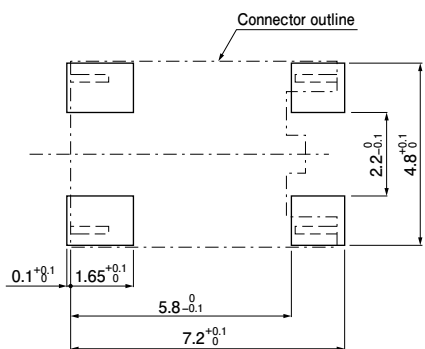
## Specifications

- Current rating: 1.0 A AC, DC (AWG #28)
  - Voltage rating: 300 V AC, DC
  - Temperature range: -25°C to +85°C  
(including temperature rise in applying electrical current)
  - Contact resistance: Initial value/ 20 mΩ max.  
After environmental tests/ 40 mΩ max.
  - Insulation resistance: 1,000 MΩ min.
  - Withstanding voltage: 1,700 VAC/minute
  - Applicable wire: Conductor size/ AWG #30 to #28  
Insulation O.D./ 0.8 to 0.92 mm
- \* Refer to "General Instruction and Notice when using Terminals and Connectors" at the end of this catalog.  
\* Contact JST for details.  
\* Compliant with RoHS.

## Standards

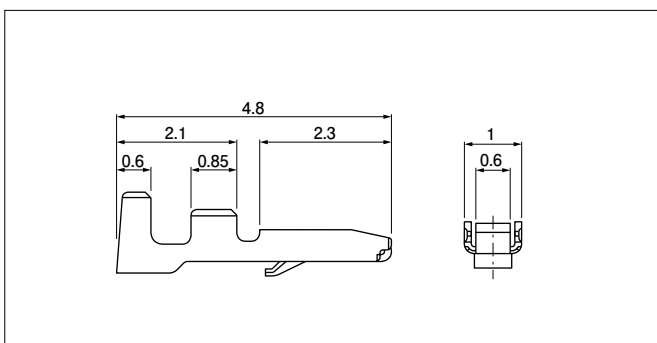
Ⓜ Recognized E60389

## PC board layout and Assembly layout



Note: 1. The above figure is the figure viewed from the connector mounting side.  
2. Tolerances are non-cumulative: ± 0.05 mm for all centers. The dimensions above should serve as a guideline. Contact JST for details.

## Contact



Model No.	Applicable wire		Insulation O.D. (mm)	Q'ty/reel
	mm <sup>2</sup>	AWG#		
SGVH-002T-P0.2	0.05 to 0.08	30 to 28	0.8 to 0.92	23,000

### Material and Finish

Phosphor bronze, tin-plated (reflow treatment)

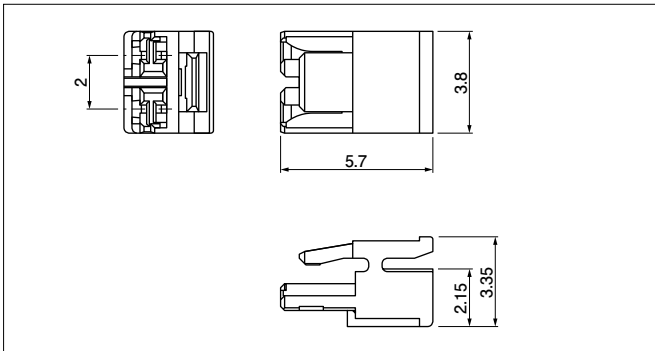
### RoHS compliance

Contact	Crimping machine	Applicator		
		Crimp applicator	Dies	Crimp applicator with dies
SGVH-002T-P0.2	AP-K2N	MKS-L-10-3	MK/SSHL-002-02	APLMK SSSL002-02
		—	—	—

Note: Contact JST for fully automatic crimping applicator.

# SFV CONNECTOR

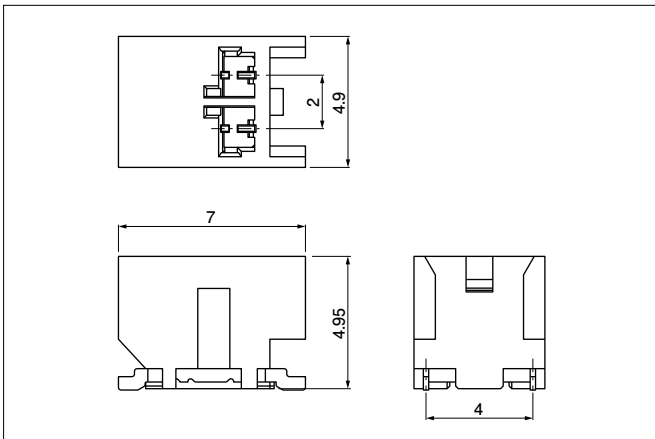
## Housing



No. of circuits	Model No.	Q'ty/bag
2	SFVR-02V-S (HF)	2,000
Material		
PBT, UL94V-0, natural		

RoHS compliance

## Header



No. of circuits	Model No.	Q'ty/reel
2	BM02B-SFVH-TF (HF)	2,000
Material and Finish		
Contact: Phosphor bronze, copper-undercoated, tin-plated (reflow treatment)		
Housing: Modified PA 6T, UL94V-0, gray		

RoHS compliance

Note: The product listed above is supplied on embossed-tape.

## Model number allocation

### Contact

S GVH - 002 T - P 0.2	
Form: S··Strip form	
Series name	
Applicable wire range: 002··AWG #30 to #28	
Surface finish: T··Tin-plated (reflow treatment)	
Material: P··Phosphor bronze	
Terminal size	

### Housing

SFV R - 02 V - S (HF)	
Series name	
Part name: Receptacle	
No. of circuits: 2	
Flammability: V··UL94V-0	
Color: S··Natural	
Indication of halogen-free: HF··Halogen-free	

### Header

BM 02 B - SFV H - TF (HF)	
Shape of assembled product: BM··SMT top entry type	
No. of circuits: 2	
Part name: Header	
Series name	
Color: H··Gray	
Packaging style: TF··Embossed-taping	
Indication of halogen-free: HF··Halogen-free	