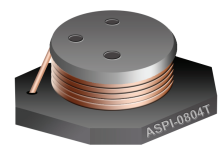


# SMD Power Inductor

ASPI-0804T



RoHS  
Compliant



13.5 x 9.5 x 5.5mm

## FEATURES:

- Compact size 13.5 x 9.5 x 5.5mm
- High energy storage and very low DCR
- Suitable for RoHS compliant reflow
- Special design lead wire for high isolation

## APPLICATIONS:

- Step-up and step-down converters
- Telecommunications
- DC-DC converter used in PDA, notebook computers and mobile phones

## ELECTRICAL SPECIFICATIONS:

Abracon P/N:	ASPI-0804T Series
Operating Temperature & Humidity :	-40°C to +85°C
Storage Temperature & Humidity:	+22°C to +28°C, Humidity < 80%RH

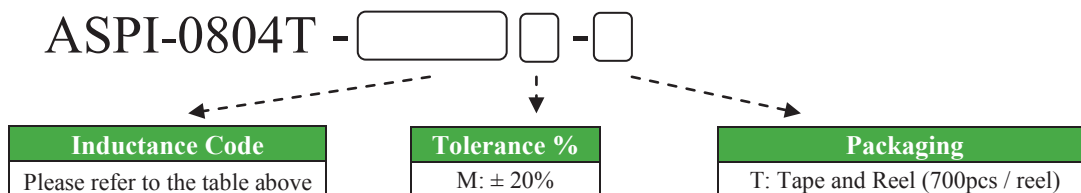
PART NUMBER	INDUCTANCE (uH)	Tolerance	DCR (Ω) max	IDC (A) max
ASPI-0804T-1R0	1.0	M	0.009	9.00
ASPI-0804T-1R5	1.5	M	0.010	8.00
ASPI-0804T-2R2	2.2	M	0.012	7.00
ASPI-0804T-3R3	3.3	M	0.015	6.40
ASPI-0804T-4R7	4.7	M	0.018	5.40
ASPI-0804T-6R8	6.8	M	0.027	4.60
ASPI-0804T-100	10	M	0.038	3.80
ASPI-0804T-120	12	M	0.050	3.10
ASPI-0804T-150	15	M	0.046	3.00
ASPI-0804T-220	22	M	0.085	2.60
ASPI-0804T-330	33	M	0.100	2.00
ASPI-0804T-470	47	M	0.140	1.60
ASPI-0804T-680	68	M	0.200	1.40
ASPI-0804T-101	100	M	0.280	1.20
ASPI-0804T-151	150	M	0.400	1.00
ASPI-0804T-221	220	M	0.610	0.80
ASPI-0804T-331	330	M	1.020	0.60
ASPI-0804T-471	470	M	1.270	0.50
ASPI-0804T-681	680	M	2.020	0.40
ASPI-0804T-102	1000	M	3.000	0.30

### Test Conditions

Inductance: 100kHz

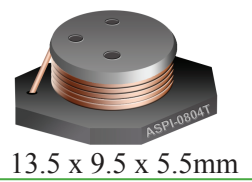
Isat: ΔL/L (initial) ≥ -10%

## OPTIONS AND PART IDENTIFICATION:

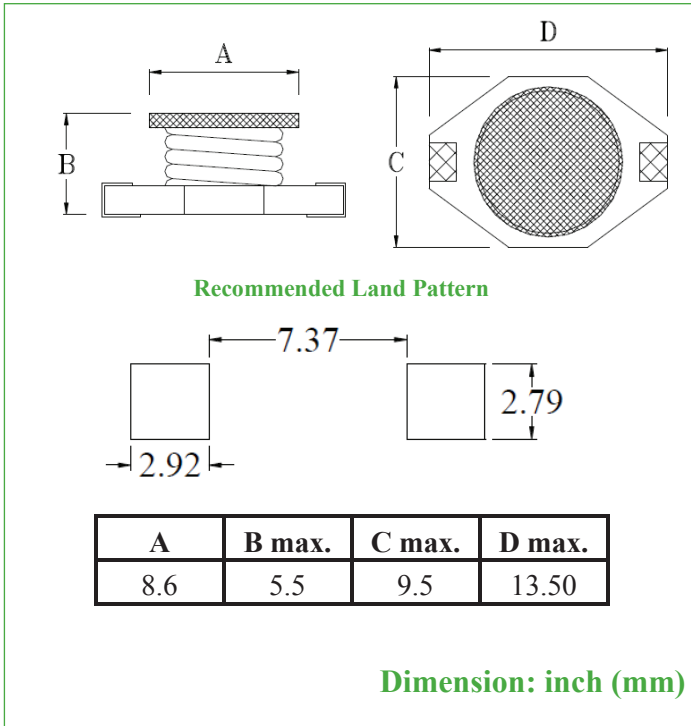


# SMD Power Inductor

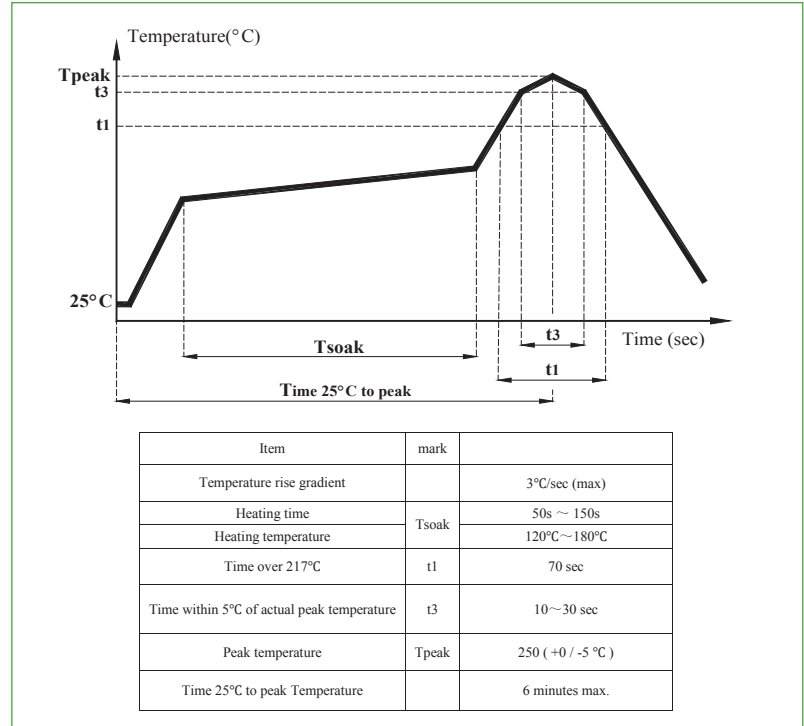
ASPI-0804T



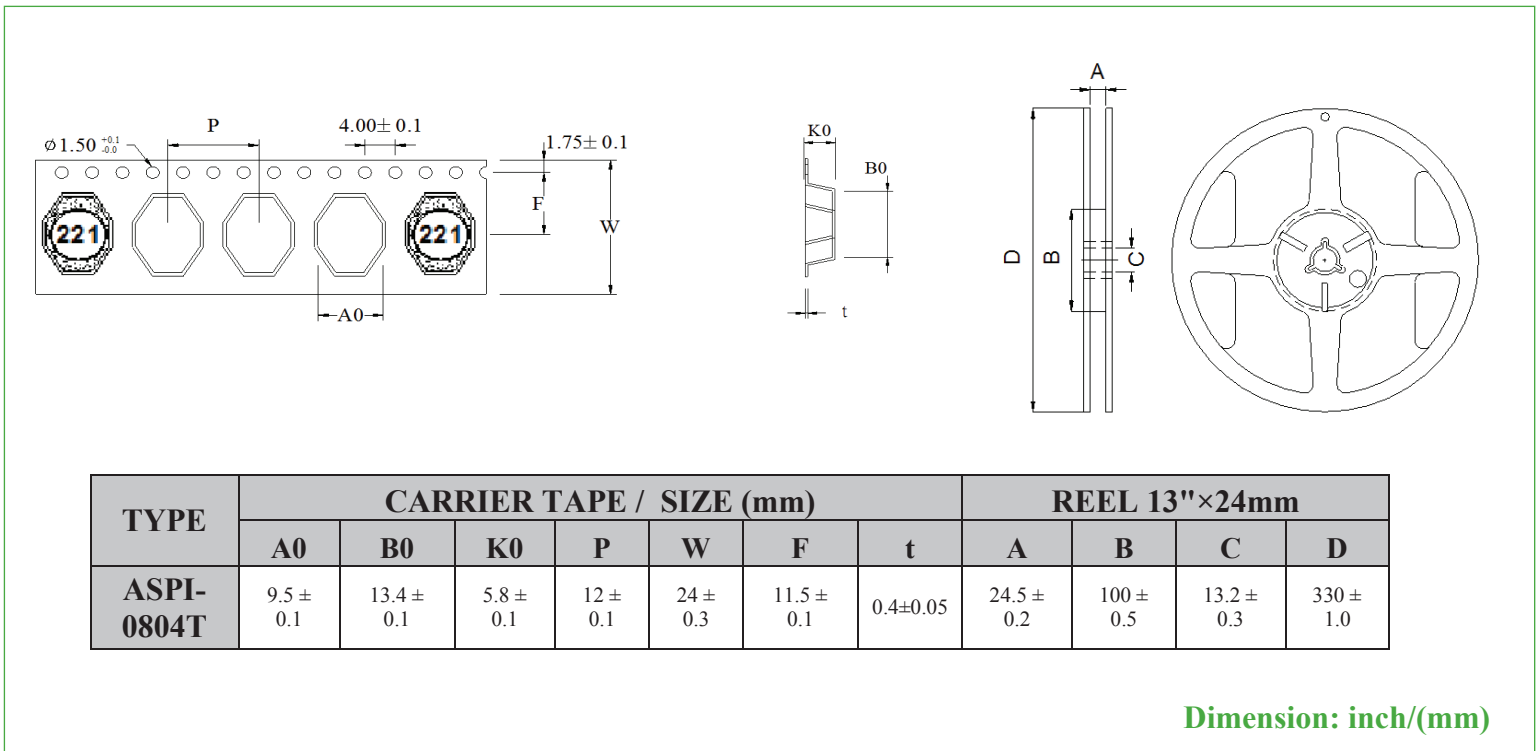
## OUTLINE DIMENSIONS:



## REFLOW PROFILE:



## TAPE & REEL: T: 700pcs / reel



**ATTENTION:** Abracon Corporation's products are COTS – Commercial-Off-The-Shelf products; suitable for Commercial, Industrial and, where designated, Automotive Applications. Abracon's products are not specifically designed for Military, Aviation, Aerospace, Life-dependant Medical applications or any application requiring high reliability where component failure could result in loss of life and/or property. For applications requiring high reliability and/or presenting an extreme operating environment, written consent and authorization from Abracon Corporation is required. Please contact Abracon Corporation for more information.



Visit [www.abracon.com](http://www.abracon.com) for Terms & Conditions of Sale **Revised: 10.21.11**  
 30332 Esperanza, Rancho Santa Margarita, California 92688  
 tel 949-546-8000 | fax 949-546-8001 | [www.abracon.com](http://www.abracon.com)