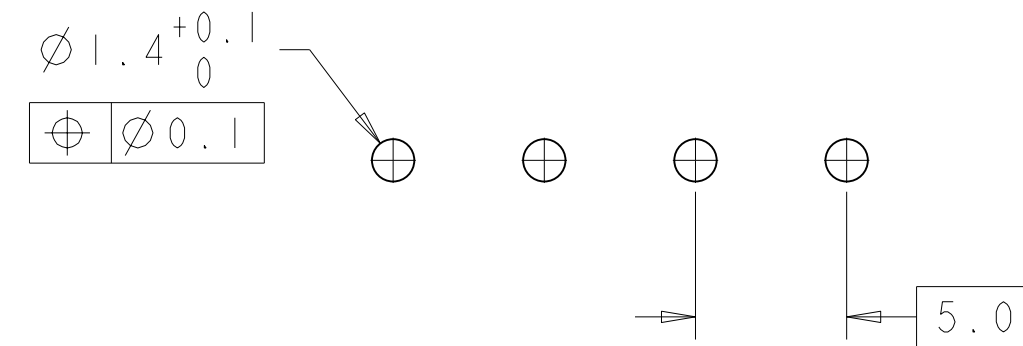
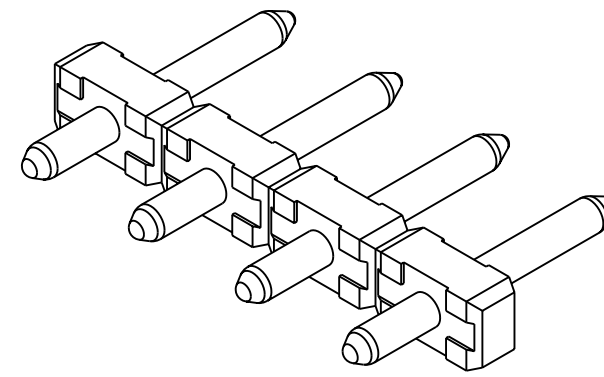
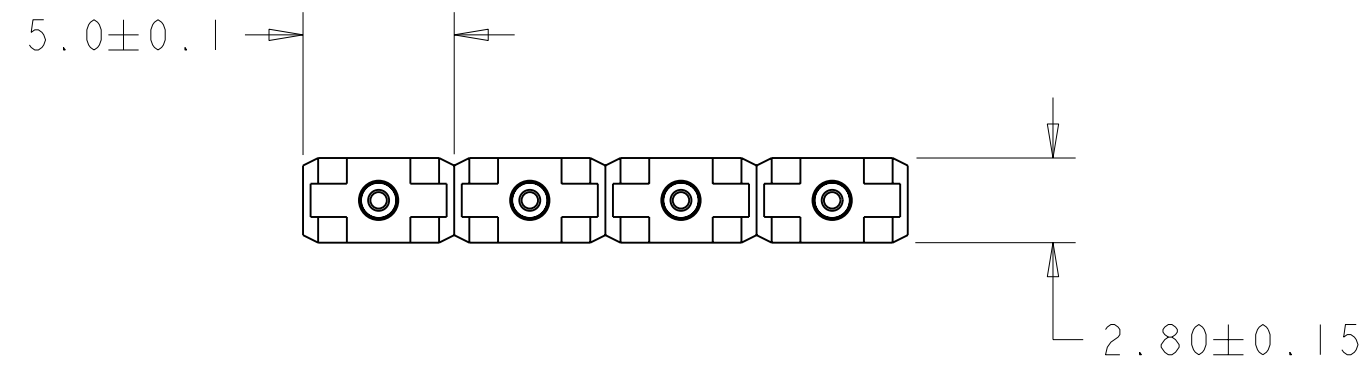


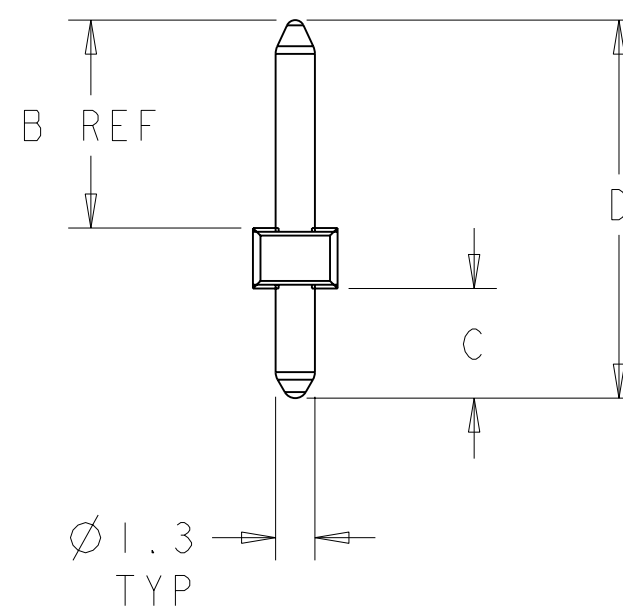
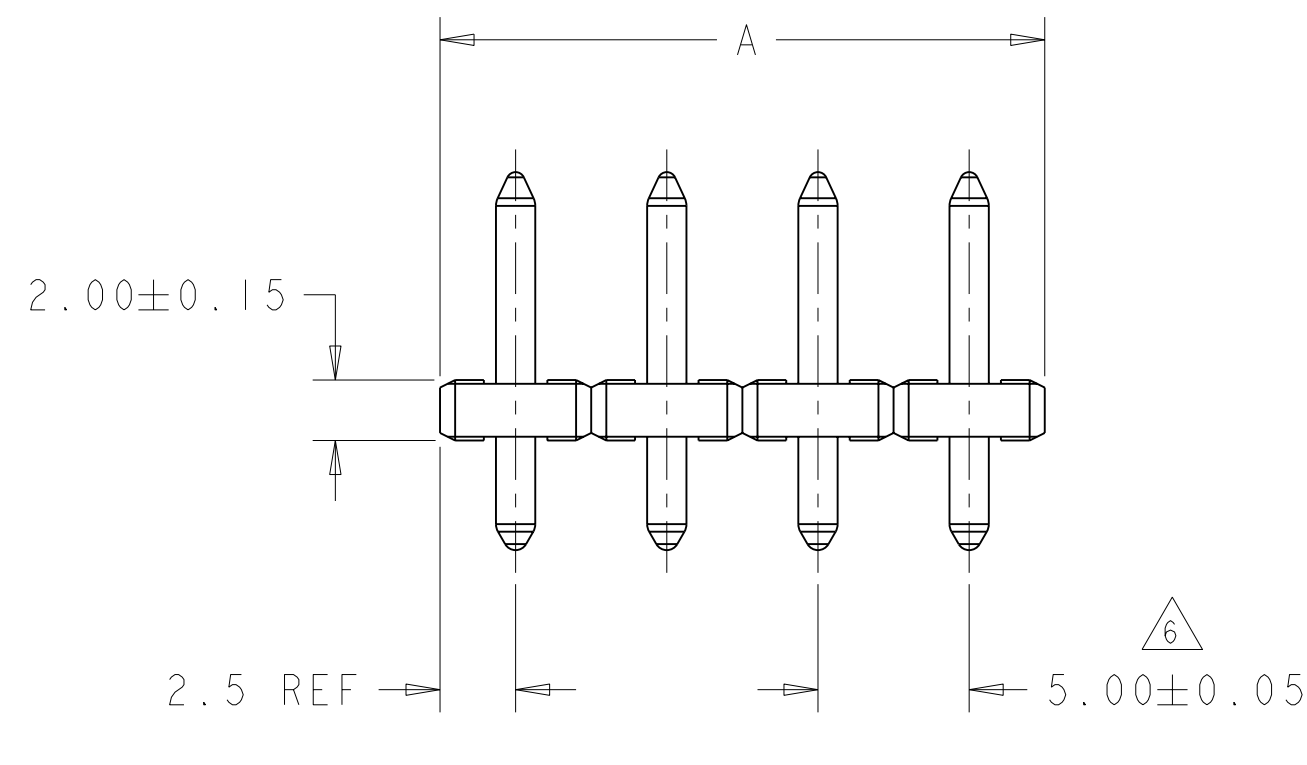
THIS DRAWING IS UNPUBLISHED. RELEASED FOR PUBLICATION 20  
 © COPYRIGHT 20 BY TYCO ELECTRONICS CORPORATION. ALL RIGHTS RESERVED.

LOC		DIST		REVISIONS			
P	LTR	DESCRIPTION	DATE	DWN	APVD		
	H	ADDED 3-4, 3-5 EC 0G3B-0502-03	17JUN2003	SW	CR		
	HI	ADDED 3--7, ECO-05-010011	09NOV2005	SW	CR		



RECOMMENDED PC BOARD LAYOUT

282832-4 AS SHOWN



FINISH	PITCH		NO. OF POSN		PART NUMBER				
	D	C	B	A					
TIN	16.5	3.5	11	20	3-282832-7				
	20.5	4.5	14	15	3-282832-6				
	21.1	12.5	3.5	15.6	20	4	3-282832-5		
					15	3	3-282832-4		
	11			15	3	3-282832-3			
				10	2	3-282832-2			
	GOLD			12.5	3.5	7	15	3	2-282832-7
							125	25	2-282832-6
							120	24	2-282832-5
							115	23	2-282832-4
							110	22	2-282832-3
							105	21	2-282832-2
							100	20	2-282832-1
							95	19	2-282832-0
90							18	1-282832-9	
85							17	1-282832-8	
80		16	1-282832-7						
75		15	1-282832-6						
70		14	1-282832-5						
65		13	1-282832-4						
TIN	16.5	3.5	11	40	8	1-282832-3			
	12.5	3.5	7	60	12	1-282832-2			
				55	11	1-282832-1			
				50	10	1-282832-0			
				45	9	282832-9			
				40	8	282832-8			
				35	7	282832-7			
				30	6	282832-6			
				25	5	282832-5			
				20	4	282832-4			
				15	3	282832-3			
				10	2	282832-2			

1. MATERIALS AND FINISH:  
 HOUSING: PA 6-6, UL 94-V0, COLOR GREEN.  
 TERMINAL: BRASS, PLATING: SEE TABLE.
2. SUITABLE FOR 1,6-2,4mm PC BOARD THICKNESS.
3. END-TO-END STACKABLE WITHOUT LOSS OF CENTERLINE SPACING.
4. RECOGNIZED UNDER THE COMPONENT PROGRAM OF UNDERWRITERS LABORATORIES INC. FILE N° E60677.
5. IMQ CERTIFICATE WITH SURVEILLANCE IN CONFORMITY WITH IEC 998-1/998-2-1.
6. NOT CUMULATIVE TOLERANCE.

THIS DRAWING IS A CONTROLLED DOCUMENT FOR TYCO ELECTRONICS CORPORATION. IT IS SUBJECT TO CHANGE AND THE CONTROLLING ENGINEERING ORGANIZATION SHOULD BE CONTACTED FOR THE LATEST REVISION.

DWN F. ZANOLINI	4AUG2001	<b>BUCHANAN</b> Tyco Electronics Harrisburg, PA 17105-3608
CHK D. BIEVENOUR	4AUG2001	
APVD D. BIEVENOUR	4AUG2001	
NAME	TERMINAL BLOCK PIN HEADER UNSHROUDED 5.0 mm PITCH	
DIMENSIONS:	TOLERANCES UNLESS OTHERWISE SPECIFIED:	PRODUCT SPEC
mm	0 PLC ±.3 1 PLC ±.3 2 PLC ±.25 3 PLC ±. 4 PLC ±. ANGLES ±.2	108-20166
MATERIAL	FINISH	APPLICATION SPEC
1	1	114-20079
CUSTOMER DRAWING		WEIGHT
		-
SIZE	CAGE CODE	DRAWING NO
A2	00779	C=282832
RESTRICTED TO	SCALE	SHEET
-	4:1	1 OF 1
REV	HI	