

PLEASE CHECK WWW.MOLEX.COM FOR LATEST PART INFORMATION

Part Number: [0513362010](#)
Status: **Active**
Description: 1.25mm (.049") Pitch Mini Mi II™ System Wire-to-Board IDT Housing, Single Row, 20 Circuits

Documents:

[3D Model](#) [Product Specification PS-51336-010 \(PDF\)](#)
[Drawing \(PDF\)](#) [RoHS Certificate of Compliance \(PDF\)](#)

General

Product Family IDT and Solder Connectors
 Series [51336](#)
 Crimp Quality Equipment Yes
 Product Name Mini Mi II™

Physical

Circuits (Loaded) 20
 Color - Resin Natural
 Durability (mating cycles max) 30
 Gender Female
 Glow-Wire Compliant No
 Lock to Mating Part Yes
 Material - Metal Phosphor Bronze
 Material - Plating Mating Tin
 Material - Plating Termination Tin
 Material - Resin Polyester
 Number of Rows 1
 Packaging Type Bag
 Panel Mount No
 Pitch - Mating Interface (in) 0.049 In
 Pitch - Mating Interface (mm) 1.25 mm
 Plating min: Mating (µin) 36
 Plating min: Mating (µm) 0.90
 Plating min: Termination (µin) 36
 Plating min: Termination (µm) 0.90
 Polarized to Mating Part Yes
 Stackable No
 Temperature Range - Operating -40°C to +105°C
 Termination Interface: Style IDT or Pierce
 Wire Insulation Diameter 0.80-0.90mm (.031-.035")
 Wire Size AWG 26, 28

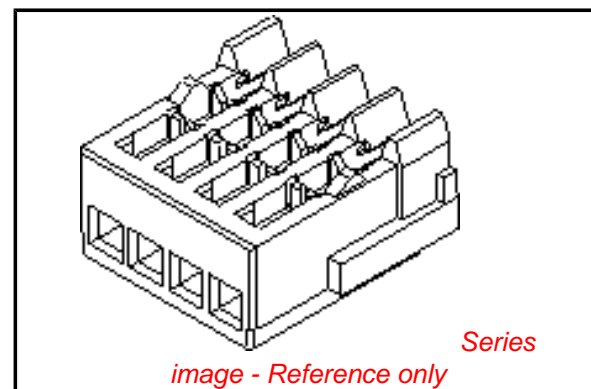
Electrical

Current - Maximum per Contact 1.5A
 Voltage - Maximum 100V

Material Info

Reference - Drawing Numbers

Product Specification PS-51336-010, RPS-51336-004, RPS-51336-005,
 RPS-51336-006, RPS-51336-009
 Sales Drawing SD-51336-001



EU RoHS

**ELV and RoHS
 Compliant**
**REACH SVHC
 Contains SVHC: No**
**Halogen-Free
 Status
 Not Reviewed**

China RoHS



**Need more information on product
 environmental compliance?**

Email productcompliance@molex.com
 For a multiple part number RoHS Certificate of
 Compliance, [click here](#)

Please visit the [Contact Us](#) section for any
 non-product compliance questions.

Search Parts in this Series

[51336Series](#)

Mates With

[55447](#) Vertical Header, [55454](#) Right Angle
 Header

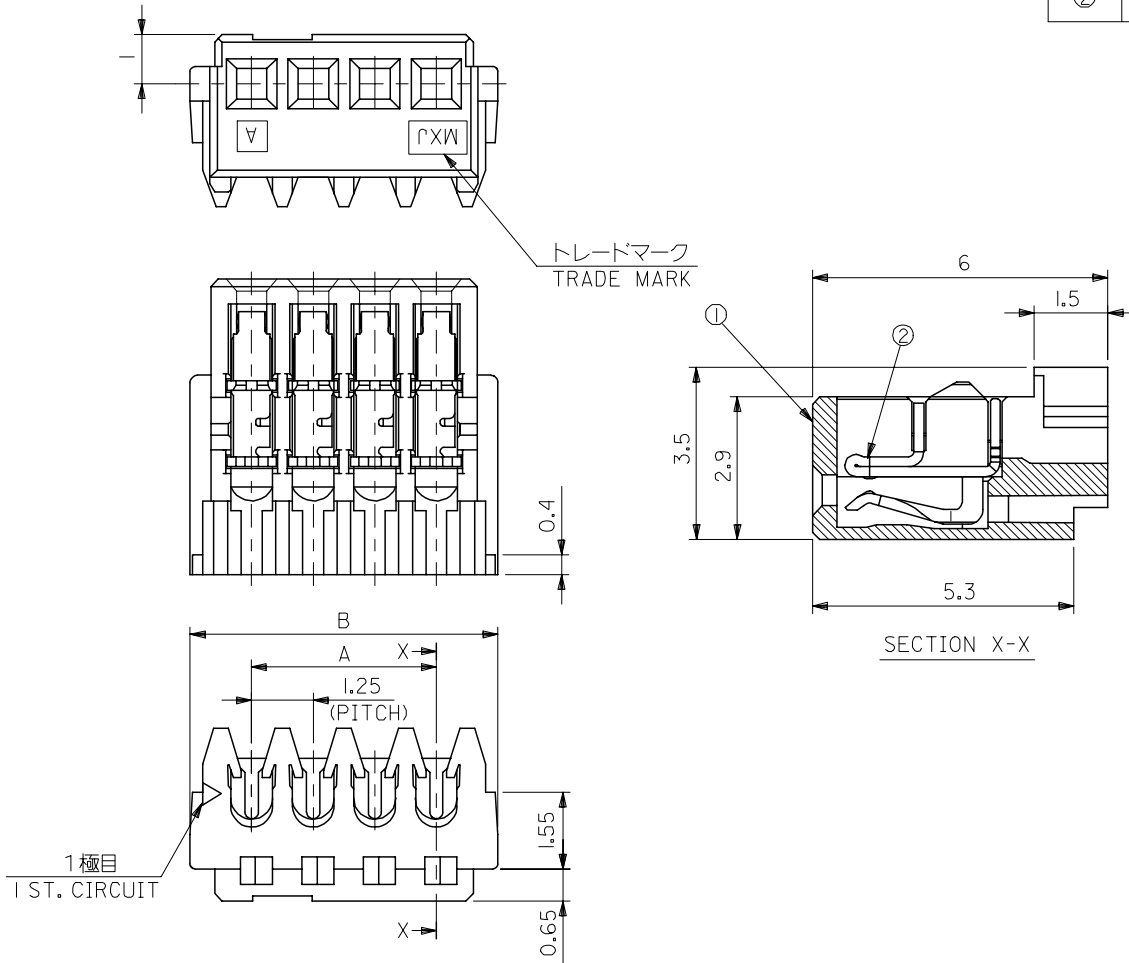
| 番号 NO. | 名称 NAME | 原料 MATERIAL | 数量 QTY | 仕上げ FINISH |
|--------|----------------|--------------------------------------|--------|----------------------------|
| ① | ハウジング HOUSING | PBT PBT | 1 | ガラス30%, UL94V-0 G.F.30% |
| ② | ターミナル TERMINAL | りん青銅 (+0.2) PHOSPHOR BRONZE(+0.2) | N | 全体錫メッキ PRE-TINNED |

注) NOTES

1. 原料および仕上げ: 表参照
MATERIAL AND FINISH : SEE CHART

△製品番号
MATERIAL NO.
51336-***

極数 CIRCUIT SIZE(O2 ~ 20)
色 COLOR 10: 白色 WHITE



| 極数 | CIRCUIT SIZE | MATERIAL NO. | MODEL NO. |
|-------|--------------|--------------|-----------------------|
| 26.25 | 23.75 | 20 | 51336-201* |
| 25 | 22.5 | 19 | 51336-191* |
| 23.75 | 21.25 | 18 | 51336-181* |
| 22.5 | 20 | 17 | 51336-171* |
| 21.25 | 18.75 | 16 | 51336-161* |
| 20 | 17.5 | 15 | 51336-151* |
| 18.75 | 16.25 | 14 | 51336-141* |
| 17.5 | 15 | 13 | 51336-131* |
| 16.25 | 13.75 | 12 | 51336-121* |
| 15 | 12.5 | 11 | 51336-111* |
| 13.75 | 11.25 | 10 | 51336-101* |
| 12.5 | 10 | 9 | 51336-091* |
| 11.25 | 8.75 | 8 | 51336-081* |
| 10 | 7.5 | 7 | 51336-071* |
| 8.75 | 6.25 | 6 | 51336-061* |
| 7.5 | 5 | 5 | 51336-051* |
| 6.25 | 3.75 | 4 | 51336-041* |
| 5 | 2.5 | 3 | 51336-031* |
| 3.75 | 1.25 | 2 | 51336-021* |
| B | A | 極数 | △製品番号 MATERIAL NO. |
| | | CIRCUIT SIZE | MODEL NO. |

| | |
|-------------------|--------------|
| 材料 MATERIAL | SEE CHART |
| 仕上げ FINISH | SEE CHART |
| 適用電線範囲 WIRE RANGE | AWG #26, #28 |
| 被覆外径 INS. RANGE | φ0.8 - φ0.9 |

| | |
|-----|---|
| REV | DESCRIPTION |
| 0 | RELEASED EC NO: J2006-1346 DRW: M.NABE1 2005/11/25 CHK: K.TOYODA 2005/11/28 APP: N.UKITA 2005/11/30 |

| | |
|--|-------|
| GENERAL TOLERANCES (UNLESS SPECIFIED) | |
| 10 UNDER | ±0.2 |
| 10 OVER 30 UNDER | ±0.25 |
| 30 OVER | ±0.3 |
| ANGULAR | ±3 ° |
| DRAFT WHERE APPLICABLE MUST REMAIN WITHIN DIMENSIONS | |

| | |
|----------------------------|---|
| DIMENSION STYLE MM ONLY | |
| DRAWN BY M.NABE1 | DATE '05/10/24 |
| CHECKED BY K.TOYODA | DATE '05/10/24 |
| APPROVED BY N.UKITA | DATE '05/10/24 |
| MATERIAL NO. SEE CHART | |
| SIZE A3 | THIS DRAWING CONTAINS INFORMATION THAT IS PROPRIETARY TO MOLEX INCORPORATED AND SHOULD NOT BE USED WITHOUT WRITTEN PERMISSION |

| | | |
|----------------------------------|------------------------|------------------------|
| SCALE 10:1 | DESIGN UNITS METRIC | THIRD ANGLE PROJECTION |
| TITLE MINI M12 REC. ASSY (SN) | | |
| MOLEX MOLEX INCORPORATED | | |
| DOCUMENT NO. SD-51336-001 | SHEET NO. 1 OF 1 | |