

TPS Series



DC power distribution non-indicating fuses



Product description:

TPS DC power distribution non-indicating fuses specifically designed to meet the unique needs of DC power distribution systems.

Specifications

Ratings:

- Volts 170Vdc
- Amps 1 - 70A
- IR 100kA

Agency information:

- CE
- UL Recognized, Guide JFHR2, File E56412
- RoHS Compliant

Features and benefits:

- Telpower™ fuse line is the first to be specifically designed to meet the unique needs of DC power distribution systems.
- The UL Recognized ratings of 170Vdc and 100kA interrupting rating along with the fuse's current-limiting capability make this fuse ideal for overcurrent protection on existing DC distribution systems.
- A unique blue label is used on all Telpower fuses to designate their DC capability.
- PCB mount versions available.
- Silver-plated brass ferrules.
- Glass melamine tube.
- For use with Bussmann fused disconnect switch 15800.
- Spare fuseholder: TPSFH-AS.

Custom designs:

- Printed circuit board variations available.

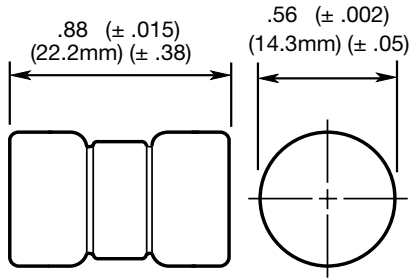
Catalog numbers

TPS-1	TPS-6	TPS-25L	TPS-50
TPS-1L	TPS-61L	TPS-25V	TPS-50L
TPS-1LB	TPS-10	TPS-30	TPS-50V
TPS-2	TPS-10L	TPS-30L	TPS-60
TPS-2L	TPS-15	TPS-35	TPS-60L
TPS-3	TPS-15L	TPS-35L	TPS-70
TPS-3L	TPS-20	TPS-40	TPS-70L
TPS-5	TPS-20L	TPS-40L	TPS-70LB
TPS-5L	TPS-25	TPS-40V	—

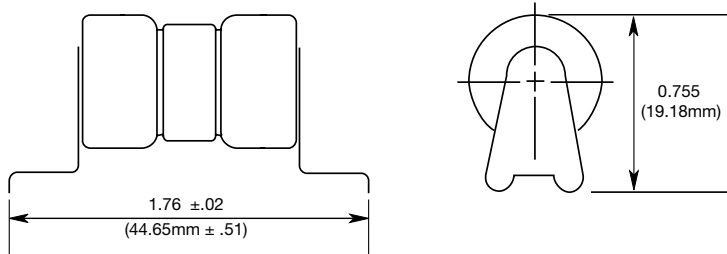
Suffix: L = PCB tab V = Vertical PCB tab LB = Bolt tag

Dimensions - mm (in)

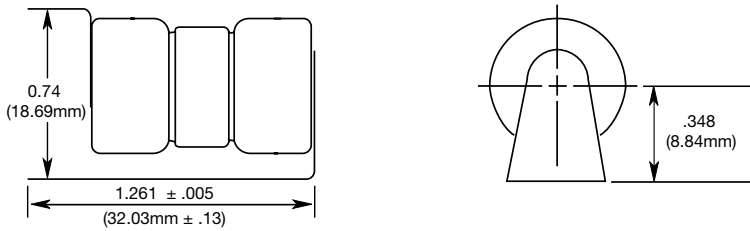
TPS-(amp)



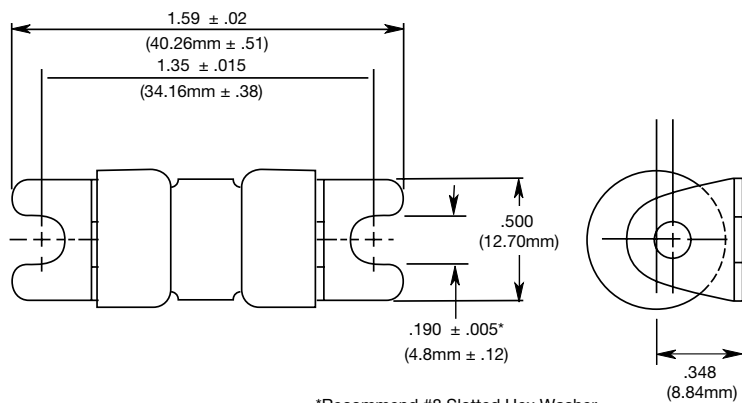
TPS-(amp)L – PCB tab



TPS-(amp)V – vertical PCB tab

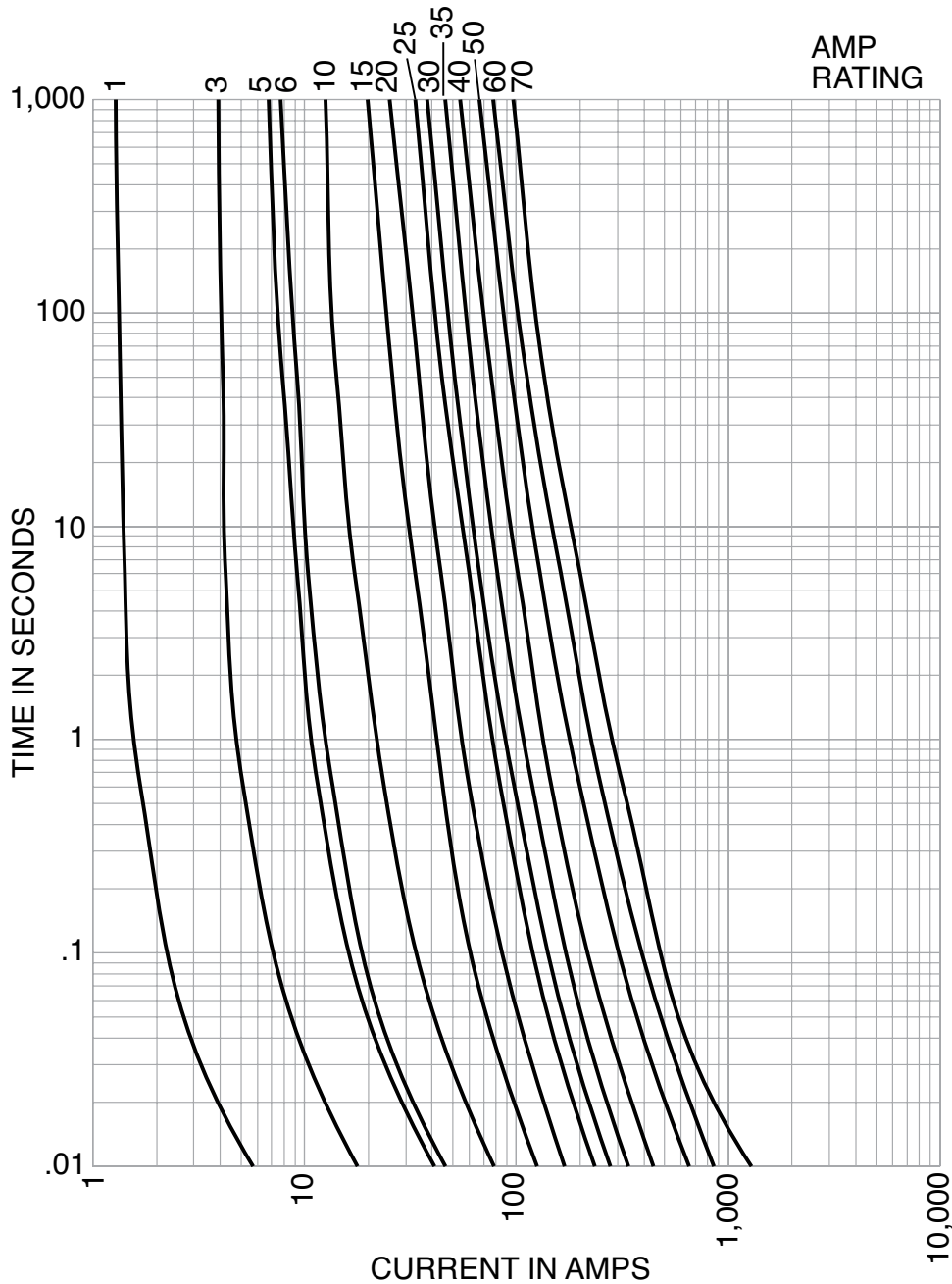


TPS-(amp)LB – bolt tab



*Recommend #8 Slotted Hex Washer
 Head Machine Screw for mounting

Time-current characteristic curves



The only controlled copy of this Data Sheet is the electronic read-only version located on the Bussmann Network Drive. All other copies of this document are by definition uncontrolled. This bulletin is intended to clearly present comprehensive product data and provide technical information that will help the end user with design applications. Bussmann reserves the right, without notice, to change design or construction of any products and to discontinue or limit distribution of any products. Bussmann also reserves the right to change or update, without notice, any technical information contained in this bulletin. Once a product has been selected, it should be tested by the user in all possible applications.

Eaton's Bussmann Business
114 Old State Road
Ellisville, MO 63021
United States
www.bussmann.com



© 2015 Eaton
All Rights Reserved
Publication No. 5009 - BU-SB15146
March 2015

Eaton is a registered trademark.
All other trademarks are property
of their respective owners.