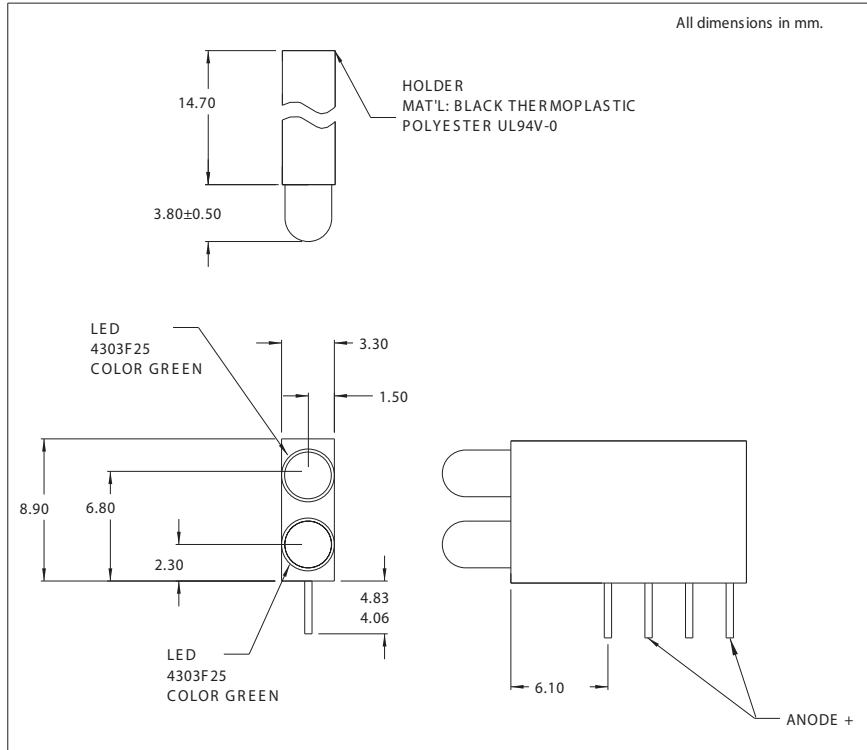




## 5682F Series Dual Mount T-1 LED Assembly

### DESCRIPTION AND FEATURES



#### Features:

- 2 T-1 LEDs mounted in single block saves space and assembly time.
- High density only 0.13 wide.
- Black plastic mounting block for high contrast ratio.
- Meets UL 94V-0 and Bellcore flammability specifications.

#### Available options:

- Low current, 5V and 12V built-in resistors.
- Bi-color and blue LEDs also offered.
- Call factory for ordering information.
- Mounting hole pattern on page 1-X3.

Ordering Information: Use chart below to determine model number.

	Red	Amber	Green	Yellow
LED	1	3	5	7

Model No. is as follows: 5682F          ;           
 Top LED Bottom LED

Example: To order red LED on top and green LED on bottom, the part number would be 5682F1;5.

### ELECTRO-OPTICAL CHARACTERISTICS AND RATINGS

Part Number	Emitted Color	Rated Current (mA)	Typ. Intensity (mcd)	Continuous Forward Current Max. (mA)	Forward Voltage		Reverse Breakdown Voltage Min.(V)	Peak Wavelength (nm)
					Typ. (V)	Max. (V)		
5682F1	Red	10	10.0	25	2.2	3.0	5.0	635
5682F3	Amber	10	6.5	25	2.2	3.0	5.0	602
5682F5	Green	10	8.5	25	2.3	3.0	5.0	565
5682F7	Yellow	10	10.0	20	2.2	3.0	5.0	583