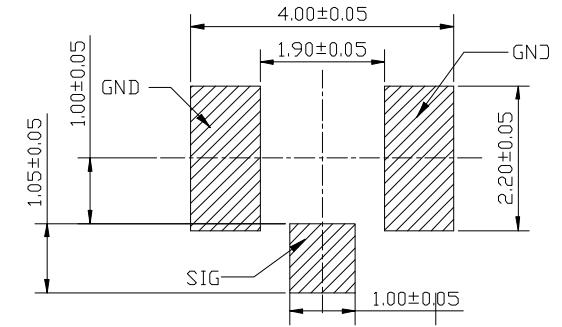
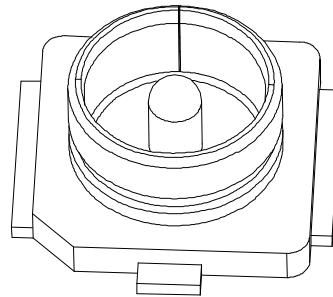
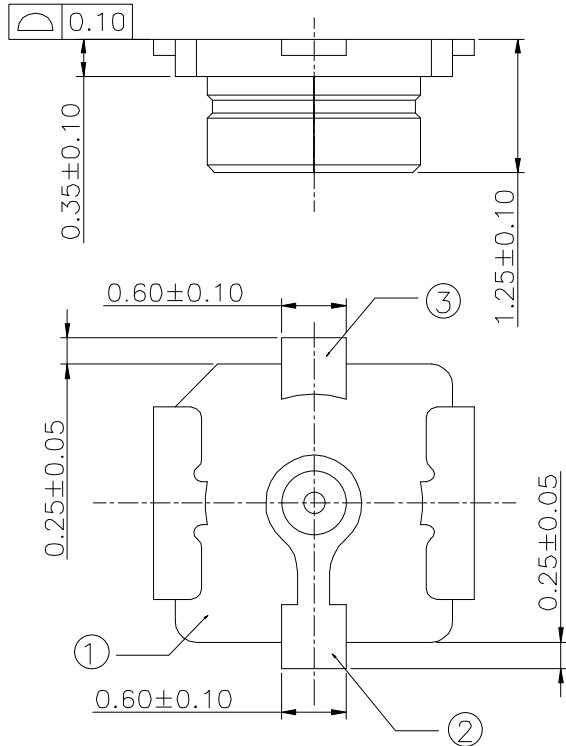
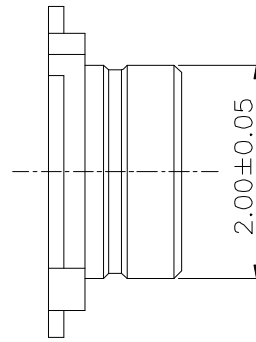
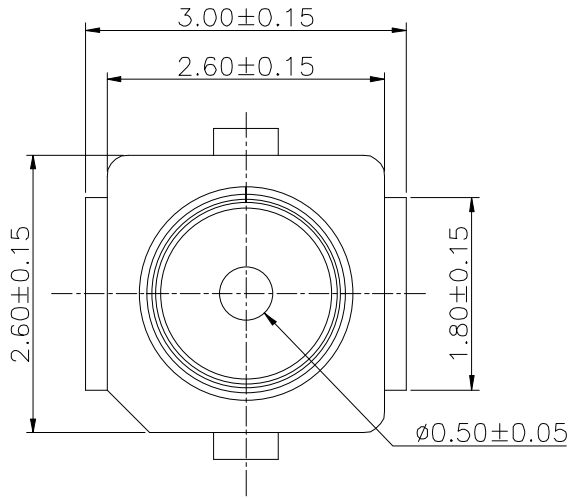
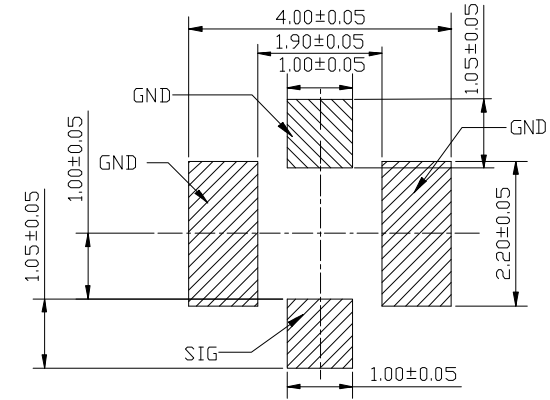


REV	ECN NO	DESCRIPTION	DATE	APPD
A1		正式板发行	2016.11.15	



RECOMMENDED PCB LAYOUT 1
(GENERAL TOLERANCE IS ±0.05)



RECOMMENDED PCB LAYOUT 2
(GENERAL TOLERANCE IS ±0.05)

NOTE:

1. MATERIAL:

- ① 1.1. HOUSING: THERMOPLASTIC, COLOR: WHITE, UL 94V-0;
- ② 1.2. CONTACT: COPPER ALLOY, T=0.15mm;
- ③ 1.3. SHELL: COPPER ALLOY, T=0.15mm.

2. FINISH:

- 2.1. CONTACT: GOLD FLASH PLATED ON MATING AREA, GOLD FLASH ON SOLDER TAILS, NICKEL UNDER PLATED OVER OF THE ALL;
- 2.2. SHELL: GOLD FLASH ON THE ALL, NICKEL PLATED UNDER.

EXTEND USE		RF 2.5H REC Connector		深圳市华灿天禄电子有限公司	
GENERAL TOLERANCE ②		UNIT	mm	DWG NO	
DIMENSION		MATERIAL	APPD	C-3.2.08.0110	
. ±0.30	ANGLES ±3°	QTY	CHD	P/N:	
.0 ±0.25	.0 ±2°	FINISHED	DRN	HC-RF-1PEX0303-01	
.00 ±0.20	.00 ±1°	杨云超 2016.11.15		SHEET	SCALE
.000 ±0.10				1/1	1:1
				REV	A1