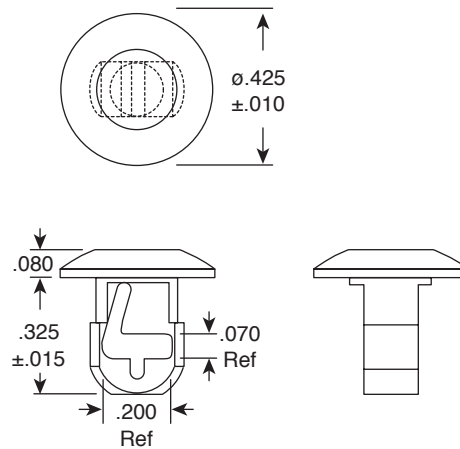


Dimensions: in.



Flat tie holder for use when both sides of the panel are accessible.

Part Number	Panel Hole Diameter	Panel Thickness
561-TA250125	.250"	.125"

Mouser Electronics

Authorized Distributor

Click to View Pricing, Inventory, Delivery & Lifecycle Information:

[Eagle Plastic Devices:](#)

[561-TA250125](#) [561-TA250125B](#)