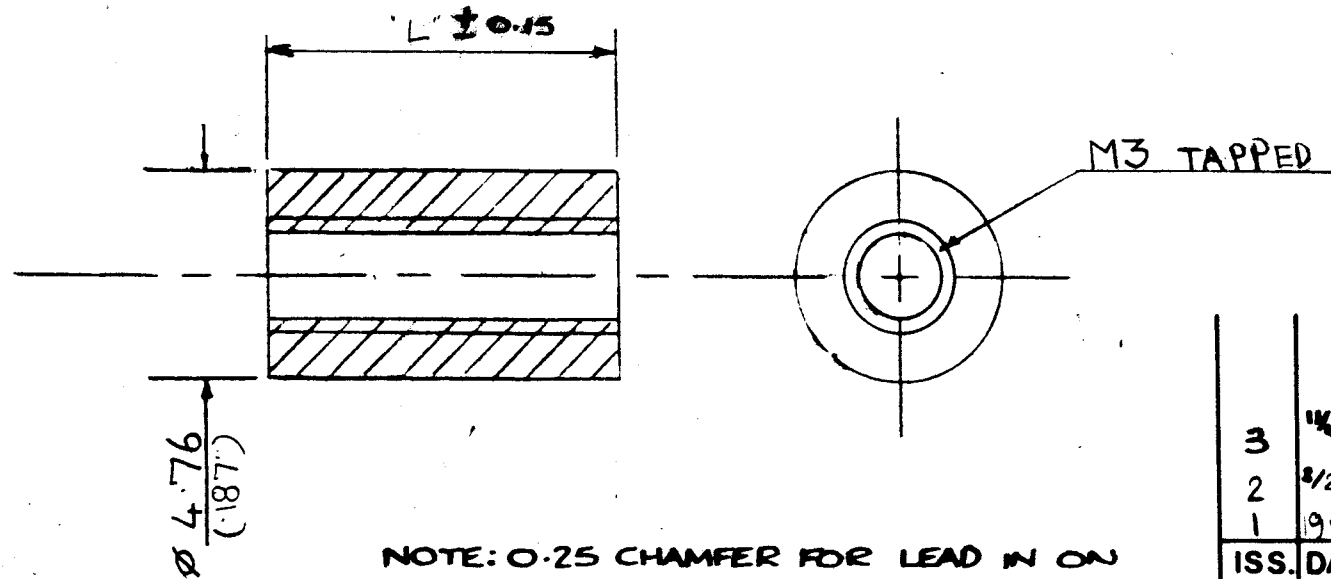


DRAWING NUMBER  
 R6356-02 —  
 R6357-02



THIRD ANGLE PROJECTION

DO NOT SCALE



3	11/1/87	1081
2	8/2/86	932
1	9/3/79	—
ISS.	DATE	CHANGE

NOTE: 0.25 CHAMFER FOR LEAD IN ON  
 THREAD. REMOVE ALL BURRS.

R6356-02	563.398	22.23	.875
R6357-02	640.680	25.40	1.000
PART NO	SURFACE AREA MM <sup>2</sup>	MM	INCH
		L	

APPD.	CHKD.	DRAWN	HARWIN REF.
		Phelan	
CAM NO.	MACH. NO.	ASSY. DRAWING	

<b>HARWIN ENGINEERS S.A.</b> PORTSMOUTH P06 IRT	MATERIAL BRASS 32874 CZ121	FINISH (NICKEL PLATE) F0201	DRAWING NUMBER R6356-02 — R6357-02
	TITLE (ROUND) THREADED SPACER	TOLERANCES FRAC. ± 1/64 DEC ± .005 MM ± .13	
		DIMS. IN MM (in) SCALE —	