

### ■ Features :

- Output current level selectable by DIP S.W.
- 180~295VAC input only
- Built-in active PFC function
- Protections: Short circuit / Over voltage / Over temperature
- Cooling by free air convection
- Fully isolated plastic case
- Class II power unit, no FG
- Built-in DALI interface and push dimming function
- Built-in 12V/50mA auxiliary output
- IP20 design
- Temperature compensation function by external NTC
- No load power consumption <1.2W@AC always on (Note 8)
- Power supplies synchronization function up to 10 units
- Suitable for LED lighting applications
- 3 years warranty

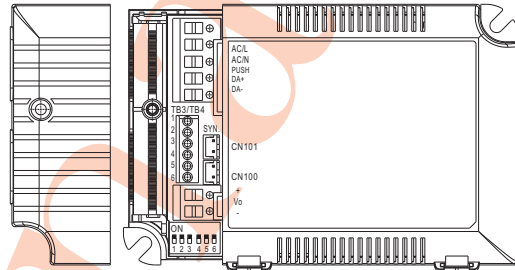
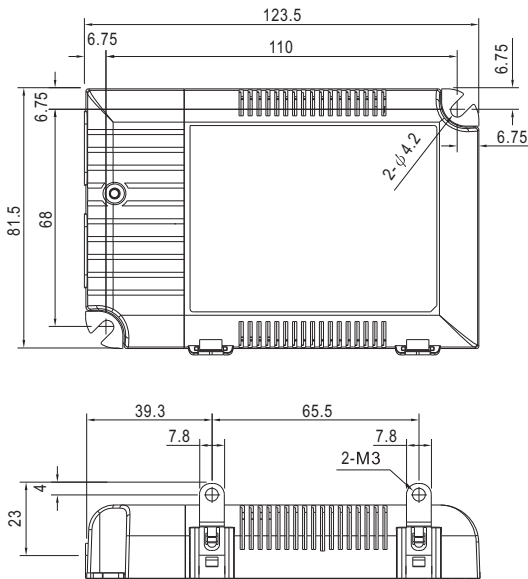


### SPECIFICATION

MODEL		LCM-40DA						
OUTPUT	SELECTABLE CURRENT <small>Note.3</small>	350mA	500mA	600mA	700mA	900mA	1050mA	
	DC VOLTAGE RANGE	2 ~ 100V	2 ~ 80V	2 ~ 67V	2 ~ 57V	2 ~ 45V	2 ~ 40V	
	RATED POWER	42W						
	RIPPLE CURRENT	±5%						
	RIPPLE & NOISE (max.) <small>Note.2</small>	700mVp-p			65V			
	NO LOAD OUTPUT VOLTAGE (max.)	110V			65V			
	CURRENT ACCURACY	±5.0%						
	SETUP, RISE TIME <small>Note.6</small>	1000ms, 80ms / 230VAC at rated power						
HOLD UP TIME (Typ.)	16ms/230VAC at rated power							
INPUT	VOLTAGE RANGE <small>Note.4</small>	180 ~ 295VAC		254 ~ 417VDC				
	FREQUENCY RANGE	47 ~ 63Hz						
	POWER FACTOR (Typ.)	PF ≥ 0.98/230VAC, PF ≥ 0.97/277VAC at rated power (Please refer to "Power Factor Characteristic" curve)						
	TOTAL HARMONIC DISTORTION	Total harmonic distortion will be lower than 20% when output loading is 75% or higher						
	EFFICIENCY (Typ.) <small>Note.7</small>	91%						
	AC CURRENT (Typ.)	0.21A/230VAC		0.17A/277VAC				
	INRUSH CURRENT(Typ.)	COLD START 35A/230VAC						
	LEAKAGE CURRENT	<0.5mA / 240VAC						
PROTECTION	SHORT CIRCUIT	Constant current limiting, recovers automatically after fault condition is removed						
	OVER VOLTAGE	110 ~ 130V		Protection type : Shutdown o/p voltage, re-power on to recover				
	OVER TEMPERATURE	90°C ±10°C (RTH2)		Protection type : Shut down o/p voltage, re-power on to recover				
FUNCTION	AUXILIARY POWER	12V @ 50mA for driving fan; Tolerance ±5%						
	TEMP. COMPENSATION	By external NTC(not provide with the power supply), please see "Temperature compensation operation"						
	DIMMING	Please see "Dimming Operation"						
	SYNCHRONIZATION	Please see "Synchronization Operation"						
ENVIRONMENT	WORKING TEMP.	-30 ~ +60°C (Refer to "Derating Curve")						
	WORKING HUMIDITY	20 ~ 90% RH non-condensing						
	STORAGE TEMP., HUMIDITY	-40 ~ +80°C, 10 ~ 95% RH						
	TEMP. COEFFICIENT	±0.03%/°C (0 ~ 50°C)						
	VIBRATION	10 ~ 500Hz, 2G 10min./1cycle, period for 60min. each along X, Y, Z axes						
SAFETY & EMC	SAFETY STANDARDS	UL8750, ENEC EN61347-1, EN61347-2-13, EN62384 independent approved						
	DALI STANDARDS	IEC62386-01, 102, 207						
	WITHSTAND VOLTAGE	I/P-O/P:3.75KVAC						
	ISOLATION RESISTANCE	I/P-O/P:>100M Ohms / 500VDC / 25°C / 70% RH						
	EMC EMISSION	Compliance to EN55015, EN61000-3-2 Class C(≥ 35% rated power) ; EN61000-3-3						
	EMC IMMUNITY	Compliance to EN61000-4-2,3,4,5,6,8,11, EN55024, EN61547 light industry level (surge 2KV), criteria A						
OTHERS	MTBF	K hrs min. MIL-HDBK-217F (25°C)						
	DIMENSION	123.5*81.5*23mm (L*W*H)						
	PACKING	0.24Kg						
NOTE	<ol style="list-style-type: none"> <li>1. All parameters NOT specially mentioned are measured at 230VAC input, rated load and 25°C of ambient temperature.</li> <li>2. Ripple &amp; noise are measured at 20MHz of bandwidth by using a 12" twisted pair-wire terminated with a 0.1uf parallel capacitor.</li> <li>3. Please see "DIP switch table".</li> <li>4. Derating may be needed under low input voltage. Please check the static characteristics for more details.</li> <li>5. The power supply is considered as a component that will be operated in combination with final equipment. Since EMC performance will be affected by the complete installation, the final equipment manufacturers must re-qualify EMC Directive on the complete installation again.</li> <li>6. Length of set up time is measured at first cold start. Turning ON/OFF the power supply may lead to increase of the set up time.</li> <li>7. Efficiency is measured at 500mA/80V output set by DIP switch.</li> <li>8. No load power consumption&lt;1.2W is measured at 180~277VAC.</li> </ol>							

**Mechanical Specification**

Case No. Unit:mm



Terminal Pin No. Assignment (TB3/TB4) :

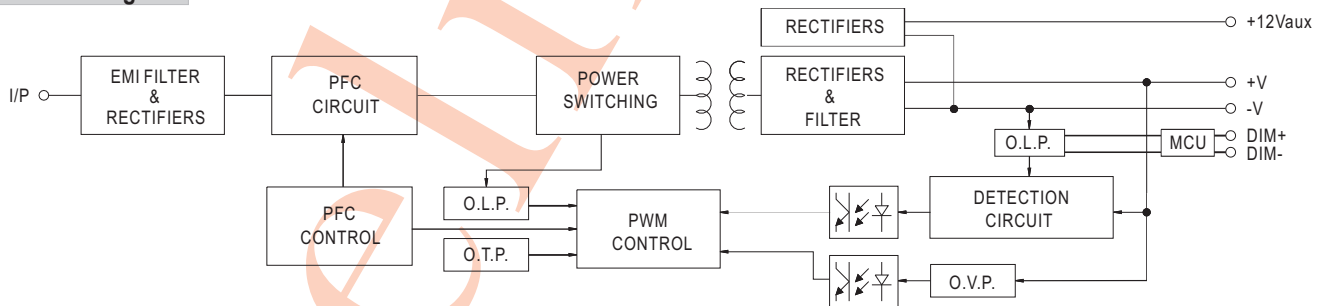
Pin No.	Assignment	Pin No.	Assignment
1	+12Vaux.	4	-NTC
2	-12Vaux.	5	DIM+
3	+NTC	6	DIM-

SYN. Connector (CN101/CN100): JST B2B-XH or equivalent

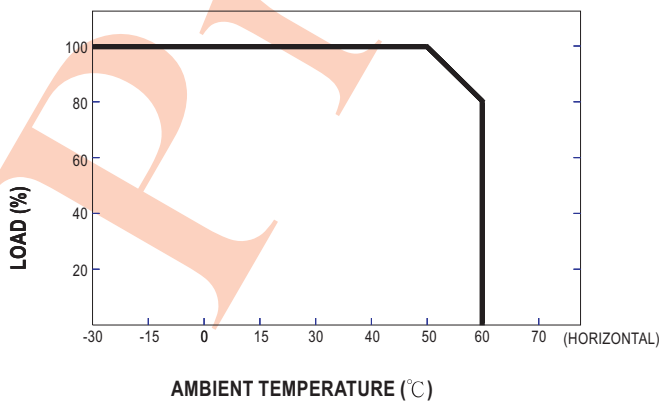
Pin No.	Assignment	Mating Housing	Terminal
1,3	+	JST XHP or equivalent	JST SXH-001T-P0.6 or equivalent
2,4	-		

PFC fosc : 60KHz  
PWM fosc : 80KHz

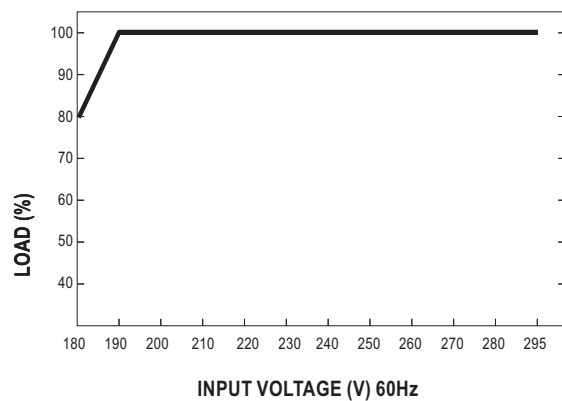
**Block Diagram**



**Derating Curve**



**Static Characteristics**



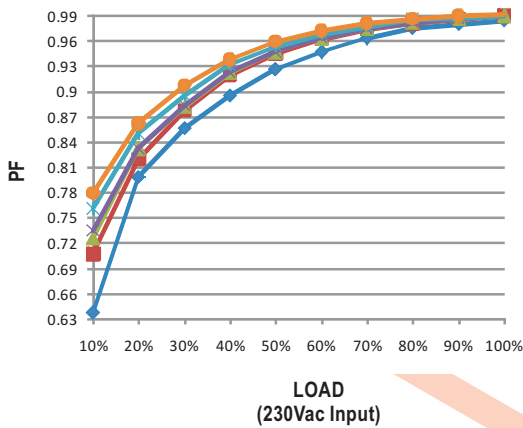
**DIP Switch Table**

LCM-40DA is a multiple-stage output current supply, selection of output current through DIP switch as table below.

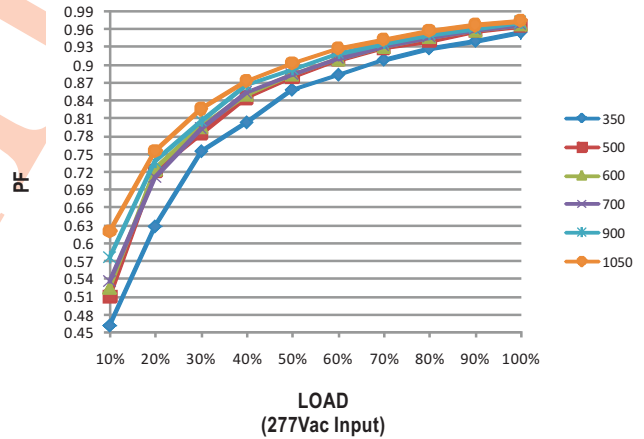
Io	DIP S.W.	1	2	3	4	5	6
350mA		----	----	----	----	----	----
500mA		ON	----	----	----	----	----
600mA(Factory Setting)		ON	ON	----	----	----	----
700mA		ON	ON	ON	----	----	ON
900mA		ON	ON	ON	ON	----	ON
1050mA		ON	ON	ON	ON	ON	ON

**Power Factor Characteristic**

Constant Current Mode

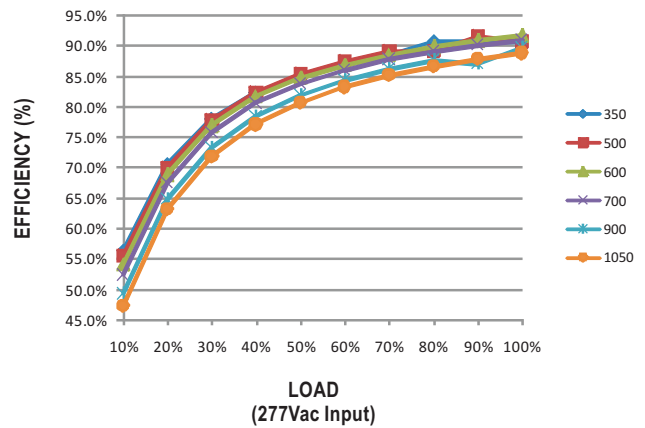
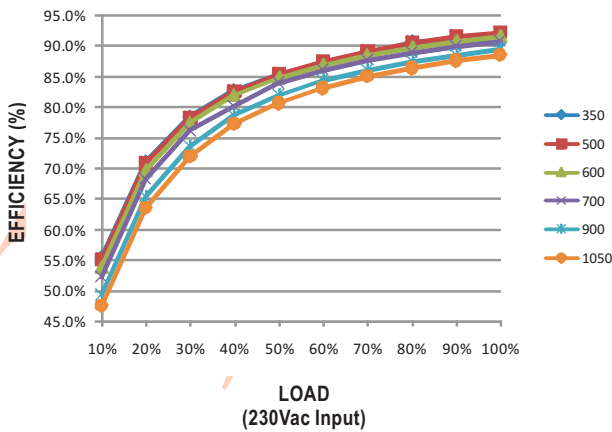


Constant Current Mode



**EFFICIENCY vs LOAD**

LCM-40DA series possess superior working efficiency that up to 91% can be reached in field applications.

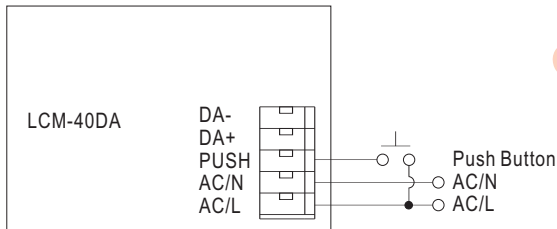


**■ DIMMING OPERATION**

※ **PUSH dim(primary side)**

Ignore	To avoid reaction on AC spike	<0.05 sec.
Short push	Push to turn ON-OFF	0.1~1 sec.
Long push	Dimming up or down	1.5~10 sec.
Reset push	Setting light to 100%	>11 sec.

- . Maximum number of drivers up to 10 pcs.
- . Maximum length of the cable, from push button to last driver is 15 meter.
- . Factory setting at 100%.
- . When the light is lower than 10% it will always dim up, or when the light output is higher than 90% it will always dim down.



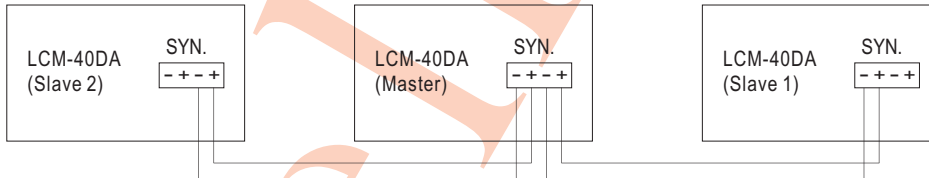
Warning: The pushbutton can only be connected in between the PUSH terminal of LCM-40DA and AC/L (brown or black color). It would cause short circuit if it is connected to AC/N.

※ **DALI interface(primary side)**

- . DALI protocol including 16 groups and 64 addresses.
- . First step is fixed at 1% light output.

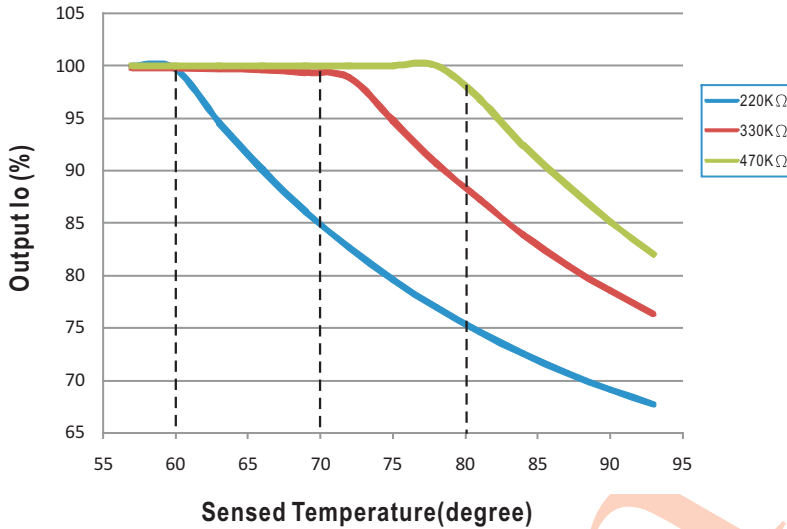
**■ SYNCHRONIZATION OPERATION**

- . 10 drivers(max.) synchronization (1 master + 9 slaves)
- . Maximum length of the cable from first driver to last driver is 15 meter.



■ TEMPERATURE COMPENSATION OPERATION

NTC derating curve



LCM-40DA have the built-in temperature compensation function ( $T \uparrow, I_o \downarrow$ ). By connecting a temperature sensor (NTC resistor) between the NTC +/- terminal of LCM-40DA and the detecting point on the lighting system or the surrounding environment, output current of LCM-40DA could be correspondingly changed to ensure the long life of LED.

1. LCM-40DA can still be operated well when the NTC resistor is not connected and the value of output current will be the current level that you set through the DIP switch.

2.

NTC resistance	Output Current
220K	< 60°C, 100% of the rated current (corresponds to the setting current level) > 60°C, output current begin to reduce, details please refer to the curve.
330K	< 70°C, 100% of the rated current (corresponds to the setting current level) > 70°C, output current begin to reduce, details please refer to the curve.
470K	< 80°C, 100% of the rated current (corresponds to the setting current level) > 80°C, output current begin to reduce, details please refer to the curve.

Notes: 1. MW does not offer the NTC resistor and all the data above are measured by using THINKING TTC03 series.

2. If other brands of NTC resistor is applied, please check the temperature curve first.

3. Synchronization function of the power supply will be invalid when the "temperature compensation" function is in use.