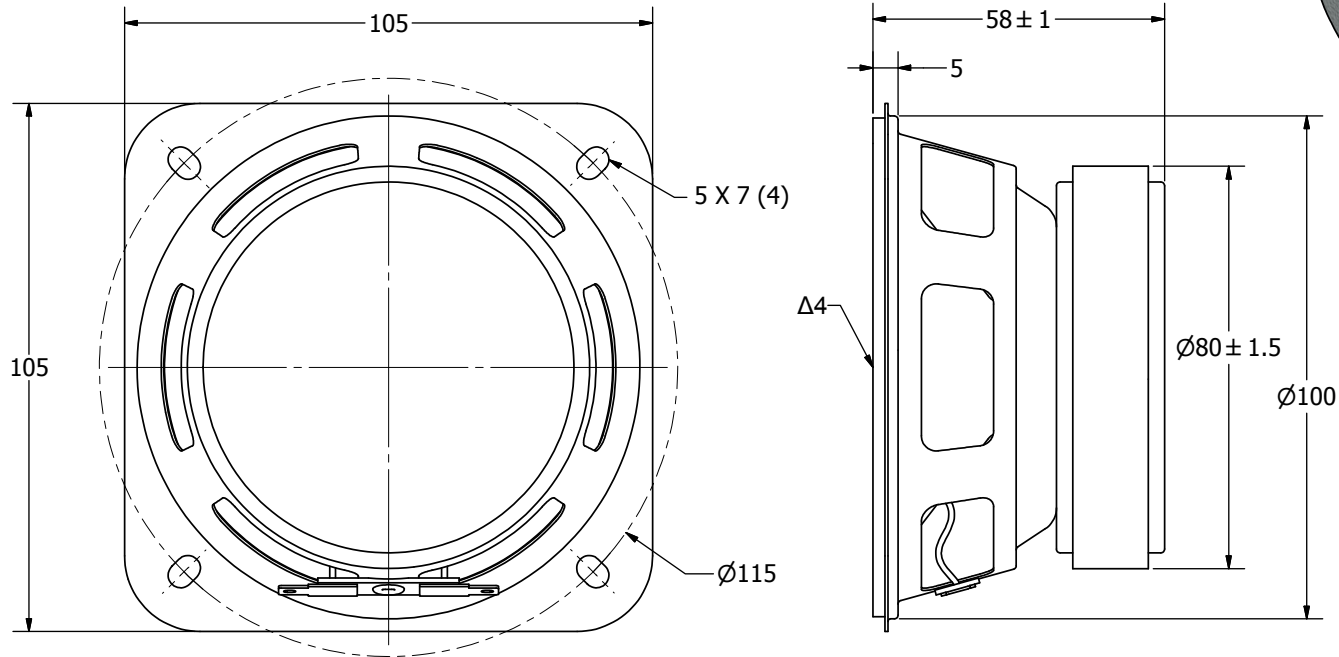
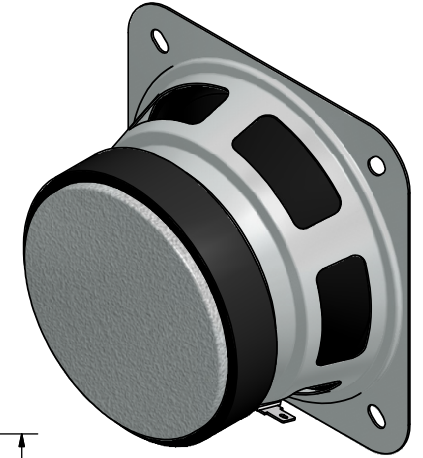


| SPECIFICATIONS | | |
|---|---------------|-------|
| PARAMETERS | VALUES | UNITS |
| RATED INPUT POWER | 20 | W |
| MAX INPUT POWER | 30 | W |
| IMPEDANCE | 4 ± 15% | OHM |
| OUTPUT SPL @ 1W/1M (AT 1.0, 1.2, 1.5, 2.0 kHz) | 86 ± 3 | dBA |
| DISTORTION (MAX.) | 7% | - |
| RESONANT FREQUENCY | 90 ± 20% | Hz |
| FREQUENCY RANGE | 90 ~ 10,000 | Hz |
| HOUSING MATERIAL | METAL | - |
| CONE MATERIAL | TREATED PAPER | - |
| MAGNET MATERIAL | FERRITE | - |
| OPERATING TEMPERATURE | -10 ~ +55 | °C |
| WEIGHT | 567 | grams |


THIS DOCUMENT CONTAINS DATA PROPRIETARY TO PROJECTS UNLIMITED, INC. ANY USE OR REPRODUCTION, IN ANY FORM, WITHOUT PRIOR WRITTEN PERMISSION OF PROJECTS UNLIMITED, INC. IS PROHIBITED.
©2003, Projects Unlimited Inc.

| REVISION HISTORY | | | |
|------------------|--|-----------|----------|
| LTR | DESCRIPTION | DATE | APPROVED |
| - | RELEASED FROM ENGINEERING | 9/25/2006 | |
| A | REVISED TO INVENTOR 3-D DRAWING TEMPLATE | 6/26/2008 | B.R. |



NOTES:

1. ALL DIMENSIONS ARE IN MILLIMETERS.
2. SPECIFICATIONS SUBJECT TO CHANGE OR WITHDRAWAL WITHOUT NOTICE.
3. THIS PART IS RoHS 2002/95/EC COMPLIANT.
- Δ4. CONE HAS BEEN TREATED FOR WATER RESISTANCE.

| UNLESS OTHERWISE SPECIFIED: DIMENSIONS ARE IN MILLIMETERS, TOLERANCES ARE ±0.5 AND ANGLES ARE ±3°. | SIZE A3 | Designed by | Date | Checked by | Date | Approved by | Date | Drawn Date |
|--|-------------------|--|-----------|------------|-----------|-------------|-----------|------------|
| | | J.D. | 9/22/2006 | B.R. | 9/22/2006 | R.W. | 9/22/2006 | 6/26/2008 |
| AS10004PS-WR-R.idw | |  AS10004PS-WR-R Speaker | | | | Edition | Sheet | |
| | | | | | | - | 1 / 1 | |