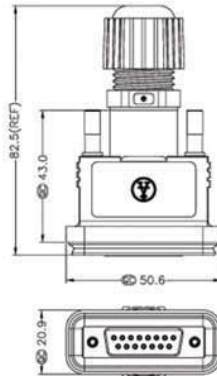
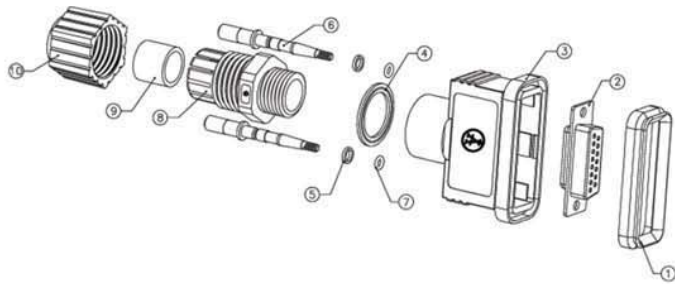
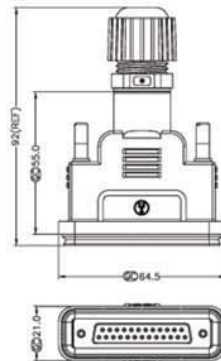
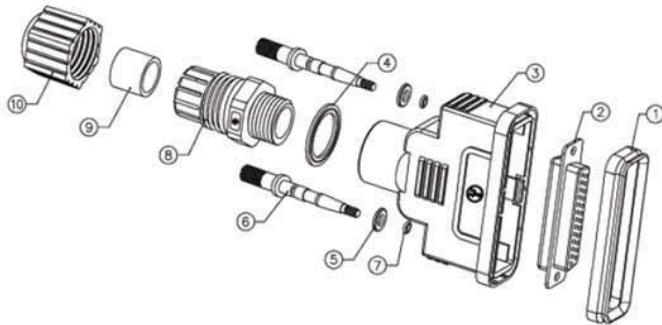


Dimensions			
No. of contacts	A	B	C
09	66.8	20.9	42.4
15	82.5	20.9	50.6
25	92.0	21.0	64.4



Notes:

- Waterproof Rate: IP67
- Housing: Black, ABS
- Pin: Copper Alloy, Gold Plated
- 22-26 AWG is recommended



ITEM NO. A-DS09-HOOD-WP-R (9 Contacts)
 A-DS15-HOOD-WP-R (15 Contacts)
 A-DS25-HOOD-WP-R (25 Contacts)

TITLE
 Waterproof D-Sub Backshell w/DB Male, Standard



1840 W. Drake Drive, Suite 101 • Tempe, AZ 85283
 Toll Free: 1-877-277-6266 • Email: info@assmann.us

THIS DRAWING IS UNPUBLISHED
 ©Copyright 2011 by Assmann WSW components
 All International Rights Reserved