



Bulkhead N Female to N Female Adapter IP67 Mated

RF Adapters Technical Data Sheet

PE91201

Configuration

- N Female Connector 1
- N Female Connector 2
- 50 Ohms
- Straight Body Geometry
- Bulkhead Mount Method

Electrical Specifications

| Description | Minimum | Typical | Maximum | Units |
|-----------------|---------|---------|---------|-------|
| Frequency Range | DC | | 6 | GHz |
| VSWR | | | 1.2:1 | |
| Return Loss | | | 20.83 | dB |

Mechanical Specifications

Size

Length

1.496 in [38 mm]

Weight

0.196 lbs [88.9 g]

| Description | Connector 1 | Connector 2 |
|-------------|-------------|-------------|
| Type | N Female | N Female |
| Polarity | Standard | Standard |

Mechanical Specification Notes:
Mounting Jam Nut Torque: 35 to 40 inch-lbs

Material Specifications

| Description | Connector 1 | | Connector 2 | |
|-------------|------------------|-----------|------------------|-----------|
| | Material | Plating | Material | Plating |
| Type | N Female | | N Female | |
| Contact | Beryllium Copper | Gold | Beryllium Copper | Gold |
| Insulation | PTFE | | PTFE | |
| Body | Brass | Tri-Metal | Brass | Tri-Metal |

Environmental Specifications

Temperature

Operating Range

-55 to +120 deg C

Click the following link (or enter part number in "SEARCH" on website) to obtain additional part information including price, inventory and certifications: [Bulkhead N Female to N Female Adapter IP67 Mated PE91201](#)





Bulkhead N Female to N Female Adapter IP67 Mated

RF Adapters Technical Data Sheet

PE91201

Humidity IP67 Mated

Compliance Certifications (visit www.Pasternack.com for current document)

RoHS Compliant

REACH Compliant

12/17/2014

Plotted and Other Data

Notes:

Bulkhead N Female to N Female Adapter IP67 Mated from Pasternack Enterprises has same day shipment for domestic and International orders. Our RF, microwave and millimeter wave products maintain a 99% availability and are part of the broadest selection in the industry.

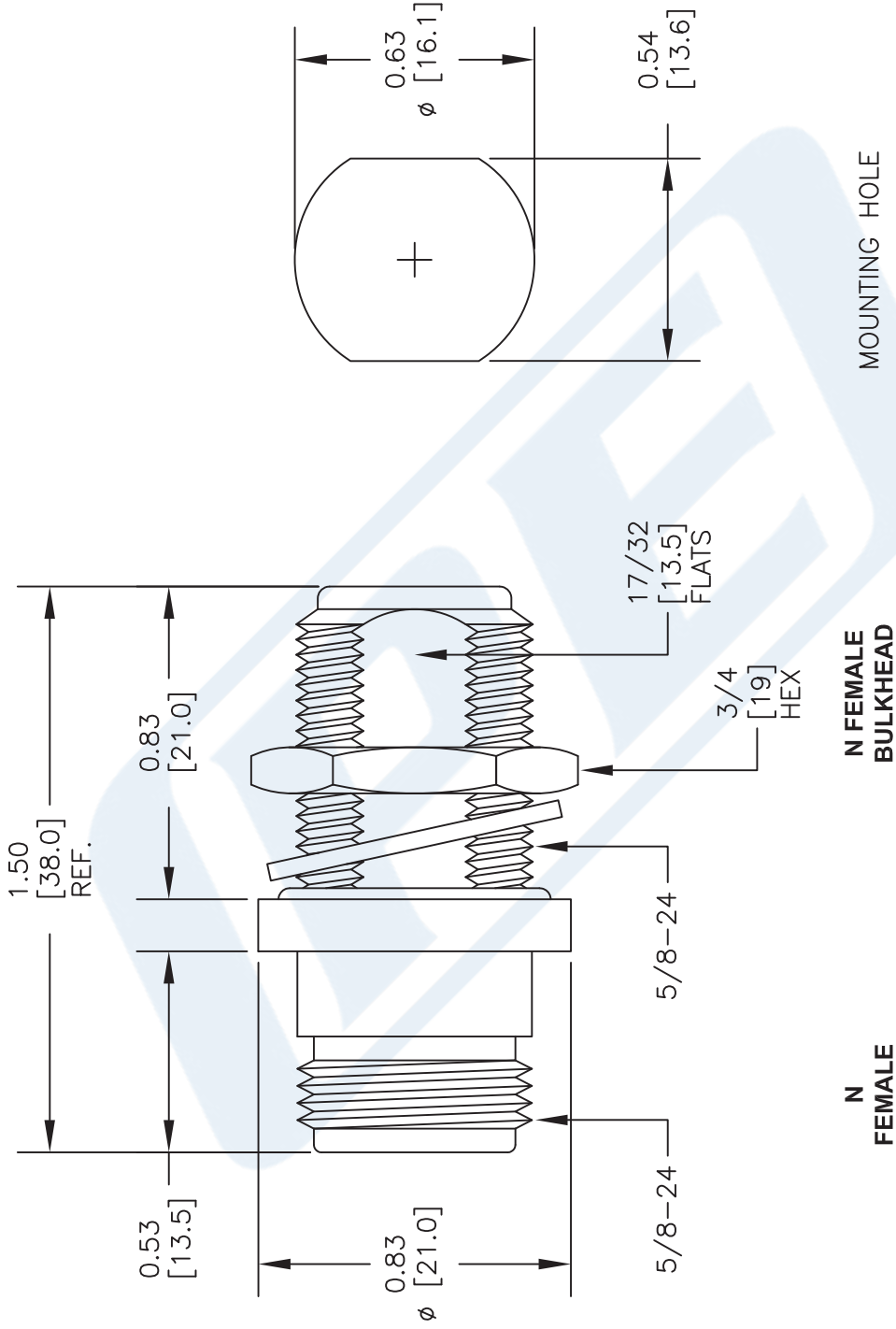
Click the following link (or enter part number in "SEARCH" on website) to obtain additional part information including price, inventory and certifications: [Bulkhead N Female to N Female Adapter IP67 Mated PE91201](http://www.pasternack.com/n-female-n-female-straight-adapter-pe91201-p.aspx)

URL: <http://www.pasternack.com/n-female-n-female-straight-adapter-pe91201-p.aspx>

The information contained in this document is accurate to the best of our knowledge and representative of the part described herein. It may be necessary to make modifications to the part and/or the documentation of the part, in order to implement improvements. Pasternack reserves the right to make such changes as required. Unless otherwise stated, all specifications are nominal. Pasternack does not make any representation or warranty regarding the suitability of the part described herein for any particular purpose, and Pasternack does not assume any liability arising out of the use of any part or documentation.

PE91201 CAD Drawing

Bulkhead N Female to N Female Adapter IP67 Mated



DWG TITLE

PE91201

NOTES:
 1. UNLESS OTHERWISE SPECIFIED ALL DIMENSIONS ARE NOMINAL.
 2. ALL SPECIFICATIONS ARE SUBJECT TO CHANGE WITHOUT NOTICE AT ANY TIME.
 3. DIMENSIONS ARE IN INCHES [mm].

FSCM NO. 53919

CAD FILE 070214

SCALE N/A

SIZE A

2233



THE ENGINEER'S RF SOURCE

Pasternack Enterprises, Inc.

P.O. Box 16759 | Irvine | CA | 92623

Phone: (949) 261-1920 | Fax: (949) 261-7451

Website: www.pasternack.com | E-Mail: sales@pasternack.com