

BBS-3015-F

Heat Pipe, Fanless PC with P-M/C-M, 4 COM, 5 USB, 12V DC Adapter

Bare Bone



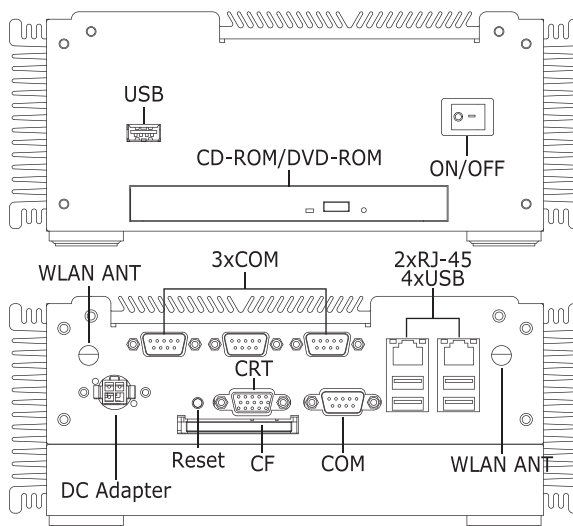
Features

- » Heat pipe, fanless PC design
- » Supports Intel® Pentium® M/Celeron® M processor TDP ≤ 24.5W
- » VGA, dual Ethernet port
- » USB Wireless LAN module
- » 1 x 2.5" HDD space, 1 x slim CD-ROM space
- » 1 x CF, 1 x mini PCI socket
- » 4 x COM port, 5 x USB2.0 port
- » 12V DC adapter

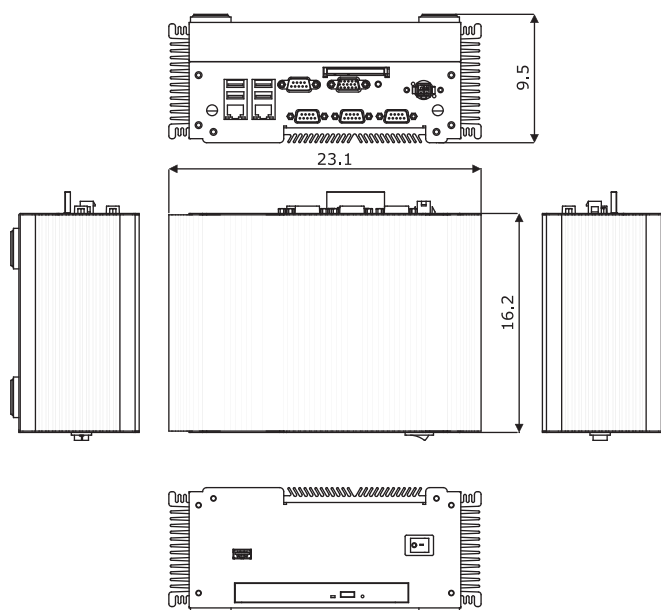
System

- SBC**
HS-2610
- CPU**
Intel® Pentium® M processor 1.6/1.8GHz or Intel® Celeron® M processor 1.5GHz (option)
- System Chipset**
Intel® 852GME/ICH4
- System Memory**
1 x 200-pin SO-DIMM, DDR 333MHz, Max. 1GB
- Display Interface:**
1 x D-SUB 15-pin
- Ethernet Interface**
2 x RJ-45 for Ethernet
1 x USB wireless LAN module
- Storage**
1 x 2.5" HDD space
1 x slim CD-ROM space
1 x Type II CF socket
- Expansion Interface**
1 x Type III mini PCI socket
- Watchdog Timer**
Software programmable time-out intervals from 1~255 sec. or 1~255min.
- H/W Status Monitor**
Monitoring temperatures, voltages status
- Thermal System**
Heat pipe
- Power**
12V 60W DC adapter
+10~30V DC IN (option)
- Operating/Storage Temperature**
0~45°C/-20~+70°C
- Certification**
FCC/CE Class A compliance
- Dimensions**
23.2(L) x 9.3(H) x 16.2(W) cm

I/O Interface



Dimensions (unit:cm)



Ordering Information

- BBS-3015-F/5 USB**
Heat Pipe, Fanless PC w/Wireless LAN Module, 4 COM, 5 USB, 12V DC Adapter
- BBS-3015-F/6 USB (by order)**
Heat Pipe, Fanless PC w/4 COM, 6 USB, 12V DC Adapter

- Accessory Options**
CPU, Memory Module, CF Module, 2.5" HDD, Slim CD-ROM