

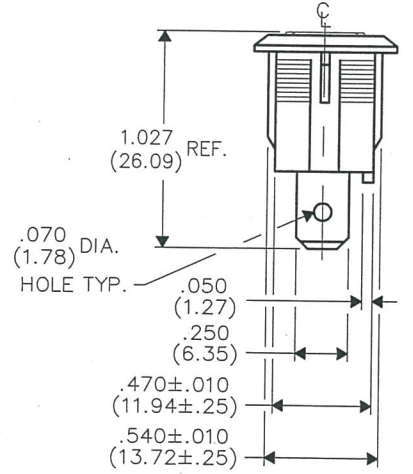
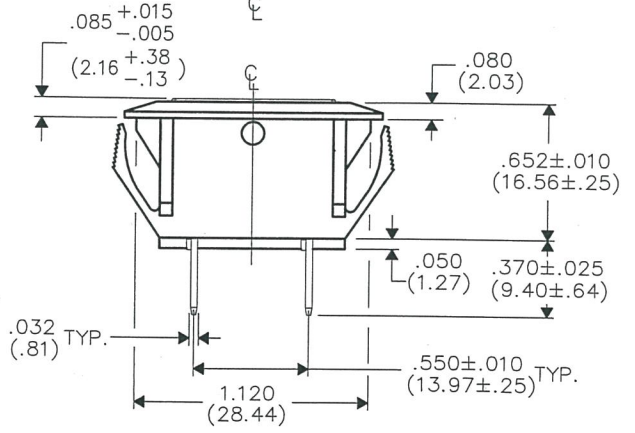
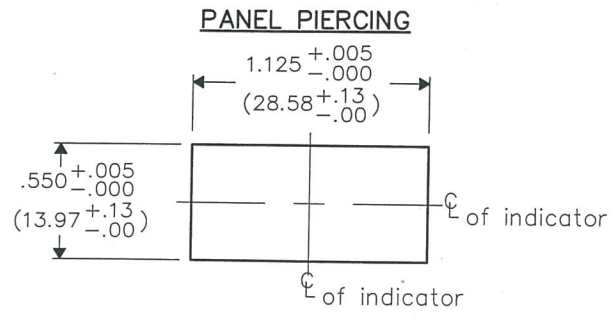
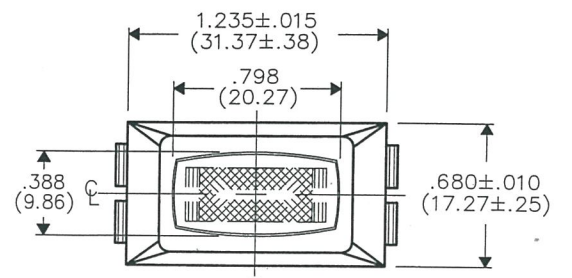
F
 D
 C
 B
 A

THIS INFORMATION IS CONFIDENTIAL AND PROPRIETARY TO CW INDUSTRIES INCORPORATED AND ITS AFFILIATES. IT MAY NOT BE DISCLOSED TO ANYONE, OTHER THAN CW INDUSTRIES PERSONNEL, WITHOUT WRITTEN AUTHORIZATION FROM CW INDUSTRIES INCORPORATED, SOUTHAMPTON, PENNSYLVANIA, USA.

DIMENSIONS IN INCHES (MILLIMETERS)
 DO NOT SCALE DRAWING

Dwg. No. **GIL-2000-2017 Thru -2025**

Sheet 1 of 2



MATERIALS:

HOUSING: Black, Nylon 6/6 UL94V2
 TERMINALS: Copper Alloy
 LENS: Polycarbonate UL94V2
 Red, Amber or Green Options available.

SPECIFICATIONS:

LAMP TYPE: 14V & 28V - Incandescent
 125V - Neon
 LAMP LIFE: 10,000 Hrs. Minimum
 OPERATING TEMP: -40°C to +105°C Max.
 LEAD FREE/RoHS COMPLIANT

(Ref. Chart on Sheet 2 for Part No. and Specifications.)

| | | | | | | | | | |
|---------------|-----------|-----|-------------|-----------|---------|--|--|--|--|
| B-FORMAT 2002 | REVISIONS | NEW | DGW 7-09-15 | <i>CA</i> | 7/10/15 | | | | |
|---------------|-----------|-----|-------------|-----------|---------|--|--|--|--|

| | | | |
|--|-----------------------------------|---|---------------------|
| CW INDUSTRIES Southampton, Pa. 18966 | | Title: PANEL MOUNT INDICATOR LIGHT 14/28/125 VOLT. | |
| TOLERANCES UNLESS OTHERWISE SPECIFIED | | METRIC | |
| 2 Place Decimal ±.010 | 3 Place Decimal ±.005 | 1 Place Dec. ±.25mm | 2 Place Dec. ±.13mm |
| Angles ±1° | | | |
| Made for: CW Ind. | Division: SWITCH | | |
| Drawn by: DGW 7-09-15 | Dwg. No. GIL-2000-2017 Thru -2025 | | Sheet 1 of 2 |
| Checked by: <i>G. GOLD 7-9-15</i> | Approval: <i>CA 7/10/15</i> | | |

MASTER

F
 D
 C
 B
 A

THIS INFORMATION IS CONFIDENTIAL AND PROPRIETARY TO CW INDUSTRIES INCORPORATED AND ITS AFFILIATES. IT MAY NOT BE DISCLOSED TO ANYONE OTHER THAN CW INDUSTRIES PERSONNEL, WITHOUT WRITTEN AUTHORIZATION FROM CW INDUSTRIES INCORPORATED, SOUTHAMPTON, PENNSYLVANIA USA.

DIMENSIONS IN INCHES (MILLIMETERS)
 DO NOT SCALE DRAWING

Dwg. No.
GIL-2000-2017 Thru -2025

Sheet
 2
 of
 2

| PART NO. | VOLTAGE RATING | LENS COLOR MATERIAL | HOUSING COLOR MATERIAL | LAMP TYPE | PART NO. | VOLTAGE RATING | LENS COLOR MATERIAL | HOUSING COLOR MATERIAL | LAMP TYPE |
|---------------|----------------|---------------------|------------------------|-----------|---------------|----------------|---------------------|------------------------|-----------|
| GIL-2000-2017 | 14V | RED POLYCARBONATE | BLACK NYLON 6/6 | INCAND. | GIL-2000-2023 | 14V | GREEN POLYCARBONATE | BLACK NYLON 6/6 | INCAND. |
| GIL-2000-2018 | 28V | RED POLYCARBONATE | BLACK NYLON 6/6 | INCAND. | GIL-2000-2024 | 28V | GREEN POLYCARBONATE | BLACK NYLON 6/6 | INCAND. |
| GIL-2000-2019 | 125V | RED POLYCARBONATE | BLACK NYLON 6/6 | NEON | GIL-2000-2025 | 125V | GREEN POLYCARBONATE | BLACK NYLON 6/6 | NEON |
| GIL-2000-2020 | 14V | AMBER POLYCARBONATE | BLACK NYLON 6/6 | INCAND. | | | | | |
| GIL-2000-2021 | 28V | AMBER POLYCARBONATE | BLACK NYLON 6/6 | INCAND. | | | | | |
| GIL-2000-2022 | 125V | AMBER POLYCARBONATE | BLACK NYLON 6/6 | NEON | | | | | |

1 2 3 4 5 6 7 8 9 10

B-FORMAT 2002
REVISIONS
 NEW.
 DGW 7-09-15
CE 7/14/15

CW INDUSTRIES
 Southampton, Pa. 18966
TOLERANCES UNLESS OTHERWISE SPECIFIED
 2 Place Decimal ±.010 METRIC
 3 Place Decimal ±.005 1 Place Dec. ±.25mm
 Angles ±1' 2 Place Dec. ±.13mm
 Made for: CW Ind.
 Drawn by: DGW 7-09-15
 Checked by: *G. GULD 7-9-15*
 Approval: *C. H. ... 7/14/15*

Title: **PANEL MOUNT INDICATOR LIGHT 14/28/125 VOLT. CHART**
 Division: **SWITCH**
 Dwg. No. **GIL-2000-2017 Thru -2025**
 Sheet 2 of 2

MASTER