

AC TO DC LED DRIVER

BPHE010CXXX Series Class 2 Power unit



FEATURES

- ◆ Suitable for Hi-Power LED Lighting Applications.
- ◆ Universal AC Input /Full range
- ◆ DC Output with Constant Current
- ◆ Safety: UL1310; EN60950-1; CB
- ◆ EMC: CE; EN55022; EN55024
- ◆ Comply with Indoor/Outdoor Waterproof (IP 67)
- ◆ MTBF: 100,000 hrs/25°C
- ◆ High Reliability

Electrical Specifications @25°C

Input	Voltage range	100~240Vac
	Frequency range	50/60Hz
	Efficiency (Typ.)	56%~80%
	AC current	0.25A (Max.)
	Inrush current	40A/230Vac cold start
	Leakage current	0.7mA/264Vac/60Hz
Function	Protection	Short-circuit ;OVP; OTP;Constant Current
Environment	Operating ambient Temp.	-20°C ~+60°C
	Operating relative Hum.	Comply with indoor/outdoor waterproof (IP67)
	Storage ambient Temp.	-40°C ~+80°C
	Storage relative Hum.	Comply with indoor/outdoor waterproof (IP67)
Others	MTBF	100,000 hrs/25°C
	Safety & EMC	UL1310; EN60950-1; CB & CE; EN55022; EN55024
	RoHS	YES
	Dimension (mm) L*W*H	97.5*40*30(with screw hold)

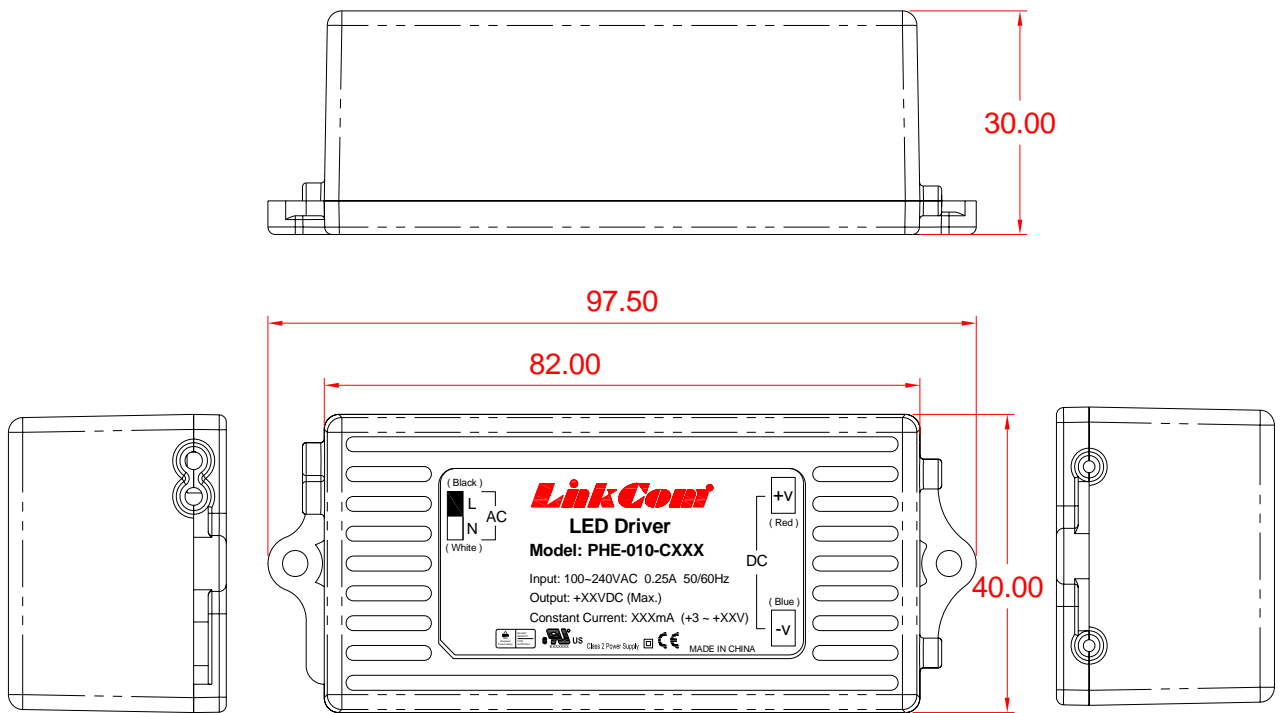
BPHE010Cxxx Series List

Model No.	DC Output Voltage	DC Output Current	Watt Max.	Remark
BPHE010C201	3~48V	200mA	9.6W	
BPHE010C301	3~34V	300mA	10.2W	
BPHE010C351	3~30V	350mA	10.5W	
BPHE010C401	3~25V	400mA	10.0W	
BPHE010C501	3~20V	500mA	10.0W	
BPHE010C601	3~17V	600mA	10.2W	
BPHE010C701	3~15V	700mA	10.5W	
BPHE010C751	3~13V	750mA	9.8W	
BPHE010C801	3~12V	800mA	9.6W	

AC TO DC LED DRIVER

BPHE010CXXX Series Class 2 Power unit

DIMENSIONS [mm]



Unit: mm