



# Low Capacitance, +12 V / +5 V / +3 V, Triple SPDT (Triple 2:1) Analog Switch / Multiplexer

## DESCRIPTION

The DG9454E is a high precision triple SPDT (triple 2:1) analog switch / multiplexer with enhanced performance on low power consumption. The part features low parasitic capacitance, low leakage, and low charge injection over the full signal range which make it an ideal switch for healthcare, data acquisition, and instrument products. Its compact size, light weight, low power consumption, and low voltage control capability are of advantages in portable consumer applications such as goggles.

The DG9454E is designed to operate from a 3 V to 16 V supply at V+, and 2.5 V to 5.5 V at VL, while guarantees 1.8 V logic compatible over the full operation voltage range.

Processed with advanced CMOS technology, the DG9454E conducts equally well in both directions, offers rail to rail analog signal handling and can be used both as a multiplexer as well as a de-multiplexer.

The DG9454E operating temperature is specified from -40 °C to +125 °C. It is available in ultra-compact 1.8 mm x 2.6 mm miniQFN16 package of lead (Pb)-free nickel-palladium-gold device termination. It is represented by the lead (Pb)-free “-E4” suffix. The nickel-palladium-gold device terminations meet all JEDEC® standards for reflow and MSL ratings.

## FEATURES

- Operates with V+ = 3 V to 16 V, VL = 2.5 V to 5.5 V
- Guaranteed 1.8 V logic control at full V+ range
- Low power consumption, both I+ and IL < 1 µA
- Low parasitic capacitance:
  - CD(ON): 8.8 pF
  - CD(OFF): 4 pF
  - CS(OFF): 3.1 pF
- High bandwidth: 356 MHz
- Low charge injection over the full signal range
- Compact miniQFN16 package (1.8 mm x 2.6 mm x 0.55 mm)
- Material categorization: for definitions of compliance please see [www.vishay.com/doc?99912](http://www.vishay.com/doc?99912)



RoHS COMPLIANT HALOGEN FREE

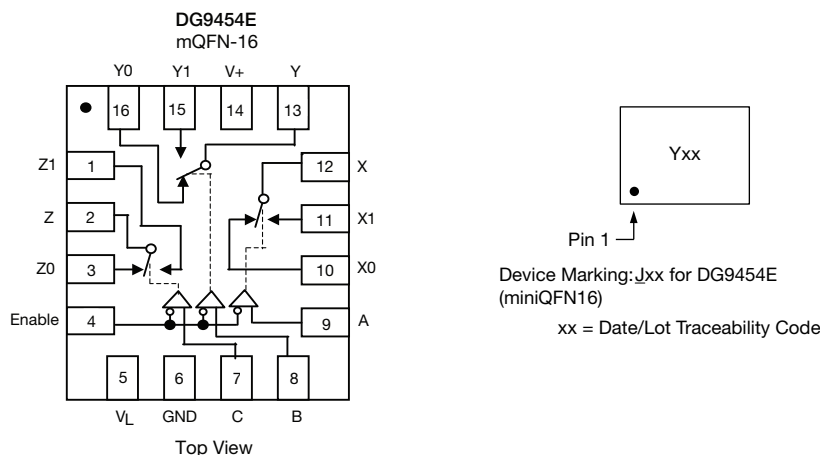
## APPLICATIONS

- Medical and healthcare systems
- Data acquisition systems
- Meters and instruments
- Games and Goggles
- Automatic test equipment
- Process control and automation
- Communication systems
- Battery powered systems

## BENEFITS

- Low power consumption
- Precision switching
- Low voltage logic interface
- Bi-directional rail to rail signal switching
- Compact package option
- Extended operation temperature range

## FUNCTIONAL BLOCK DIAGRAM AND PIN CONFIGURATION





TRUTH TABLE				
ENABLE INPUT	SELECT INPUTS			ON SWITCHES
	C	B	A	DG9454E
H	X	X	X	All Switches Open
L	L	L	L	X to X0, Y to Y0, Z to Z0
L	L	L	H	X to X1, Y to Y0, Z to Z0
L	L	H	L	X to X0, Y to Y1, Z to Z0
L	L	H	H	X to X1, Y to Y1, Z to Z0
L	H	L	L	X to X0, Y to Y0, Z to Z1
L	H	L	H	X to X1, Y to Y0, Z to Z1
L	H	H	L	X to X0, Y to Y1, Z to Z1
L	H	H	H	X to X1, Y to Y1, Z to Z1

ORDERING INFORMATION			
TEMP. RANGE	PACKAGE	PART NUMBER	MIN. ORDER / PACK. QUANTITY
-40 °C to +85 °C lead (Pb)-free	16-Pin miniQFN	DG9454EEN-T1-GE4	Tape and reel, 3000 units

ABSOLUTE MAXIMUM RATINGS (T <sub>A</sub> = 25 °C, unless otherwise noted)		
PARAMETER	LIMIT	UNIT
Digital Inputs <sup>a</sup> , V <sub>S</sub> , V <sub>D</sub> , V <sub>L</sub>	GND - 0.3 to (V <sub>+</sub> ) + 0.3 or 30 mA, whichever occurs first	V
V <sub>+</sub> to GND	-0.3 to +18	
Continuous Current (any terminal)	30	mA
Peak Current, S or D (pulsed 1 ms, 10 % duty cycle)	100	
Storage Temperature	-65 to +150	°C
Power Dissipation <sup>b</sup>	16-Pin miniQFN <sup>c, d</sup>	mW
Thermal Resistance <sup>b</sup>	16-Pin miniQFN <sup>d</sup>	°C/W
Latch-Up (per JEDEC78)	100	mA
ESD Human Body Model (HBM); per ANSI / ESDA / JEDEC JS-001	2500	V

**Notes**

- Signals on SX, DX, V<sub>L</sub> or INX exceeding V<sub>+</sub> will be clamped by internal diodes. Limit forward diode current to maximum current ratings.
- All leads welded or soldered to PC board.
- Derate 6.6 mW/°C above 70 °C.
- Manual soldering with iron is not recommended for leadless components. The miniQFN-16 is a leadless package. The end of the lead terminal is exposed copper (not plated) as a result of the singulation process in manufacturing. A solder fillet at the exposed copper lip cannot be guaranteed and is not required to ensure adequate bottom side solder interconnection.

Stresses beyond those listed under "Absolute Maximum Ratings" may cause permanent damage to the device. These are stress ratings only, and functional operation of the device at these or any other conditions beyond those indicated in the operational sections of the specifications is not implied. Exposure to absolute maximum rating conditions for extended periods may affect device reliability.



SPECIFICATIONS FOR UNIPOLAR SUPPLIES											
PARAMETER	SYMBOL	TEST CONDITIONS UNLESS OTHERWISE SPECIFIED V <sub>+</sub> = 12 V, V <sub>L</sub> = 2.7 V V <sub>IN(A, B, C and enable)</sub> = 1.8 V, 0.5 V <sup>a</sup>	TEMP. <sup>b</sup>	TYP. <sup>c</sup>	-40 °C to +125 °C		-40 °C to +85 °C		UNIT		
					MIN. <sup>d</sup>	MAX. <sup>d</sup>	MIN. <sup>d</sup>	MAX. <sup>d</sup>			
<b>Analog Switch</b>											
Analog Signal Range <sup>e</sup>	V <sub>ANALOG</sub>		Full	-	0	12	0	12	V		
On-Resistance	R <sub>ON</sub>	I <sub>S</sub> = 1 mA, V <sub>D</sub> = 0.7 V, 6 V, 11.3 V	Room	85	-	103	-	103	Ω		
			Full	-	-	133	-	125			
On-Resistance Match	ΔR <sub>ON</sub>	I <sub>S</sub> = 1 mA, V <sub>D</sub> = 0.7 V, 11.3 V	Room	1.24	-	8	-	8	Ω		
			Full	-	-	8	-	8			
On-Resistance Flatness	R <sub>FLATNESS</sub>	I <sub>S</sub> = 1 mA, V <sub>D</sub> = 0.7 V, 6 V, 11.3 V	Room	27	-	37	-	37	Ω		
			Full	-	-	44	-	43			
Switch Off Leakage Current	I <sub>S(off)</sub>	V <sub>+</sub> = 13.2 V, V <sub>L</sub> = 2.7 V V <sub>D</sub> = 1 V / 12.2 V, V <sub>S</sub> = 12.2 V / 1 V	Room	± 0.05	-1	1	-1	1	nA		
			Full	-	-50	50	-5	5			
	I <sub>D(off)</sub>		Room	± 0.07	-1	1	-1	1			
			Full	-	-50	50	-5	5			
Channel On Leakage Current	I <sub>D(on)</sub>	V <sub>+</sub> = 13.2 V, V <sub>L</sub> = 2.7 V V <sub>D</sub> = V <sub>S</sub> = 1 V / 12.2 V	Room	± 0.07	-1	1	-1	1	nA		
			Full	-	-50	50	-5	5			
<b>Digital Control</b>											
Logic Low Input Voltage	V <sub>INL</sub>	V <sub>L</sub> = 2.7 V	Full	-	-	0.5	-	0.5	V		
Logic High Input Voltage	V <sub>INH</sub>		Full	-	1.8	-	1.8	-			
Logic Low Input Current	I <sub>L</sub>	V <sub>IN(A0, A1, A2 and enable)</sub> under test = 0.5 V	Full	0.02	-1	1	-1	1	μA		
Logic High Input current	I <sub>H</sub>	V <sub>IN(A0, A1, A2 and enable)</sub> under test = 1.8 V	Full	0.02	-1	1	-1	1			
<b>Dynamic Characteristics</b>											
Transition Time	t <sub>TRANS</sub>	R <sub>L</sub> = 300 Ω, C <sub>L</sub> = 35 pF see Fig. 1, 2, 3	Room	79	-	119	-	119	ns		
			Full	-	-	134	-	126			
Enable Turn-On Time	t <sub>ON(EN)</sub>		Room	70	-	110	-	110			
			Full	-	-	130	-	116			
Enable Turn-Off Time	t <sub>OFF(EN)</sub>		Room	51	-	91	-	91			
			Full	-	-	95	-	94			
Break-Before-Make Time Delay	t <sub>D</sub>		Room	17	-	-	-	-			
			Full	-	1	-	1	-			
Charge Injection <sup>e</sup>	Q		C <sub>L</sub> = 1 nF, R <sub>GEN</sub> = 0 Ω, V <sub>GEN</sub> = 0 V	Full	5.84	-	-	-		-	pC
Off Isolation <sup>e</sup>	OIRR		f = 1 MHz, R <sub>L</sub> = 50 Ω, C <sub>L</sub> = 5 pF	100 kHz	Room	-95	-	-		-	-
		1 MHz		Room	-85	-	-	-	-		
		10 MHz		Room	-65	-	-	-	-		
Crosstalk <sup>e</sup>	X <sub>TALK</sub>	100 kHz		Room	-92	-	-	-	-		
		1 MHz		Room	-73	-	-	-	-		
		10 MHz		Room	-53	-	-	-	-		
Bandwidth, -3 dB <sup>e</sup>	BW	R <sub>L</sub> = 50 Ω		Room	356	-	-	-	-	MHz	
Source Off Capacitance <sup>e</sup>	C <sub>S(off)</sub>	f = 1 MHz		Room	3.1	-	-	-	-	pF	
Drain Off Capacitance <sup>e</sup>	C <sub>D(off)</sub>			Room	4	-	-	-	-		
Channel On Capacitance <sup>e</sup>	C <sub>D(on)</sub>		Room	8.8	-	-	-	-			
Total Harmonic Distortion <sup>e</sup>	THD	Signal = 1 V <sub>RMS</sub> , 20 Hz to 20 kHz, R <sub>L</sub> = 600 Ω	Room	0.075	-	-	-	-	%		



SPECIFICATIONS FOR UNIPOLAR SUPPLIES									
PARAMETER	SYMBOL	TEST CONDITIONS UNLESS OTHERWISE SPECIFIED V <sub>+</sub> = 12 V, V <sub>L</sub> = 2.7 V V <sub>IN(A, B, C and enable)</sub> = 1.8 V, 0.5 V <sup>a</sup>	TEMP. <sup>b</sup>	TYP. <sup>c</sup>	-40 °C to +125 °C		-40 °C to +85 °C		UNIT
					MIN. <sup>d</sup>	MAX. <sup>d</sup>	MIN. <sup>d</sup>	MAX. <sup>d</sup>	
<b>Power Supply</b>									
Power Supply Range	I <sub>+</sub>	V <sub>IN(A, B, C and enable)</sub> = 0 V or 12 V	Room	0.05	-	1	-	1	μA
			Full	-	-	10	-	10	
Ground Current	I <sub>GND</sub>	V <sub>L</sub> = 2.7 V	Room	0.05	-1	-	-1	-	
			Full	-	-10	-	-10	-	
Logic Supply Current	I <sub>L</sub>		Room	0.05	-	1	-	1	
			Full	-	-	10	-	10	

**Notes**

- a. V<sub>IN</sub> = input voltage to perform proper function.
- b. Room = 25 °C, Full = as determined by the operating temperature suffix.
- c. Typical values are for DESIGN AID ONLY, not guaranteed nor subject to production testing.
- d. The algebraic convention whereby the most negative value is a minimum and the most positive a maximum, is used in this datasheet.
- e. Guaranteed by design, not subject to production test.



SPECIFICATIONS FOR UNIPOLAR SUPPLIES											
PARAMETER	SYMBOL	TEST CONDITIONS UNLESS OTHERWISE SPECIFIED V+ = 5 V, VL = 2.7 V VIN(A, B, C and enable) = 1.8 V, 0.5 V <sup>a</sup>	TEMP. <sup>b</sup>	TYP. <sup>c</sup>	-40 °C to +125 °C		-40 °C to +85 °C		UNIT		
					MIN. <sup>d</sup>	MAX. <sup>d</sup>	MIN. <sup>d</sup>	MAX. <sup>d</sup>			
<b>Analog Switch</b>											
Analog Signal Range <sup>e</sup>	V <sub>ANALOG</sub>		Full	-	0	5	0	5	V		
On-Resistance	R <sub>ON</sub>	I <sub>S</sub> = 1 mA, V <sub>D</sub> = 0 V, 3.5 V	Room	125	-	147	-	147	Ω		
			Full	-	-	176	-	168			
On-Resistance Match	ΔR <sub>ON</sub>	I <sub>S</sub> = 1 mA, V <sub>D</sub> = 3.5 V	Room	1.33	-	8	-	8	Ω		
			Full	-	-	8	-	8			
On-Resistance Flatness	R <sub>FLATNESS</sub>	I <sub>S</sub> = 1 mA, V <sub>D</sub> = 0 V, 3 V	Room	21	-	31	-	31	Ω		
			Full	-	-	25	-	29			
Switch Off Leakage Current	I <sub>S(off)</sub>	V+ = 5.5 V, V- = 0 V V <sub>D</sub> = 1 V / 4.5 V, V <sub>S</sub> = 4.5 V / 1 V	Room	± 0.03	-1	1	-1	1	nA		
			Full	-	-50	50	-5	5			
	Room		± 0.03	-1	1	-1	1				
	Full		-	-50	50	-5	5				
Channel On Leakage Current	I <sub>D(on)</sub>	V+ = 5.5 V, V- = 0 V V <sub>D</sub> = V <sub>S</sub> = 1 V / 4.5 V	Room	± 0.03	-1	1	-1	1	nA		
			Full	-	-50	50	-5	5			
<b>Digital Control</b>											
V <sub>IN(A, B, C and enable)</sub> LOW	V <sub>IL</sub>	V <sub>L</sub> = 2.7 V	Full	-	-	0.6	-	0.6	V		
V <sub>IN(A, B, C and enable)</sub> High	V <sub>IH</sub>	V <sub>L</sub> = 2.7 V	Full	-	1.8	-	1.8	-	V		
Input Current, V <sub>IN</sub> Low	I <sub>L</sub>	V <sub>IN(A, B, C and enable)</sub> under test = 0.6 V	Full	0.02	-1	1	-1	1	μA		
Input Current, V <sub>IN</sub> High	I <sub>H</sub>	V <sub>IN(A, B, C and enable)</sub> under test = 1.8 V	Full	0.02	-1	1	-1	1	μA		
<b>Dynamic Characteristics</b>											
Transition Time	t <sub>TRANS</sub>	R <sub>L</sub> = 300 Ω, C <sub>L</sub> = 35 pF see Fig. 1, 2, 3	Room	95	-	135	-	135	ns		
			Full	-	-	164	-	152			
Enable Turn-On Time	t <sub>ON</sub>		Room	80	-	120	-	120			
			Full	-	-	138	-	129			
Enable Turn-Off Time	t <sub>OFF</sub>		Room	58	-	98	-	98			
			Full	-	-	106	-	103			
Break-Before-Make Time Delay	t <sub>D</sub>		Room	45	-	-	-	-			
			Full	-	24	-	15	-			
Charge Injection <sup>e</sup>	Q		V <sub>g</sub> = 0 V, R <sub>g</sub> = 0 Ω, C <sub>L</sub> = 1 nF	Full	1.44	-	-	-		-	pC
Off Isolation <sup>e</sup>	OIRR		R <sub>L</sub> = 50 Ω, C <sub>L</sub> = 5 pF f = 100 kHz	Room	-95	-	-	-		-	dB
Channel-to-Channel Crosstalk <sup>e</sup>	X <sub>TALK</sub>	Room		-92	-	-	-	-			
Source Off Capacitance <sup>e</sup>	C <sub>S(off)</sub>	f = 1 MHz	Room	3.5	-	-	-	-	pF		
Drain Off Capacitance <sup>e</sup>	C <sub>D(off)</sub>		Room	4.5	-	-	-	-			
Channel On Capacitance <sup>e</sup>	C <sub>D(on)</sub>		Room	10.2	-	-	-	-			
<b>Power Supply</b>											
Power Supply Current	I <sub>+</sub>	V <sub>IN(A, B, C and enable)</sub> = 0 V or 5 V	Room	0.05	-	1	-	1	μA		
			Full	-	-	10	-	10			
Ground Current	I <sub>GND</sub>		Room	-0.05	-1	-	-1	-			
			Full	-	-10	-	-10	-			
Logic Supply Current	I <sub>L</sub>		Room	0.05	-	1	-	1			
			Full	-	-	10	-	10			

**Notes**

- a. V<sub>IN</sub> = input voltage to perform proper function.
- b. Room = 25 °C, Full = as determined by the operating temperature suffix.
- c. Typical values are for DESIGN AID ONLY, not guaranteed nor subject to production testing.
- d. The algebraic convention whereby the most negative value is a minimum and the most positive a maximum, is used in this datasheet.
- e. Guaranteed by design, not subject to production test.

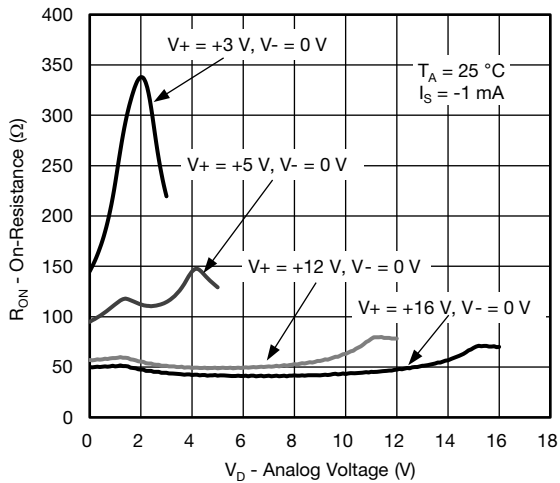


SPECIFICATIONS FOR UNIPOLAR SUPPLIES											
PARAMETER	SYMBOL	TEST CONDITIONS UNLESS OTHERWISE SPECIFIED V <sub>+</sub> = 3 V, V <sub>L</sub> = 2.7 V V <sub>IN(A, B, C AND ENABLE)</sub> = 1.5 V, 0.6 V <sup>a</sup>	TEMP. <sup>b</sup>	TYP. <sup>c</sup>	-40 °C to +125 °C		-40 °C to +85 °C		UNIT		
					MIN. <sup>d</sup>	MAX. <sup>d</sup>	MIN. <sup>d</sup>	MAX. <sup>d</sup>			
<b>Analog Switch</b>											
Analog Signal Range <sup>e</sup>	V <sub>ANALOG</sub>		Full	-	0	3	0	3	V		
On-Resistance	R <sub>ON</sub>	I <sub>S</sub> = 1 mA, V <sub>D</sub> = 1.5 V	Room	221	-	-	-	-	Ω		
			Full	-	-	-	-				
Switch Off Leakage Current	I <sub>S(off)</sub>	V <sub>+</sub> = 3.3 V, V <sub>L</sub> = 2.7 V V <sub>D</sub> = 0.3 V / 3 V, V <sub>S</sub> = 3 V / 0.3 V	Room	± 0.02	-1	1	-1	1	nA		
			Full	-	-50	50	-5	5			
	I <sub>D(off)</sub>		Room	± 0.02	-1	1	-1	1			
			Full	-	-50	50	-5	5			
Channel On Leakage Current	I <sub>D(on)</sub>	V <sub>+</sub> = 3.3 V, V <sub>L</sub> = 2.7 V V <sub>S</sub> = V <sub>D</sub> = 0.3 V / 3 V	Room	± 0.02	-1	1	-1	1			
			Full	-	-50	50	-5	5			
<b>Digital Control</b>											
Logic Low Input Voltage	V <sub>INL</sub>	V <sub>L</sub> = 2.7 V	Full	-	-	0.6	-	0.6	V		
Logic High Input Voltage	V <sub>INH</sub>		Full	-	1.8	-	1.8	-			
Logic Low Input Current	I <sub>L</sub>	V <sub>IN(A0, A1, A2 and enable)</sub> under test = 0.6 V	Full	0.02	-1	1	-1	1	μA		
Logic High Input Current	I <sub>H</sub>	V <sub>IN(A0, A1, A2 and enable)</sub> under test = 1.8 V	Full	0.02	-1	1	-1	1			
<b>Dynamic Characteristics</b>											
Transition Time	t <sub>TRANS</sub>	R <sub>L</sub> = 300 Ω, C <sub>L</sub> = 35 pF see Fig. 1, 2, 3	Room	161	-	-	-	-	ns		
			Full	-	-	-	-	-			
Enable Turn-On Time	t <sub>ON(EN)</sub>		Room	120	-	-	-	-			
			Full	-	-	-	-	-			
Enable Turn-Off Time	t <sub>OFF(EN)</sub>		Room	79	-	-	-	-			
			Full	-	-	-	-	-			
Break-Before-Make Time Delay	t <sub>D</sub>		Room	98	-	-	-	-			
			Full	-	-	-	-	-			
Charge Injection <sup>e</sup>	Q		C <sub>L</sub> = 1 nF, R <sub>GEN</sub> = 0 Ω, V <sub>GEN</sub> = 0 V	Full	0.58	-	-	-		-	pC
Off Isolation <sup>e</sup>	OIRR		f = 1 MHz, R <sub>L</sub> = 50 Ω, C <sub>L</sub> = 5 pF	Room	-95	-	-	-		-	dB
Crosstalk <sup>e</sup>	X <sub>TALK</sub>	Room		-92	-	-	-	-			
Source Off Capacitance <sup>e</sup>	C <sub>S(off)</sub>	f = 1 MHz	Room	3.7	-	-	-	-	pF		
Drain Off Capacitance <sup>e</sup>	C <sub>D(off)</sub>		Room	4.7	-	-	-	-			
Channel On Capacitance <sup>e</sup>	C <sub>D(on)</sub>		Room	10.4	-	-	-	-			
<b>Power Supply</b>											
Power Supply Range	I <sub>+</sub>	V <sub>IN (A, B, C and enable)</sub> = 0 V or 3 V	Room	0.05	-	1	-	1	μA		
			Full	-	-	10	-	10			
Ground Current	I <sub>GND</sub>		Room	0.05	-1	-	-1	-			
			Full	-	-10	-	-10	-			
Logic Supply Current	I <sub>L</sub>		Room	0.05	-	1	-	1			
			Full	-	-	10	-	10			

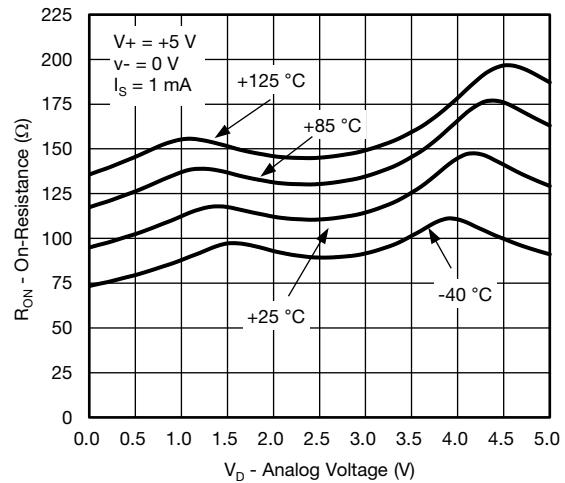
**Notes**

- a. V<sub>IN</sub> = input voltage to perform proper function.
- b. Room = 25 °C, Full = as determined by the operating temperature suffix.
- c. Typical values are for DESIGN AID ONLY, not guaranteed nor subject to production testing.
- d. The algebraic convention whereby the most negative value is a minimum and the most positive a maximum, is used in this datasheet.
- e. Guaranteed by design, not subject to production test.

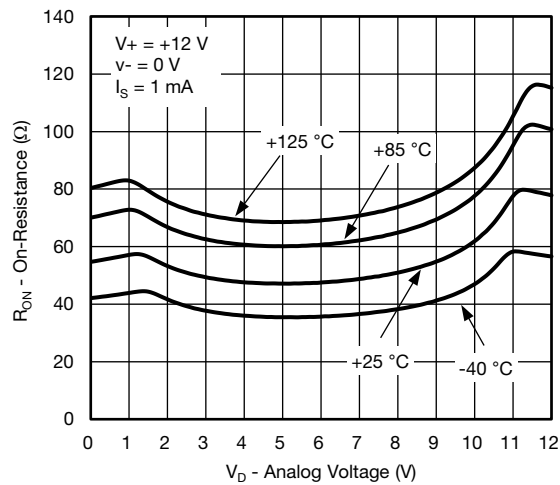
**TYPICAL CHARACTERISTICS** (25 °C, unless otherwise noted)



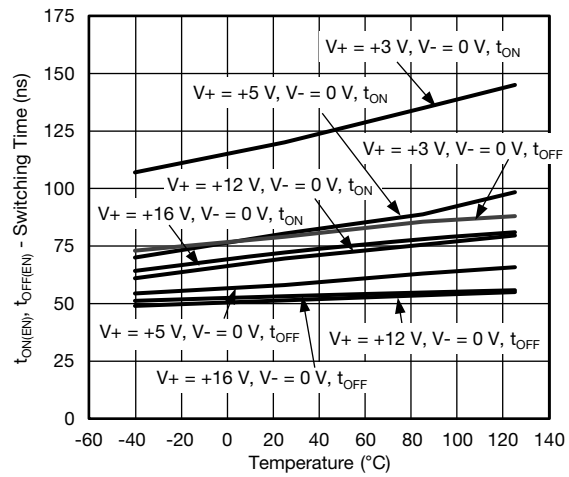
**On-Resistance vs.  $V_D$  and Signal Supply Voltage**



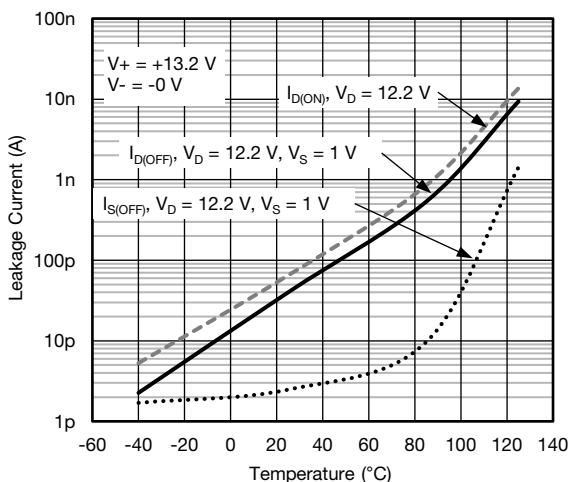
**On-Resistance vs. Analog Voltage and Temperature**



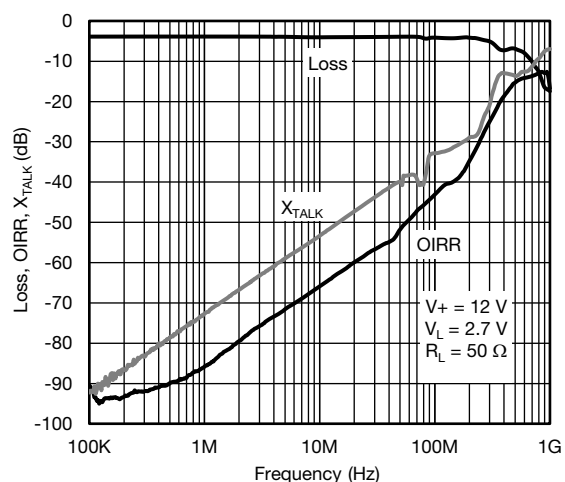
**On-Resistance vs. Analog Voltage and Temperature**



**Switching Time vs. Temperature**

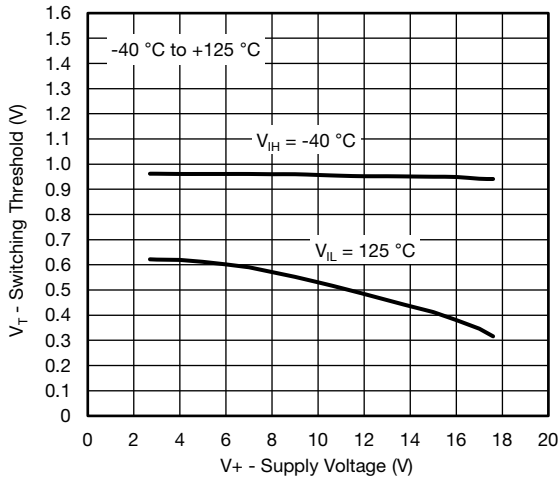


**Leakage Current vs. Temperature**

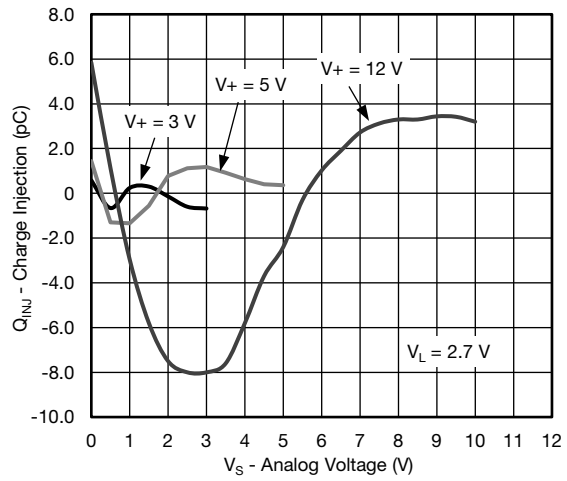


**Insertion Loss, Off-Isolation, Crosstalk vs. Frequency**

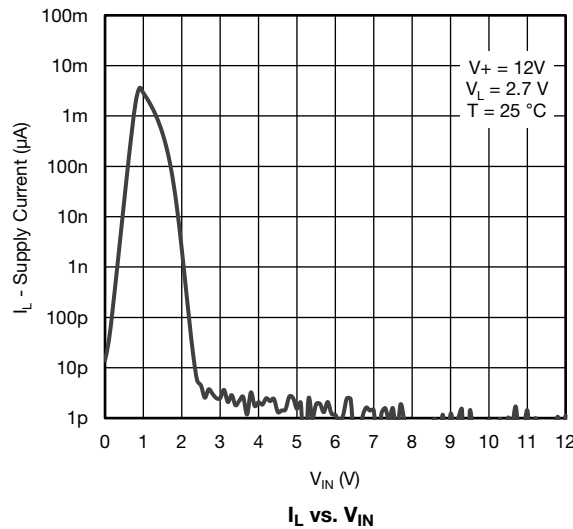
**TYPICAL CHARACTERISTICS** (25 °C, unless otherwise noted)



Switching Threshold vs. Logic Supply Voltage

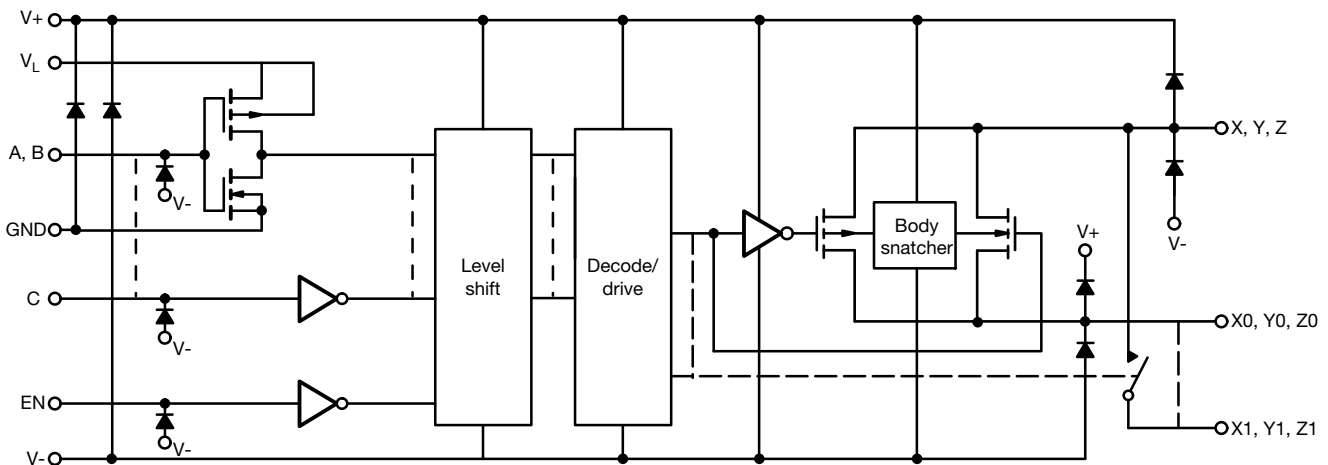


Charge Injection vs. Analog Voltage



I<sub>L</sub> vs. V<sub>IN</sub>

**SCHEMATIC DIAGRAM** (typical channel)



TEST CIRCUITS

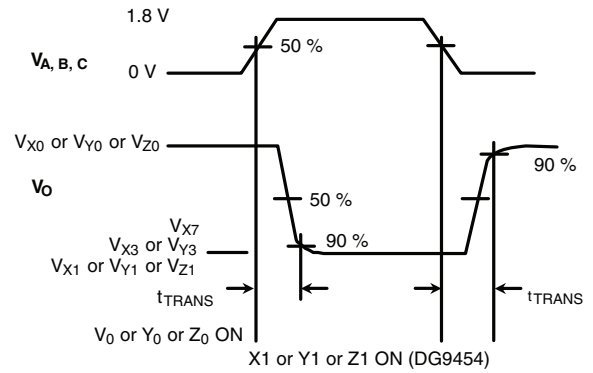
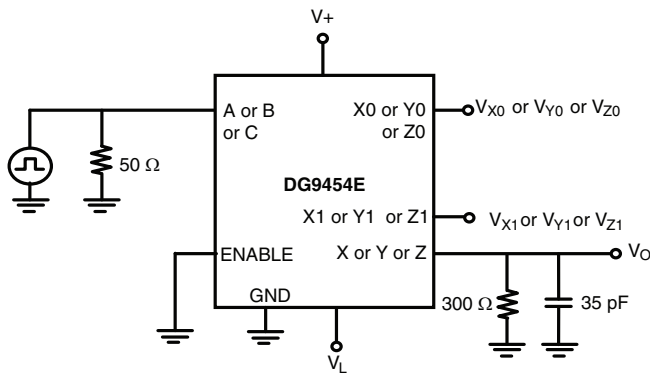


Fig. 1 - Transition Time

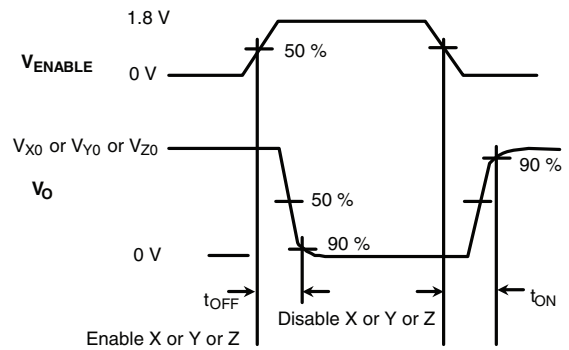
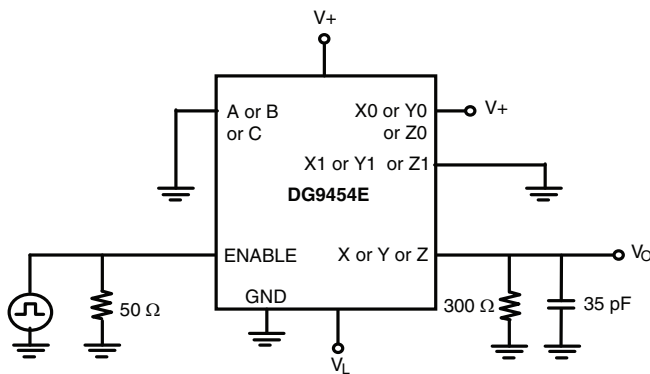


Fig. 2 - Enable Switching Time

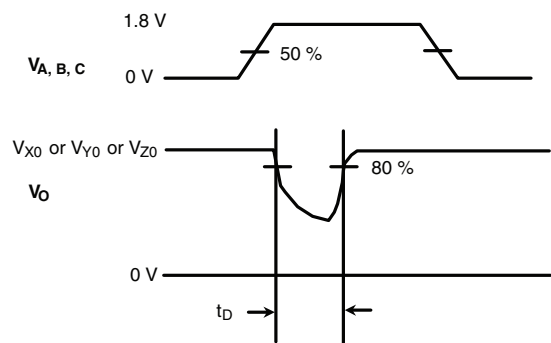
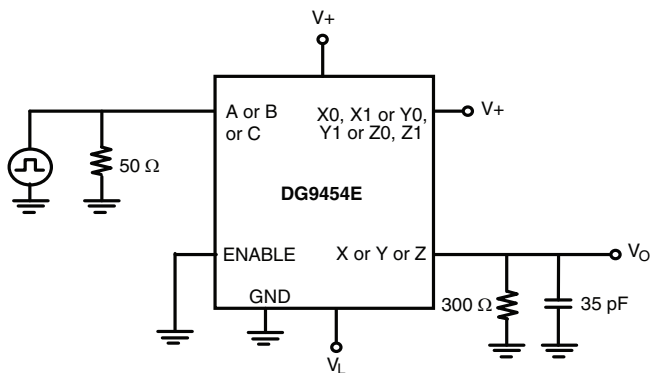


Fig. 3 - Break-Before-Make

TEST CIRCUITS

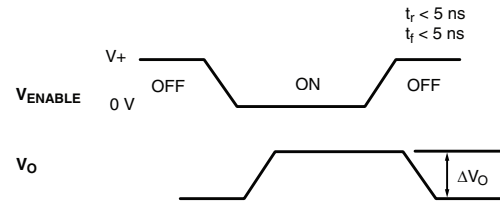
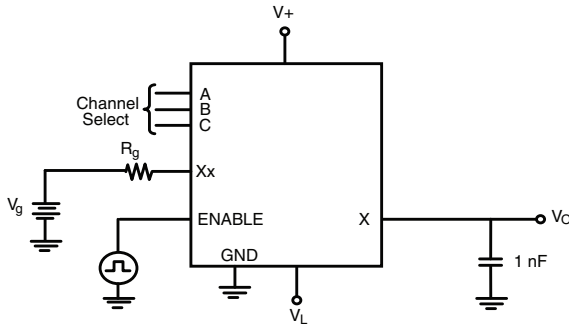
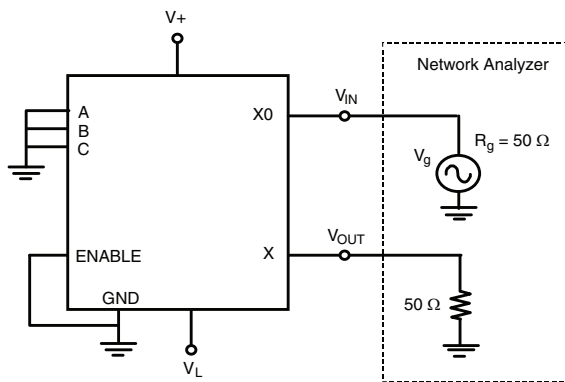
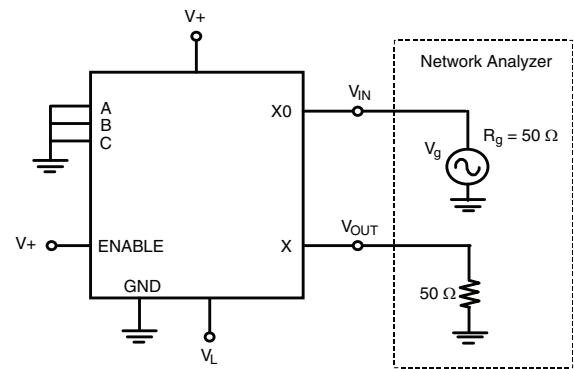


Fig. 4 - Charge Injection



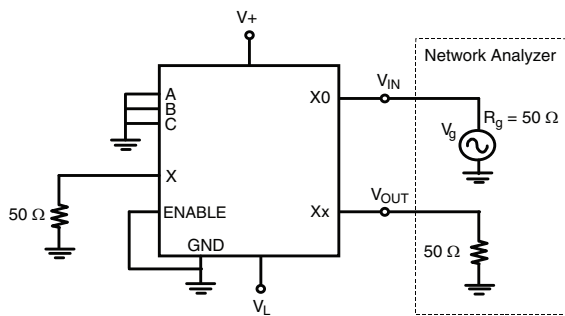
$$\text{Insertion Loss} = 20 \log \frac{V_{\text{OUT}}}{V_{\text{IN}}}$$

Fig. 5 - Insertion Loss



$$\text{Off Isolation} = 20 \log \frac{V_{\text{OUT}}}{V_{\text{IN}}}$$

Fig. 7 - Off Isolation



$$\text{Crosstalk} = 20 \log \frac{V_{\text{OUT}}}{V_{\text{IN}}}$$

Fig. 6 - Crosstalk

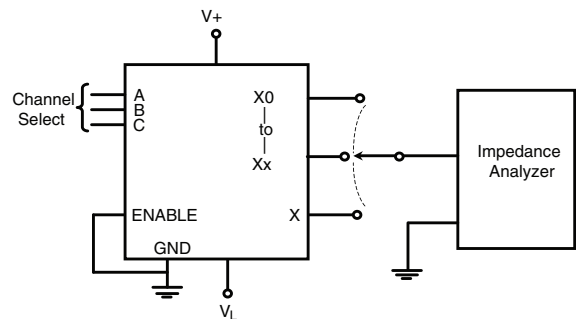
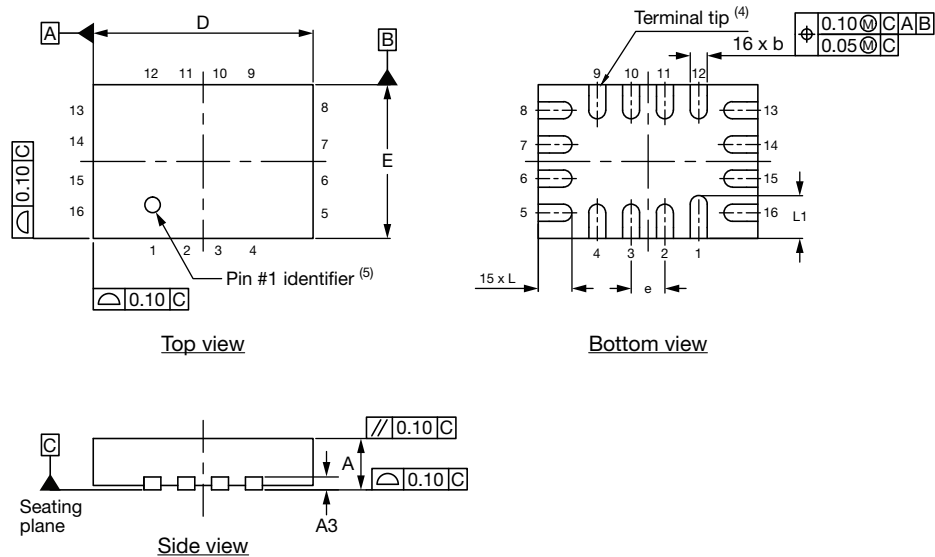


Fig. 8 - Source, Drain Capacitance

Vishay Siliconix maintains worldwide manufacturing capability. Products may be manufactured at one of several qualified locations. Reliability data for Silicon Technology and Package Reliability represent a composite of all qualified locations. For related documents such as package/tape drawings, part marking, and reliability data, see [www.vishay.com/ppg?267172](http://www.vishay.com/ppg?267172).

## Thin miniQFN16 Case Outline



DIMENSIONS	MILLIMETERS <sup>(1)</sup>			INCHES		
	MIN.	NOM.	MAX.	MIN.	NOM.	MAX.
A	0.50	0.55	0.60	0.020	0.022	0.024
A1	0	-	0.05	0	-	0.002
A3	0.15 ref.			0.006 ref.		
b	0.15	0.20	0.25	0.006	0.008	0.010
D	2.50	2.60	2.70	0.098	0.102	0.106
e	0.40 BSC			0.016 BSC		
E	1.70	1.80	1.90	0.067	0.071	0.075
L	0.35	0.40	0.45	0.014	0.016	0.018
L1	0.45	0.50	0.55	0.018	0.020	0.022
N <sup>(3)</sup>	16			16		
Nd <sup>(3)</sup>	4			4		
Ne <sup>(3)</sup>	4			4		

**Notes**

- (1) Use millimeters as the primary measurement.
- (2) Dimensioning and tolerances conform to ASME Y14.5M. - 1994.
- (3) N is the number of terminals. Nd and Ne is the number of terminals in each D and E site respectively.
- (4) Dimensions b applies to plated terminal and is measured between 0.15 mm and 0.30 mm from terminal tip.
- (5) The pin 1 identifier must be existed on the top surface of the package by using identification mark or other feature of package body.
- (6) Package warpage max. 0.05 mm.

ECN: T16-0226-Rev. B, 09-May-16  
DWG: 6023



## **Disclaimer**

ALL PRODUCT, PRODUCT SPECIFICATIONS AND DATA ARE SUBJECT TO CHANGE WITHOUT NOTICE TO IMPROVE RELIABILITY, FUNCTION OR DESIGN OR OTHERWISE.

Vishay Intertechnology, Inc., its affiliates, agents, and employees, and all persons acting on its or their behalf (collectively, "Vishay"), disclaim any and all liability for any errors, inaccuracies or incompleteness contained in any datasheet or in any other disclosure relating to any product.

Vishay makes no warranty, representation or guarantee regarding the suitability of the products for any particular purpose or the continuing production of any product. To the maximum extent permitted by applicable law, Vishay disclaims (i) any and all liability arising out of the application or use of any product, (ii) any and all liability, including without limitation special, consequential or incidental damages, and (iii) any and all implied warranties, including warranties of fitness for particular purpose, non-infringement and merchantability.

Statements regarding the suitability of products for certain types of applications are based on Vishay's knowledge of typical requirements that are often placed on Vishay products in generic applications. Such statements are not binding statements about the suitability of products for a particular application. It is the customer's responsibility to validate that a particular product with the properties described in the product specification is suitable for use in a particular application. Parameters provided in datasheets and / or specifications may vary in different applications and performance may vary over time. All operating parameters, including typical parameters, must be validated for each customer application by the customer's technical experts. Product specifications do not expand or otherwise modify Vishay's terms and conditions of purchase, including but not limited to the warranty expressed therein.

Except as expressly indicated in writing, Vishay products are not designed for use in medical, life-saving, or life-sustaining applications or for any other application in which the failure of the Vishay product could result in personal injury or death. Customers using or selling Vishay products not expressly indicated for use in such applications do so at their own risk. Please contact authorized Vishay personnel to obtain written terms and conditions regarding products designed for such applications.

No license, express or implied, by estoppel or otherwise, to any intellectual property rights is granted by this document or by any conduct of Vishay. Product names and markings noted herein may be trademarks of their respective owners.