

**PLEASE CHECK WWW.MOLEX.COM FOR LATEST PART INFORMATION**

**Part Number:** [0050361682](#)  
**Status:** **Active**  
**Overview:** [minifit\\_jr](#)  
**Description:** 4.20mm (.165") Pitch Mini-Fit Jr.™ Receptacle Housing, Single Row, PA Polyamide Nylon 6/6, UL 94V-0, 5 Circuits, Positive Latch, Glow Wire Compatible

**Documents:**

[3D Model](#) [Product Specification PS-5556-001 \(PDF\)](#)  
[Drawing \(PDF\)](#) [RoHS Certificate of Compliance \(PDF\)](#)

**Agency Certification**

CSA	LR19980
TUV	R72081037
UL	E29179

**General**

Product Family	Crimp Housings
Series	<a href="#">5557</a>
Comments	Current = 13A max. per circuit when header is mated to a receptacle loaded with <a href="#">45750</a> series terminals crimped to 16 AWG wire. . See Molex product specification PS-45750-001 for additional current de-rating information.. See Molex product specification PS-5556-001 for additional current de-rating information.
Overview	<a href="#">minifit_jr</a>
Product Name	Mini-Fit Jr.™

**Physical**

Circuits (maximum)	5
Color - Resin	Black
Flammability	94V-0
Gender	Receptacle
Glow-Wire Compliant	Yes
Keying to Mating Part	None
Lock to Mating Part	Yes
Material - Resin	Nylon
Number of Rows	1
Packaging Type	Bag
Panel Mount	No
Pitch - Mating Interface (in)	0.165 In
Pitch - Mating Interface (mm)	4.20 mm
Pitch - Term. Interface (in)	0.165 In
Pitch - Term. Interface (mm)	4.20 mm
Polarized to Mating Part	Yes
Ports	1
Stackable	No
Temperature Range - Operating	-40°C to +105°C

**Electrical**

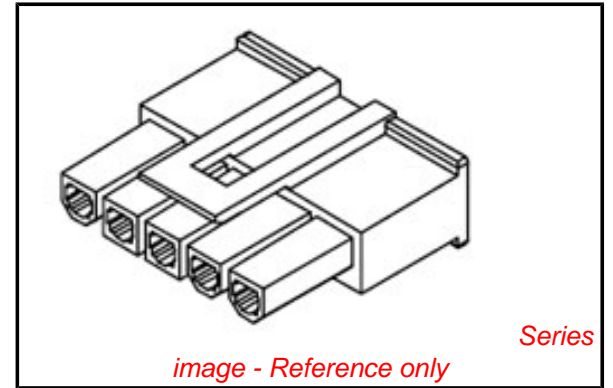
Current - Maximum per Contact	13A
-------------------------------	-----

**Material Info**

Old Part Number	5557-05R2-225
-----------------	---------------

**Reference - Drawing Numbers**

Packaging Specification	PK-5557-003
Product Specification	PS-5556-001



**EU RoHS**

**ELV and RoHS Compliant**  
**REACH SVHC**  
**Contains SVHC: No**  
**Halogen-Free**  
**Status**

**China RoHS**



**Halogen-Free**

**Need more information on product environmental compliance?**

Email [productcompliance@molex.com](mailto:productcompliance@molex.com)  
 For a multiple part number RoHS Certificate of Compliance, [click here](#)

Please visit the [Contact Us](#) section for any non-product compliance questions.

**Search Parts in this Series**

[5557Series](#)

**Mates With**

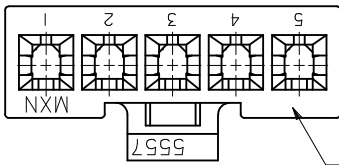
[5559](#) Crimp Housings Plug, [5566](#) PCB Header, [5569](#) PCB Header

**Use With**

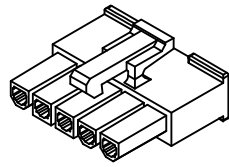
[5556](#) Female Terminal

This document was generated on 05/19/2010

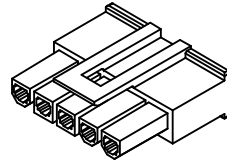
**PLEASE CHECK [WWW.MOLEX.COM](http://WWW.MOLEX.COM) FOR LATEST PART INFORMATION**



OPTIONAL ENGINEERING NUMBER LOCATION

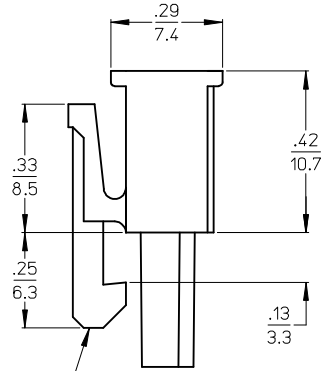
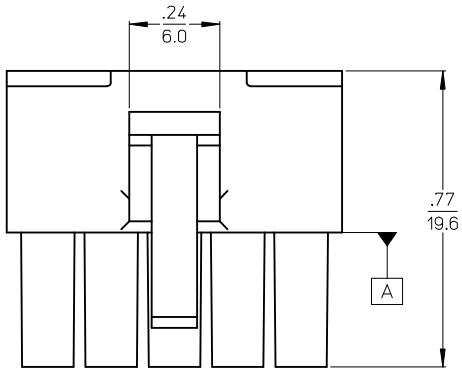


POSITIVE LATCH SCALE 2:1



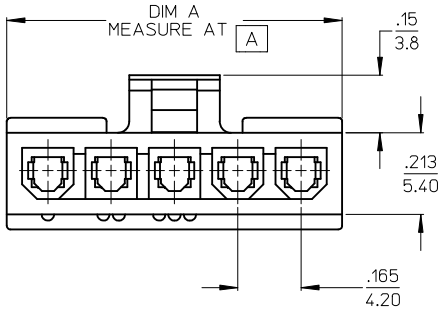
PASSIVE LATCH SCALE 2:1

MATERIAL NUMBER	ENGINEERING NUMBER	TOOL STATUS	CKT SIZE	LATCH STYLE	DIM A
50-36-1746	5557-04R2-225	TOOLED	4	POSITIVE	.709/(18.00)
50-36-1682	5557-05R2-225	TOOLED	5	POSITIVE	.874/(22.20)
50-36-1666	5557-05R4-225	TOOLED	5	PASSIVE	.874/(22.20)
50-36-2491	5557-06R2-225	NOT TOOLED	6	POSITIVE	1.039/(26.40)
50-36-2324	5557-07R2-225	NOT TOOLED	7	POSITIVE	1.205/(30.60)
50-36-2288	5557-10R2-225	TOOLED	10	POSITIVE	1.701/(43.20)



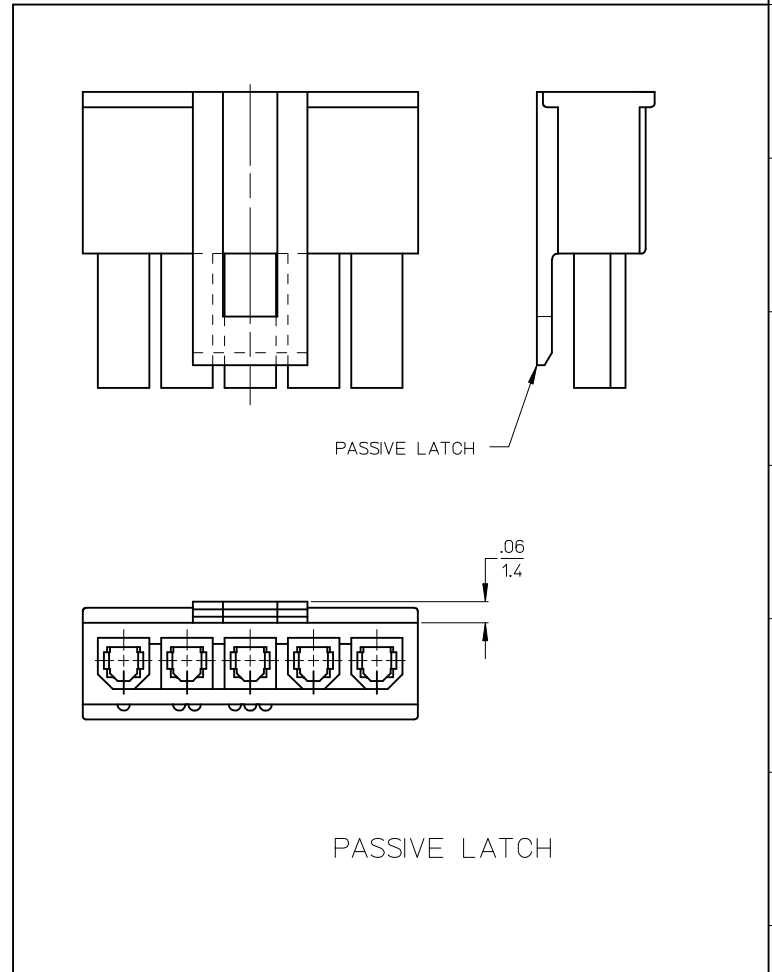
POSITIVE LATCH

PASSIVE LATCH



LEGEND:

- 5557-\*\*R\*-225
- CIRCUIT SIZE
- RECEPTACLE  
R2= SINGLE ROW, POSITIVE LATCH  
R4= SINGLE ROW, PASSIVE LATCH
- MATERIAL  
SEE NOTE 1



PASSIVE LATCH

- NOTES:
- MATERIAL:  
\*225\* = NYLON (PA6), UL94V-0, COLOR: BLACK; IEC 60335-1, 4th EDITION GLOW WIRE CAPABLE.
  - FINISH: NOT APPLICABLE
  - PRODUCT SPECIFICATION: PS-5556-001
  - PACKAGING: BULK
  - PART MATES WITH MOLEX PLUG #5559 AND HEADERS #5566 AND #5569.
  - PART TO BE USED WITH MOLEX FEMALE TERMINAL #5556.
  - PART IS NOT DESIGNED FOR CURRENT SHARING.
  - CONNECTORS ARE NOT TO BE MATED OR UNMATED WHILE CIRCUITS ARE LIVE.
  - WIRES ARE TO BE DRESSED IN SUCH A MANNER TO ALLOW THE TERMINALS TO FLOAT FREELY IN THE POCKET.
  - PART CONFORMS TO CLASS "B" REQUIREMENTS OF COSMETIC SPECIFICATION PS-45499-002 WITH THE EXCEPTION OF DISCOLORATION, FLASH AND SINK MEET CLASS "C" REQUIREMENTS.

ADD P/N TO CHART	QUALITY SYMBOLS
EC NO: UCP2010-0295	▽=0
DRWN:TBRENS 2009/08/03	▽=0
CHKD:JBELL 2009/08/03	
APPR:FSMITH 2009/08/03	
REV	DESCRIPTION
A2	

GENERAL TOLERANCES (UNLESS SPECIFIED)

	mm	INCH
4 PLACES ±	---	± .010
3 PLACES ±	---	± .015
2 PLACES ±	.25	± .015
1 PLACE ±	.38	± .015

ANGULAR ±1/2°

DRAFT WHERE APPLICABLE MUST REMAIN WITHIN DIMENSIONS

DIMENSION STYLE		SCALE	DESIGN UNITS	THIRD ANGLE PROJECTION
IN/MM			METRIC	
DRAWN BY	DATE	TITLE		
LSCHMIDT	2007/06/28	MINI-FIT JR. RECEPTACLE		
CHECKED BY	DATE	SINGLE ROW		
ADERR	2007/07/02	GLOW WIRE		
APPROVED BY	DATE	MOLEX INCORPORATED		
FSMI THROEMER	2007/07/06	MATERIAL NO. SD-5557-525		
SEE CHART		DOCUMENT NO.	SHEET NO.	
SEE CHART			1 OF 1	

THIS DRAWING CONTAINS INFORMATION THAT IS PROPRIETARY TO MOLEX INCORPORATED AND SHOULD NOT BE USED WITHOUT WRITTEN PERMISSION