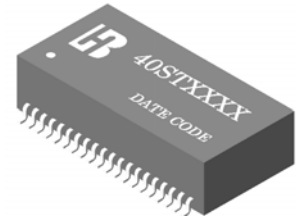


## 10 BASE QUAD PORT PULSE TRANSFORMERS

462 Boston St - Topsfield, MA 01983 - Phone: 978-887-8050 - Fax: 978-887-5434

- 40-PIN SMD package compatible with IEEE 802.3 standard & for the new technology “ Filterless ” transceiver chips
- Designed for multiport repeater and switched Ethernet applications utilizing single RJ-45 connectors
- Low profile, surface mount packaging rated to 235°C peak IR reflow temperature
- Isolation Voltage : 1500Vrms



### Electrical Specifications @ 25°C Operating Temperature range: 0°C to +70°C

- “\*” 1.Peak Pulse Rating : 50Volts  
 2.Dissipation Rating :75mW  
 3.Insulation Resistance : 10,000MΩ

Part Number	Turn Ratio (Pri:Sec)		Primary OCL ( $\mu$ H Min)	L.L ( $\mu$ H Max)	Cw/w (pF Max)
	Transmit	Receive			
40ST6489B*	1CT:1.41CT	1:1	140	0.4/0.4	15
40ST6489B-1	1CT:1.41CT	1:1	100	0.4/0.4	15
40ST6489G	1CT:1.414	1:1	200	-	-
40ST8050B*	1CT:1CT	1:1	80-130	0.4/0.4	12
40ST8050C\$	1CT:1CT	1:1	150	0.3/0.3	10
40ST8050D\$	1CT:1CT	1:1	150	0.3/0.3	10
40ST8051B*	1CT:1CT	1:1	100±20%	0.4/0.4	12
40ST8052\$	1CT:1CT	1:1	150	0.3	10
40ST8054*	1CT:1CT	1:1	140	0.3	12
40ST8056	1CT:1CT	1:1	100	0.55	20
40ST8062*	1CT:1.41CT	1:1	140	0.4/0.4	15
40ST8062A\$	1CT:1.41CT	1:1	150	0.4/0.4	18

Part Number	Insertion Loss (dB Max.)	Return Loss (dB Min.)	Cross Talk (dB Min)	Common to Common Mode Rejection (dB Min)				
	0.3-10MHz	10-20MHz	0.3-10MHz	10-20MHz	100MHz			
40ST6489B-1	-1.0	-18	-40	-40	-30			
40ST6489G	-	-15	-	1-100MHz				
“\$” Return Loss(5-10MHz): -20@100Ω , -15 @ 98±13Ω				Transmit	Receive			
				-25	-20			
40ST8050C\$	0.5 TYP	-	-35	5MHz	10MHz	50MHz	100MHz	200MHz
				-60	-50	-35	-25	-20
40ST8050D\$	-0.5	-	-35	-60	-50	-35	-25	-20
40ST8052 \$	-0.5	-	-35	-60	-50	-34	-25	-
40ST8062A\$	-	-	-	-60	-50	-30	-25	-20

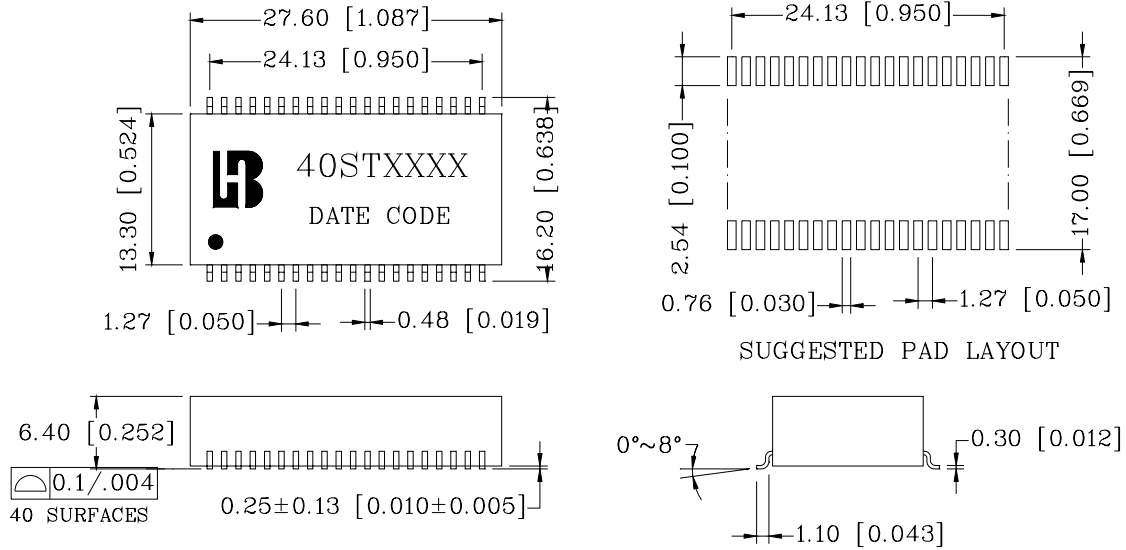
Bothhand USA. e-mail: [sales@bothhandusa.com](mailto:sales@bothhandusa.com) <http://www.bothhand.com>

462 Boston St - Topsfield, MA 01983 - Phone: 978-887-8050 - Fax: 978-887-5434

**10 BASE QUAD PORT PULSE TRANSFORMERS**

462 Boston St - Topsfield, MA 01983 - Phone: 978-887-8050 - Fax: 978-887-5434

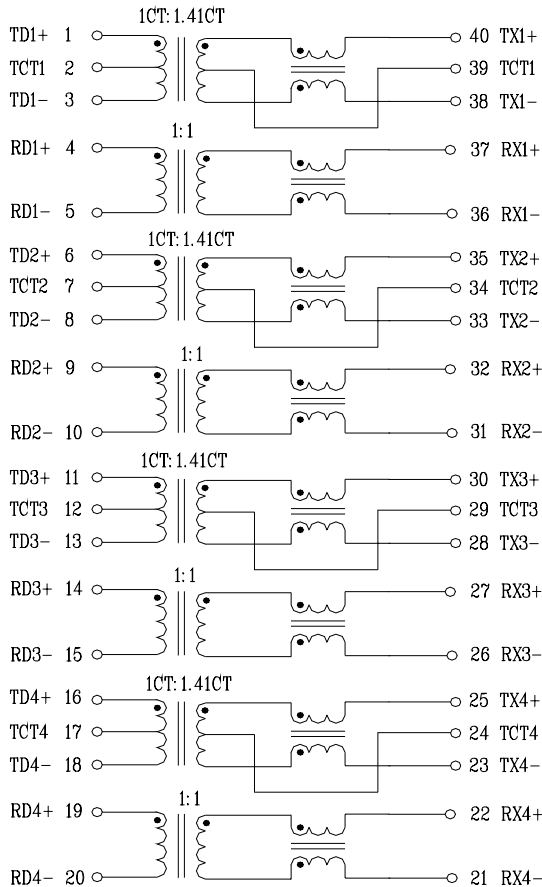
**Mechanicals**



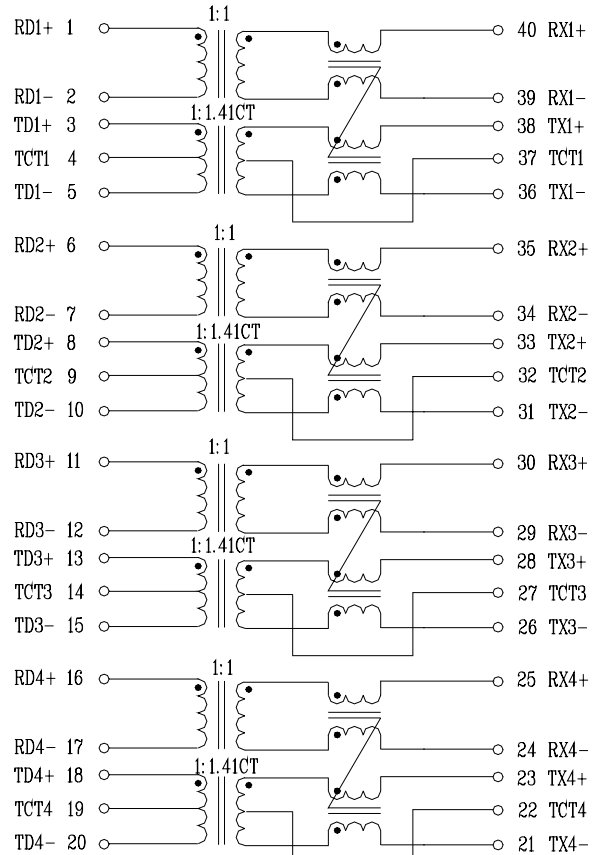
Units: mm[Inches] Tolerance: xx.x0±0.25[0.010]  
0.xx±0.05[0.002]

**Schematics**

**40ST6489B**



**40ST6489B-1**



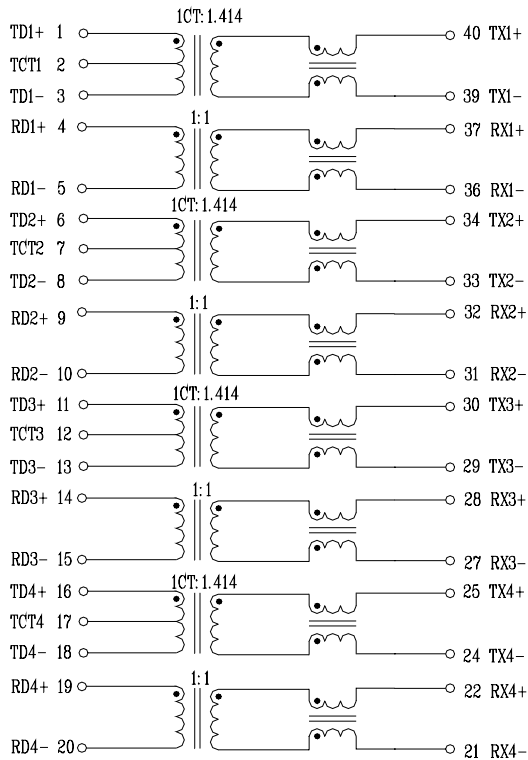
Bothhand USA. e-mail: sales@bothhandusa.com http://www.bothhand.com

462 Boston St - Topsfield, MA 01983 - Phone: 978-887-8050 - Fax: 978-887-5434

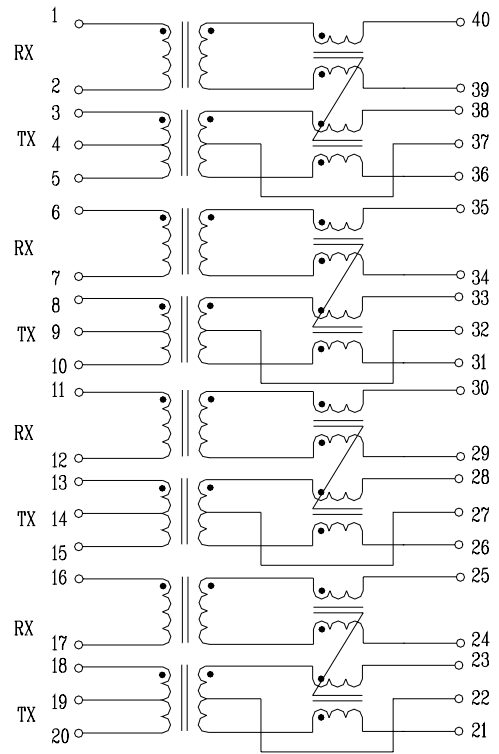
**10 BASE QUAD PORT PULSE TRANSFORMERS**

462 Boston St - Topsfield, MA 01983 - Phone: 978-887-8050 - Fax: 978-887-5434

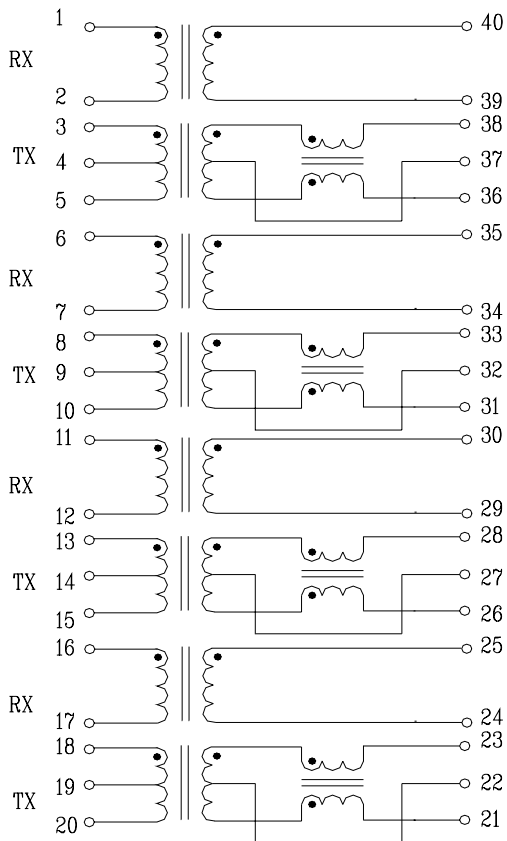
**40ST6489G**



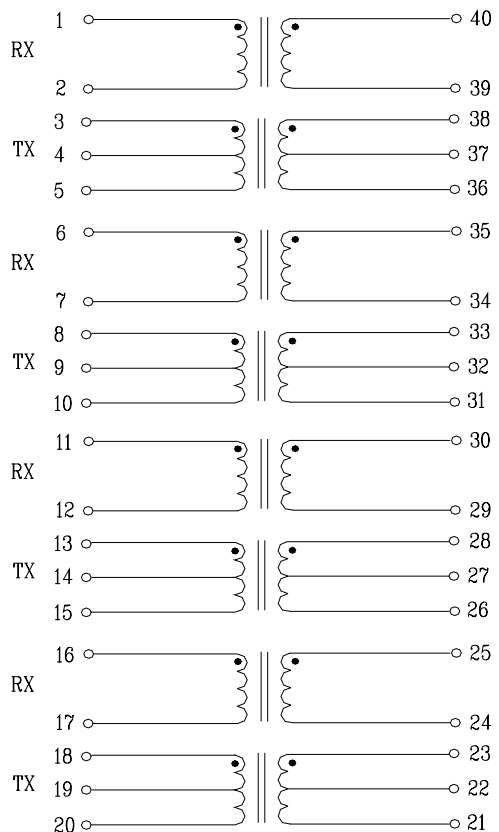
**40ST8050B**



**40ST8050C**



**40ST8050D**



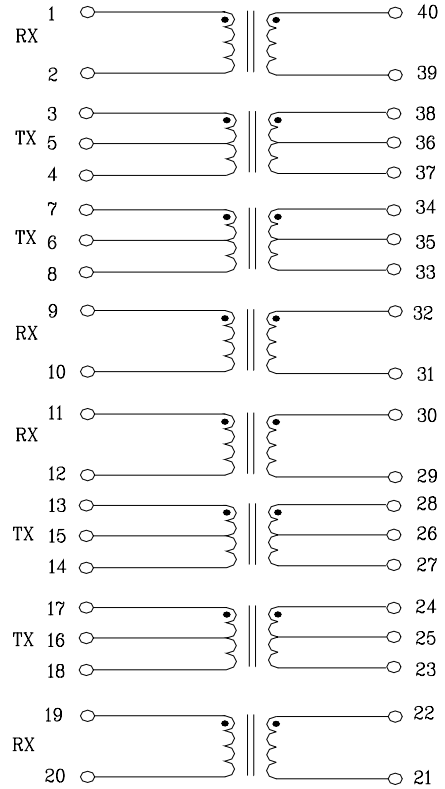
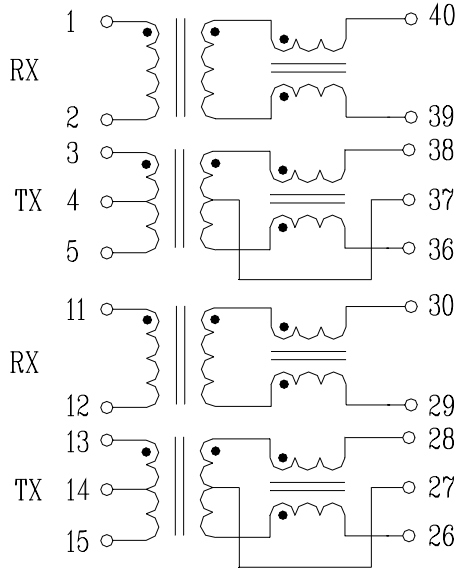
Bothhand USA. e-mail: [sales@bothhandusa.com](mailto:sales@bothhandusa.com) <http://www.bothhand.com>

462 Boston St - Topsfield, MA 01983 - Phone: 978-887-8050 - Fax: 978-887-5434

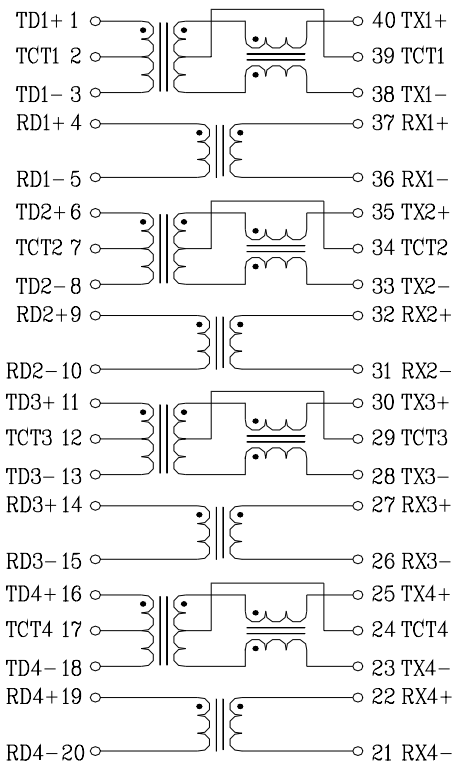
**10 BASE QUAD PORT PULSE TRANSFORMERS**

462 Boston St - Topsfield, MA 01983 - Phone: 978-887-8050 - Fax: 978-887-5434

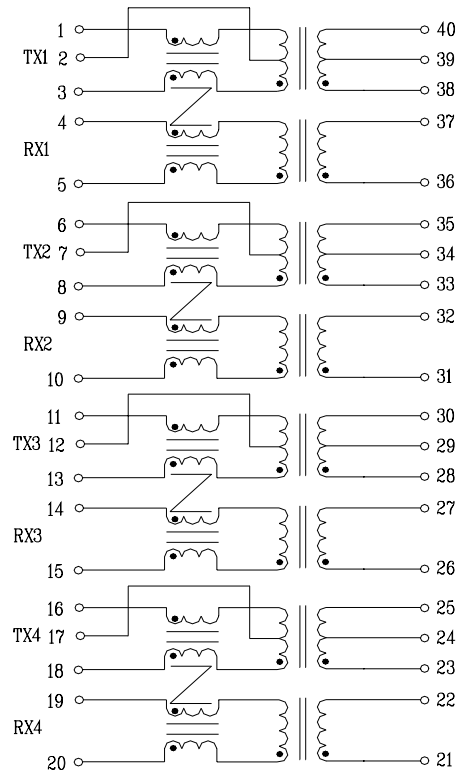
**40ST8052**



**40ST8054**



**40ST8056**



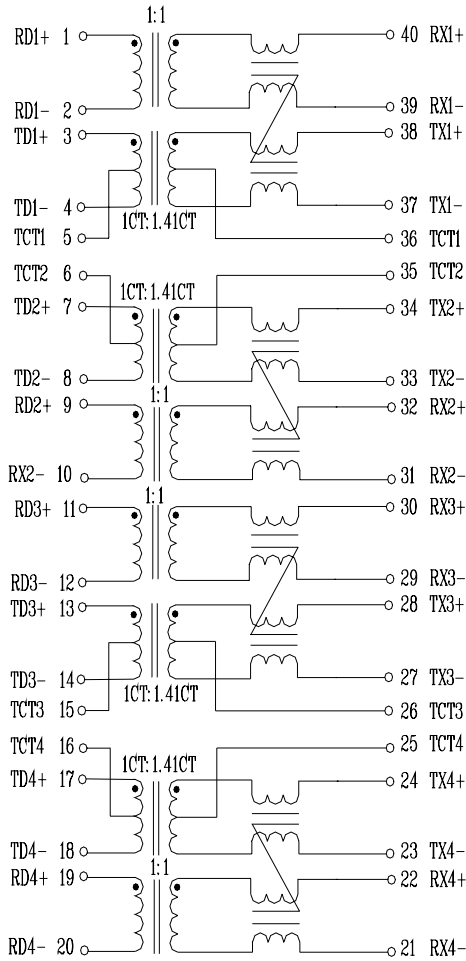
Bothhand USA. e-mail: [sales@bothhandusa.com](mailto:sales@bothhandusa.com) <http://www.bothhand.com>

462 Boston St - Topsfield, MA 01983 - Phone: 978-887-8050 - Fax: 978-887-5434

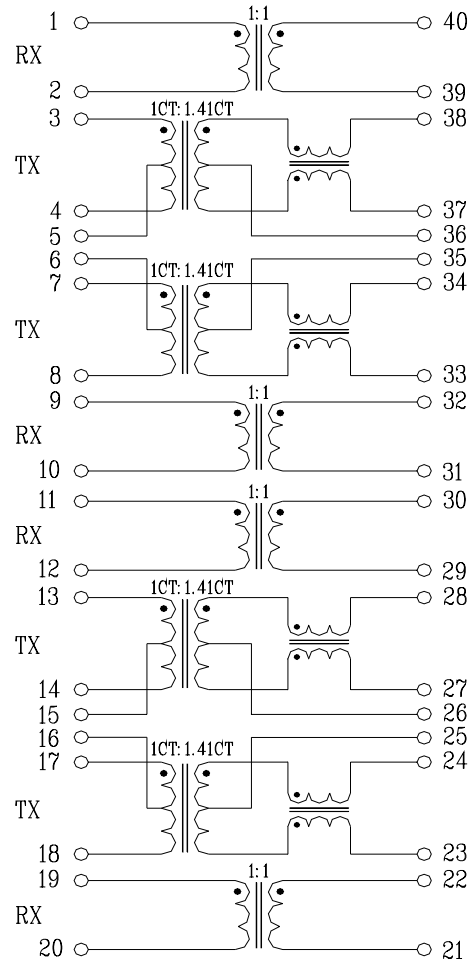
**10 BASE QUAD PORT PULSE TRANSFORMERS**

462 Boston St - Topsfield, MA 01983 - Phone: 978-887-8050 - Fax: 978-887-5434

**40ST8062**



**40ST8062A**



Bothhand USA. e-mail: [sales@bothhandusa.com](mailto:sales@bothhandusa.com) <http://www.bothhand.com>

462 Boston St - Topsfield, MA 01983 - Phone: 978-887-8050 - Fax: 978-887-5434