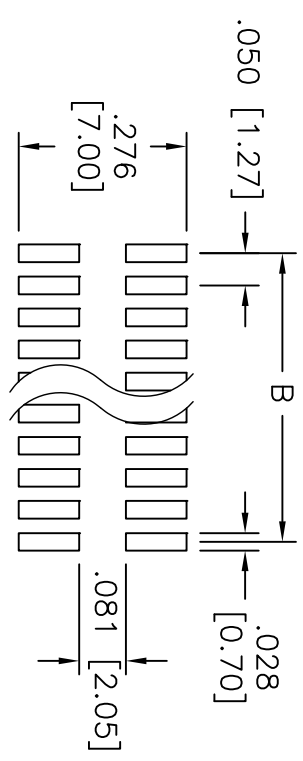
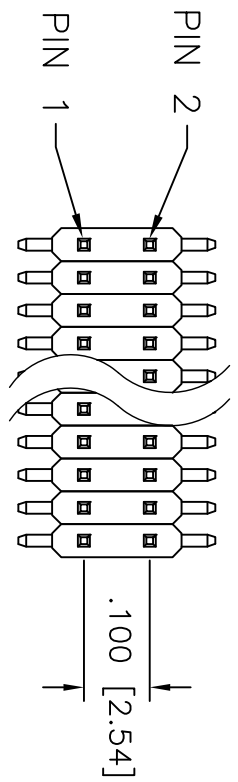
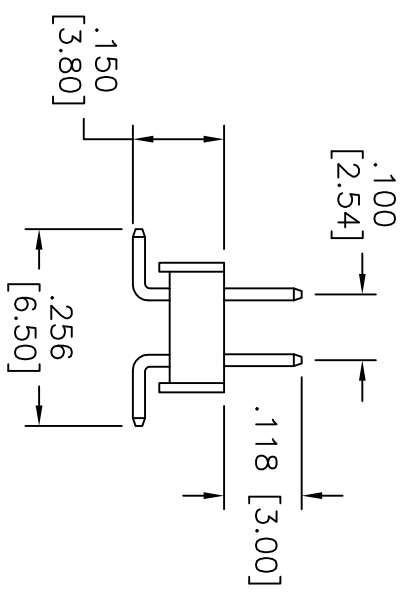
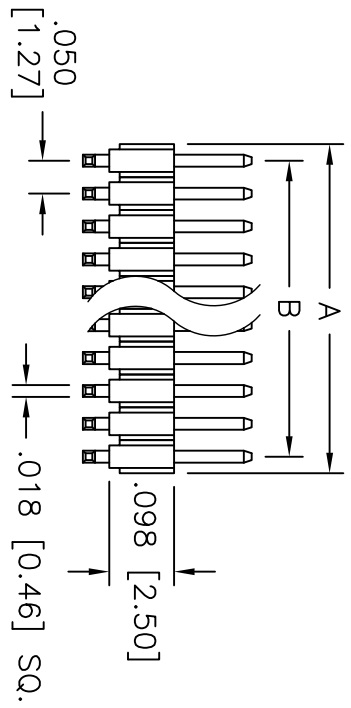


Rev	AWO #	Description	Date	Appr
-		RELEASED	7/23/10	

APPROVED: \_\_\_\_\_  
 DATE: \_\_\_\_\_ TITLE: \_\_\_\_\_



Recommended PCB Layout



**SPECIFICATIONS:**

**Material:** Insulator: Hi-temp thermoplastic, rated UL 94V-0  
 Insulator color: Black

**Contacts:** Brass

**Plating:**

10u" Gold flash over Nickel underplate on contact area,  
 Tin over copper underplate on tails.

**Electrical:**

Current rating: 1 Amps

Contact resistance: 20 mohms max @ DC 100mA

Insulation resistance: 5000 Mohms min @ DC 500V

Dielectric withstanding voltage: 500 VAC for 1 minute

**Temperature Rating:**

Operating temperature: -40°C to +105°C

**Environmental:**

Lead free, RoHS compliant.

Recommended soldering temp: 260°C for 5 sec.



A = .050 [1.27] X No. of Positions per row  
 B = .050 [1.27] X No. of Spaces per row

UNLESS OTHERWISE SPECIFIED ALL DIMENSIONS ARE INCHES [MM]	
TOLERANCES: EXCEPT AS NOTED	
INCHES	HOLDS
.X ± .10	ØX ± .10
.XX ± .020	ØXXX ± .015
.XXX ± .015	ØXXX ± .010
APPROVALS	DATE
DRAWN AY	7/23/10
CHECKED AH	7/23/10
APPROVED	

TITLE		ADAM TECH	
.050" X .100" PIN HEADER, DUAL ROW		909 Railway Avenue, Union, NJ 07083	
10u" SELECTIVE GOLD PLATED		Phone: 908-687-5000 Fax: 908-687-5710	
SIZE	PART NO.	SCALE	SHEET 1 OF 1
X	HPH2-B-XX-SGA-SMT-10	NTS	A
REF:	S00039T		