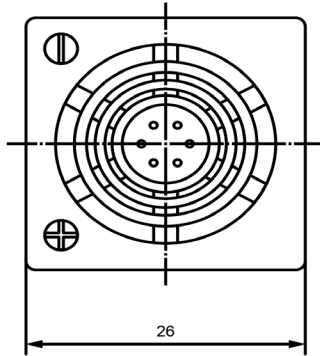
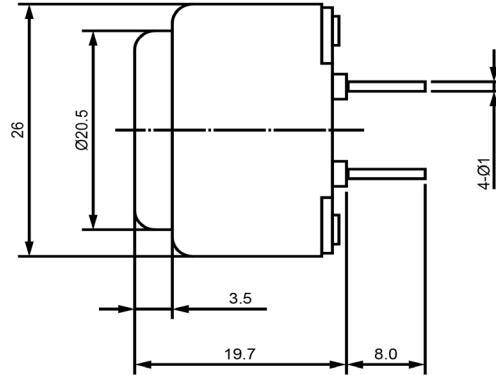


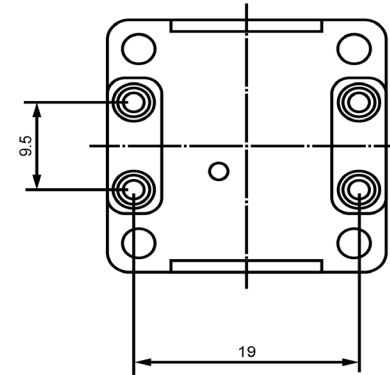
TOP VIEW





SIDE VIEW



BOTTOM VIEW



Specifications			Notes	Revision History																	
Description	Value	Unit		Version	Description	Date	Approved														
Technology	Electro-Mechanical		1) All dimensions are in mm unless otherwise noted 2) All parts meet RoHS	1	Released from Engineering	10/21/2013	J.S														
Resonant Frequency	400	(Hz)																			
Rated Voltage	12	(V)																			
SPL @ 10cm	95	(dBA)																			
Tone	Single																				
Mount Type	Thru Hole																				
Voltage Range	8 ~ 16	(V)																			
Max Rated Current	50	(mA)																			
Housing Material	ABS																				
Operating Temperature	-20 ~ +60	°C																			
Storage Temperature	-30 ~ +70	°C																			
Weight	17	(g)																			
						<table border="1"> <thead> <tr> <th>Drawn by</th> <th>Date</th> <th>Checked by</th> <th>Date</th> <th>Approved by</th> <th>Date</th> </tr> </thead> <tbody> <tr> <td>A.B.</td> <td>10/21/2013</td> <td>C.E.</td> <td>10/21/2013</td> <td>J.S</td> <td>10/21/2013</td> </tr> </tbody> </table>	Drawn by	Date	Checked by	Date	Approved by	Date	A.B.	10/21/2013	C.E.	10/21/2013	J.S	10/21/2013	IE260412-1		
						Drawn by	Date	Checked by	Date	Approved by	Date										
A.B.	10/21/2013	C.E.	10/21/2013	J.S	10/21/2013																
Electro-Mechanical Indicator																					