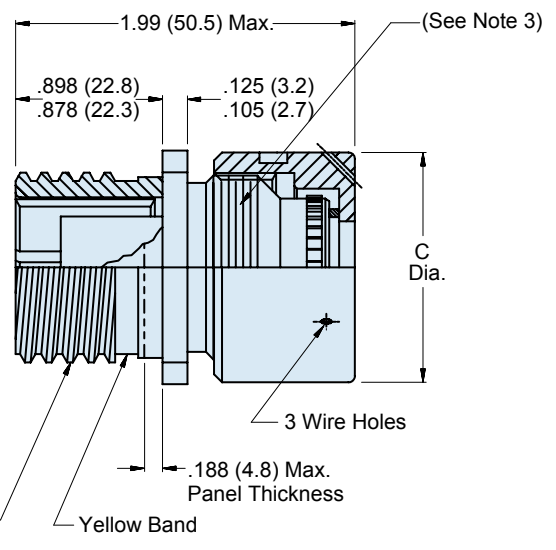
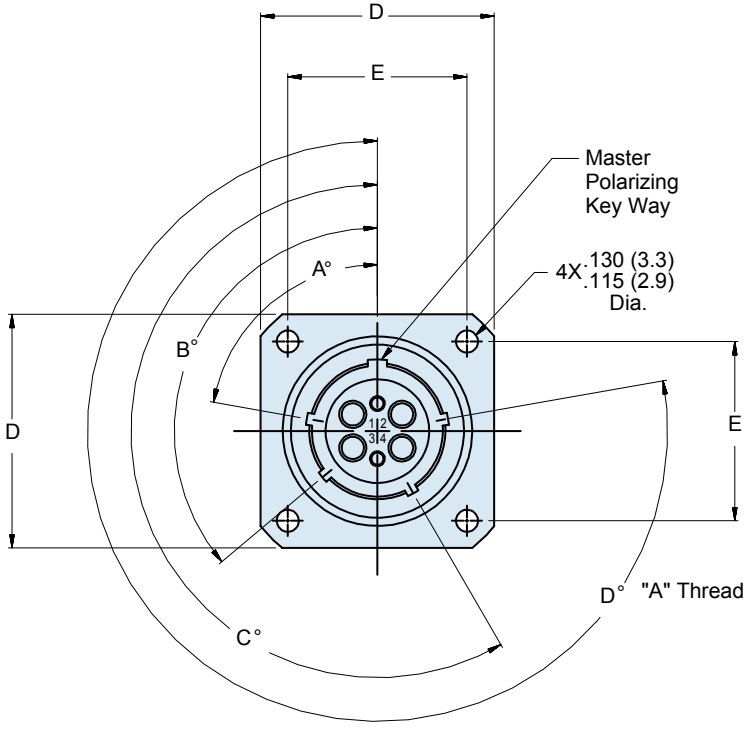


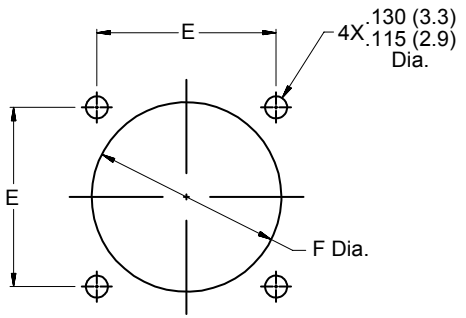


180-040 (-03, -13, -23, -33)
MIL-PRF-28876 Type Wall Mount Receptacle Connector
 for use with MIL-PRF-29504/14 and /15 Termini

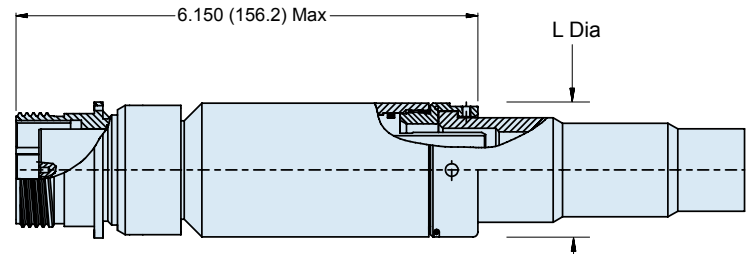
C



03 - WALL MOUNT RECEPTACLE WITHOUT BACKSHELL



RECOMMENDED PANEL CUT-OUT



13 - WALL MOUNT RECEPTACLE WITH STRAIGHT BACKSHELL

TABLE VI: SHELL SIZE						
Shell Size	D ± .020 (0.5)	E	F Dia ± .005 (0.1)	C Dia Max	L Dia Max	"A" Thread Size .1P-.2L-DS
11	1.022 (26.0)	.750 (19.1)	.812 (20.6)	.960 (24.4)	.960 (24.4)	.750 (19.05)
13	1.137 (28.9)	.843 (21.4)	.937 (23.8)	1.085 (27.6)	1.085 (27.6)	.875 (22.2)
15	1.257 (31.9)	.968 (24.6)	1.124 (28.5)	1.255 (31.9)	1.255 (31.9)	1.062 (26.9)
23	1.718 (43.6)	1.281 (32.5)	1.562 (39.7)	1.695 (43.1)	1.763 (44.8)	1.500 (38.1)

180-040 (-06, -16, -26, -36)
MIL-PRF-28876 Type Plug Connector
 for use with MIL-PRF-29504/14 and /15 Termini



MIL-PRF-
28876

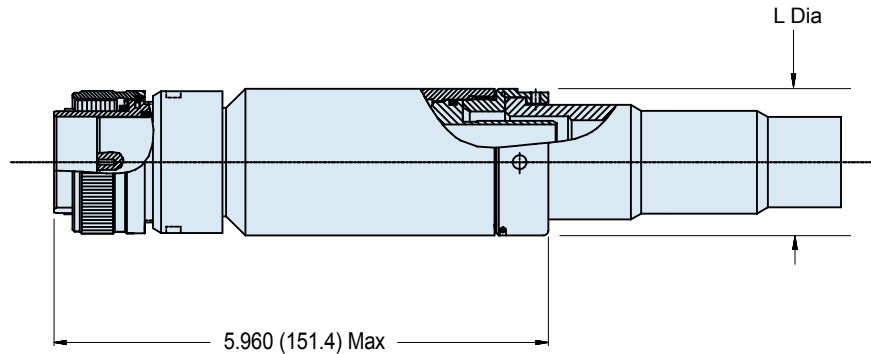
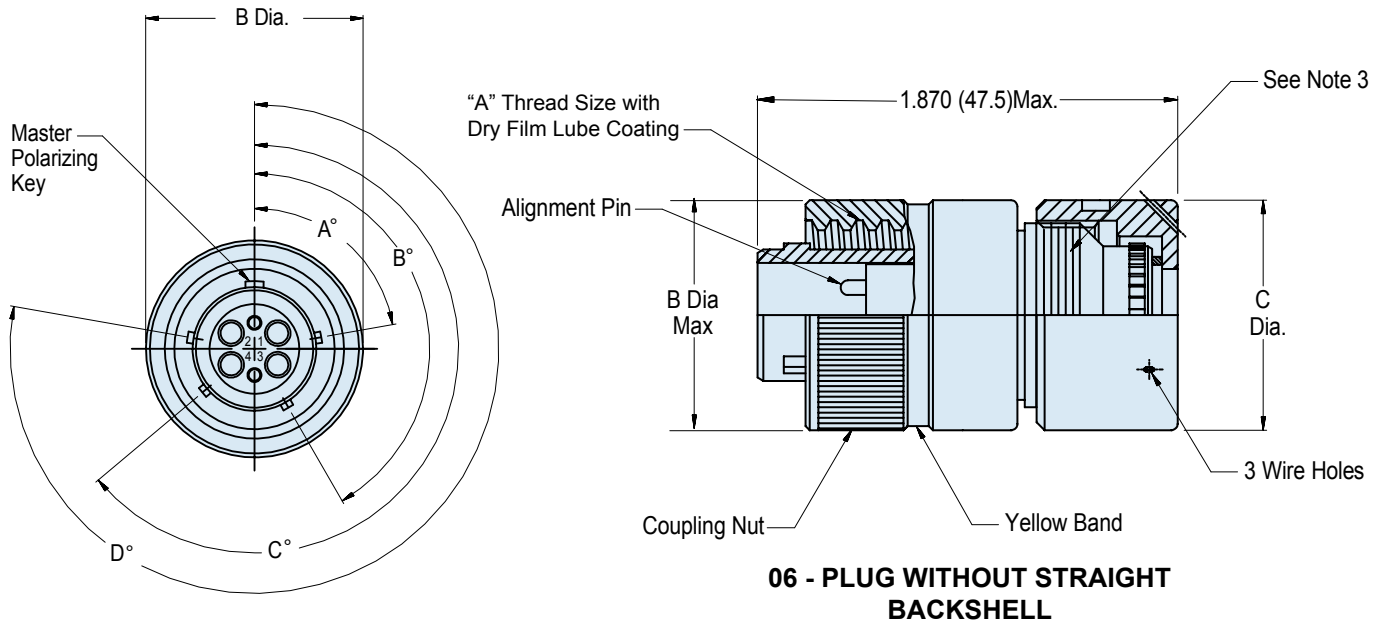
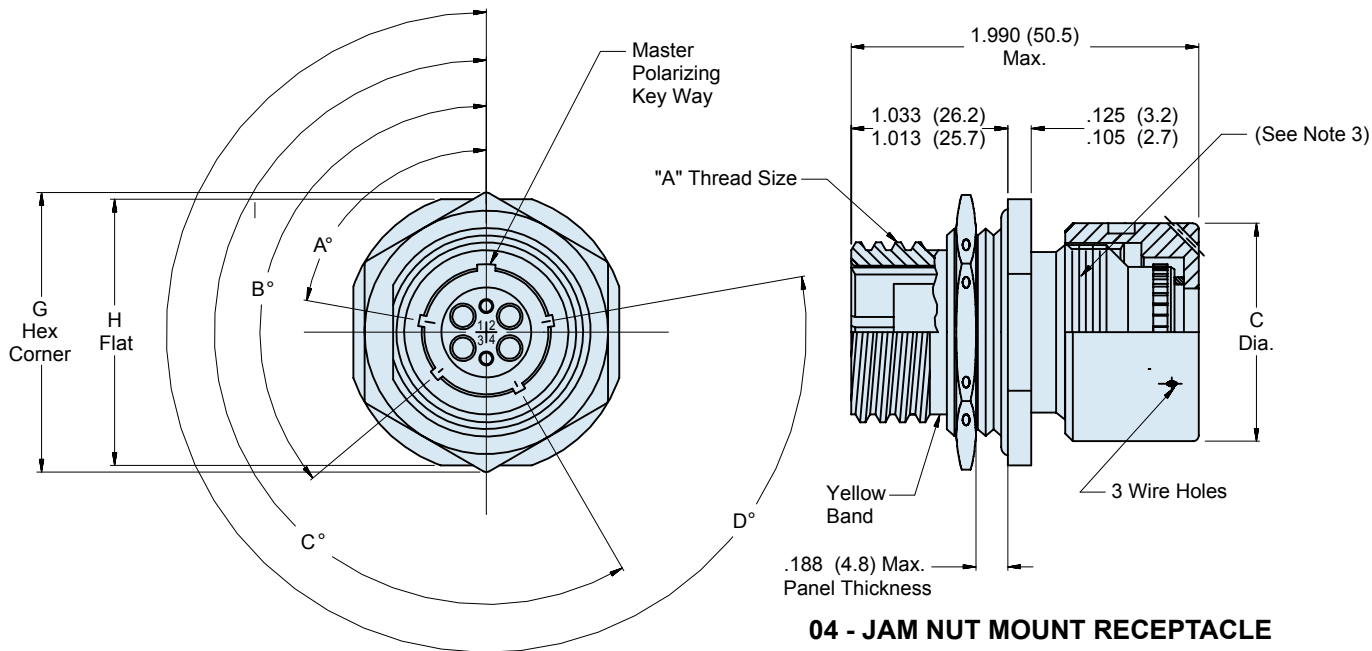
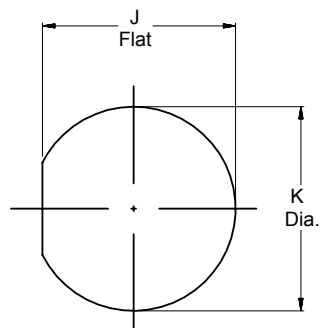


TABLE VI: SHELL SIZE

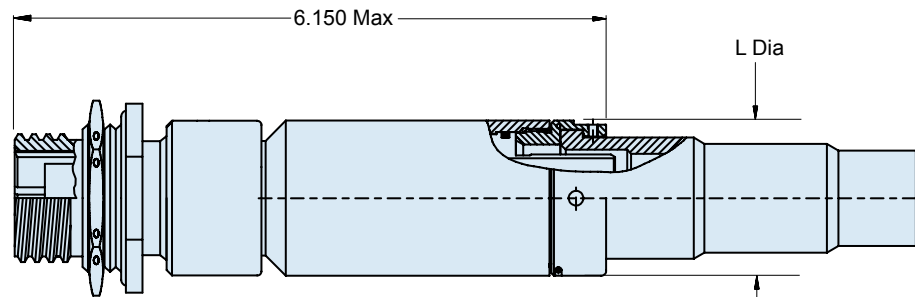
Shell Size	B Dia Max	C Dia Max	L Dia Max	"A" Thread Size .1P-.2L-DS
11	1.028 (26.1)	.960 (24.4)	.960 (24.4)	.750 (19.05)
13	1.141 (29.0)	1.085 (27.6)	1.085 (27.6)	.875 (22.2)
15	1.263 (32.1)	1.255 (31.9)	1.255 (31.9)	1.062 (26.9)
23	1.705 (43.3)	1.695 (43.1)	1.763 (44.8)	1.500 (38.1)



04 - JAM NUT MOUNT RECEPTACLE WITHOUT BACKSHELL



RECOMMENDED PANEL CUTOUT



14 - JAM NUT MOUNT RECEPTACLE WITH STRAIGHT BACKSHELL
 (Consult Factory for 45° and 90° Backshell Versions)

TABLE VI: SHELL SIZE							
Shell Size	G Max	H ± .010 (0.3)	J ± .005 (0.1)	K Dia ± .005 (0.1)	C Dia Max	L Dia Max	"A" Thread Size .1P-.2L-DS
11	1.290 (32.8)	1.262 (32.1)	.848 (21.5)	.885 (22.5)	.960 (24.4)	.960 (24.4)	.750 (19.05)
13	1.435 (35.9)	1.387 (35.2)	.937 (24.7)	1.010 (25.7)	1.085 (27.6)	1.085 (27.6)	.875 (22.2)
15	1.650 (41.9)	1.575 (40.0)	1.160 (29.5)	1.198 (30.4)	1.255 (31.9)	1.255 (31.9)	1.062 (26.9)
23	2.093 (53.2)	2.014 (51.2)	1.598 (40.6)	1.635 (41.5)	1.695 (43.1)	1.763 (44.8)	1.500 (38.1)