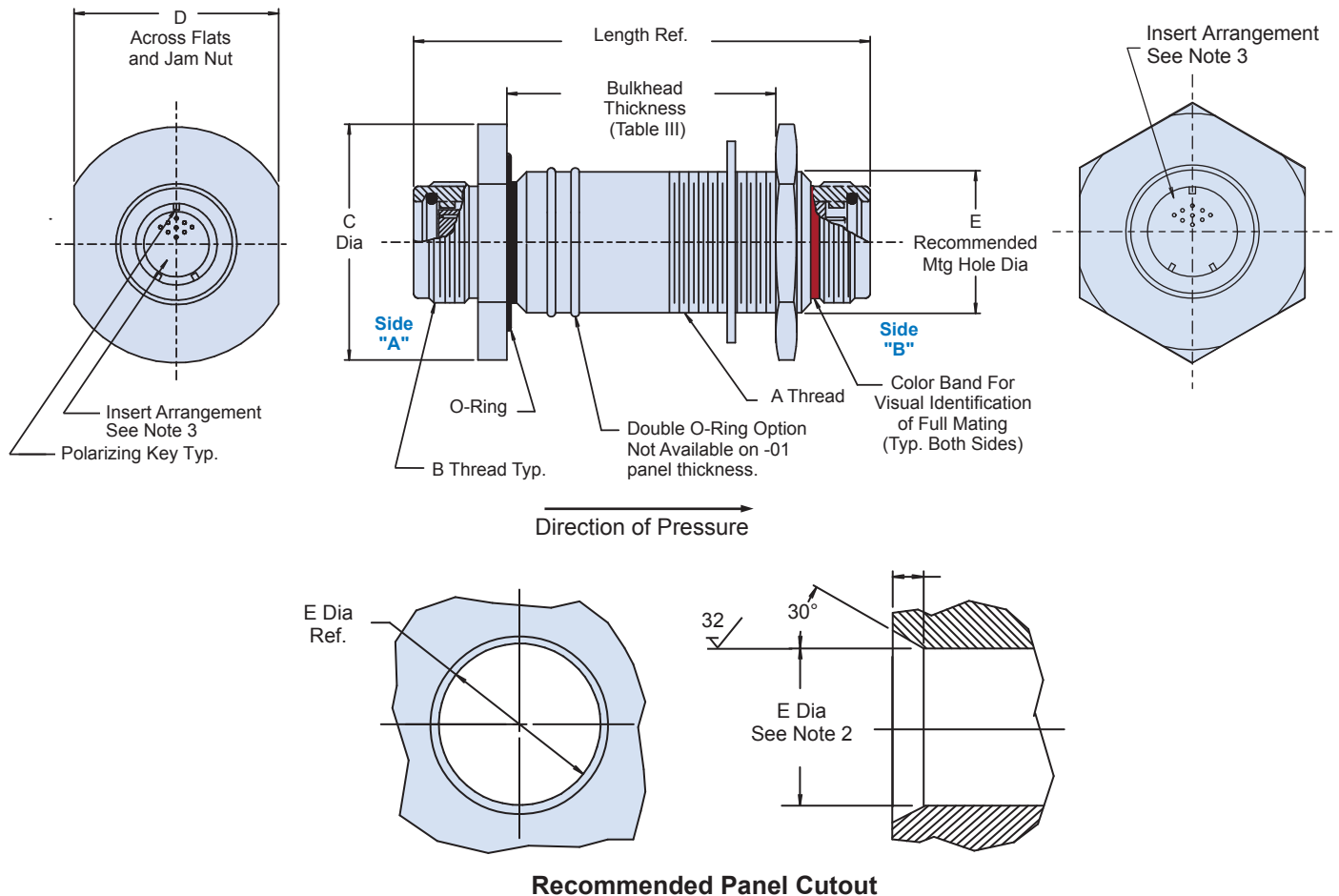


JAM NUT BULKHEAD FEED-THROUGH FOR PANEL THICKNESSES UP TO 8 INCHES



		How To Order						
Sample Part Number	227-040	-24-61	S	N	P	N	03	D
Series and Shell Style	227-039 - Standard shell (mates with 220-06 plug) 227-040 - Scoop-Proof shell (mates with 220-016)							
Shell Size - Insert Arrangement	See page A-6							
Side A Contact Style	P = Pins S = Sockets H = Hermetic Pin							
Side A Polarization	N, 1, 2, 3, 4 See page A-6							
Side B Contact Style	P = Pin S = Socket H = Hermetic Pin							
Side B Polarization	N, 1, 2, 3, 4 See page A-6							
Bulkhead Thickness Dash No.	See Table III							
Double O-Ring Option	D (Omit for None)							

B



227-039 and 227-040 High-Pressure Environmental/Hermetic Jam Nut Mount Bulkhead Feed-Through



Table II: Dimensions

Shell Size	A Thread Class 2A	B Thread Class 2A	C Dia	D Flat	E Dia *
10	7/8-20 UNEF	.750-.1P-.1L	1.41 (35.8)	1.250 (31.8)	.875 (22.2)
12	1-20 UNEF	.875-.1P-.1L	1.53 (38.9)	1.375 (34.9)	1.000 (25.4)
14	1 1/8-18 UNEF	1.000-.1P-.1L	1.66 (42.2)	1.500 (38.1)	1.125 (28.6)
16	1 1/4-16 UN	1.125-.1P-.1L	1.78 (45.2)	1.625 (41.3)	1.250 (31.8)
18	1 3/8-16 UN	1.250-.1P-.1L	1.91 (48.5)	1.750 (44.5)	1.375 (34.9)
20	1 1/2-16 UN	1.375-.1P-.1L	2.03 (51.6)	1.875 (47.6)	1.500 (38.1)
22	1 5/8-16 UN	1.500-.1P-.1L	2.16 (54.9)	2.000 (50.8)	1.625 (41.3)
24	1 3/4-16 UN	1.625-.1P-.1L	2.28 (57.9)	2.125 (54.0)	1.750 (44.5)

* Standard Shell +.010 (.254) -.000 (.0) * Double "O" Ring Option +.002 (.05) -.000 (.0)

Table III: Panel Thickness

Dash No.	Panel Min	Panel Max	Length (Ref.)	
			Standard Shell Length	Scoop-Proof Shell Length
01	.03 (.8)	1.00 (25.4)	2.30 (58.4)	3.00 (76.2)
02	1.00 (25.4)	2.00 (50.8)	3.30 (83.8)	4.00 (101.6)
03	2.00 (50.8)	3.00 (76.2)	4.30 (109.2)	5.00 (127.0)
04	3.00 (76.2)	4.00 (101.6)	5.30 (134.6)	6.00 (152.4)
05	4.00 (101.6)	5.00 (127.0)	6.30 (160.0)	7.00 (177.8)
06	5.00 (127.0)	6.00 (152.4)	7.30 (185.4)	8.00 (203.2)
07	6.00 (152.4)	7.00 (177.8)	8.30 (210.8)	9.00 (228.6)
08	7.00 (177.8)	8.00 (203.2)	9.30 (236.2)	10.00 (254.0)

Notes

1. Power to a given contact on one end will result in power to contact directly opposite, regardless of identification letter.
2. For standard o-ring option, $\sqrt[3]{}$ does not apply and E dia s/b +.010
-.000
3. For pin/pin and skt/skt, symmetrical layouts only, consult factory for available insert arrangements.