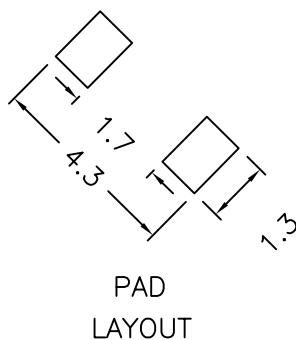
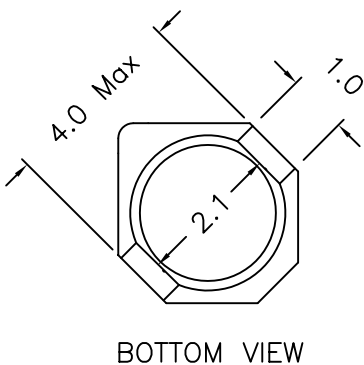
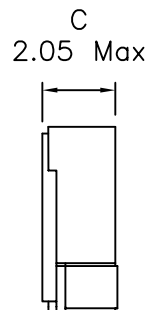
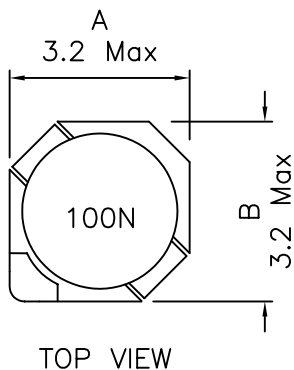
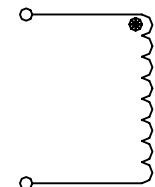


1. Mechanical Dimensions:



2. Schematic:



3. Electrical Specification:

OCL: $10\mu\text{H} \pm 30\%$ @100KHz 0.1V, 0Adc

DCR: 0.245 Ohms Max

IDC: 0.85Adc Max

Notes:

1. Solderability: Leads shall meet MIL-STD-202, Method 208D for solderability.
2. Flammability: UL94V-0
3. ASTM oxygen index: > 28%
4. Insulation System: Class F 155°C. UL file E151556
5. Operating Temperature Range: All listed parameters are to be within tolerance from -40°C to +85°C
6. Storage Temperature Range: -55°C to +125°C
7. Aqueous wash compatible
8. Magnetically shielded

DOC REV: A/4

XFMRs Inc.	Title: SMT INDUCTOR		
UNLESS OTHERWISE SPECIFIED TOLERANCES: .x ±0.25mm Dimensions in mm	P/N: XFTPRH2D18HP-100N		REV. A
	DWN.	罗振江	Jul-30-03
	CHK.	廖玉坤	Jul-30-03
SHEET 1 OF 1	APP.	Isaiah M	Jul-30-03