



Actual Size:
4.6 x 2.4 x 0.5in
(116,8 x 61,0 x 12,7mm)



High-Boost Harmonic Attenuation Module

Features & Benefits

- 675 Watts output power
- Unity power factor
- 85 – 264V_{AC} universal input
- Meets EN61000-3-2
- Short circuit protection
- Input surge limiting
- High efficiency
- RoHS compliant
- For use with Vicor's V375, VI-26x and VI-J6x DC-DC Converters

Product Overview

The high-boost HAM (Harmonic Attenuator Module) is a universal AC input, PFC front-end module that has been optimized for use with Vicor's V375 series of DC-DC converters.

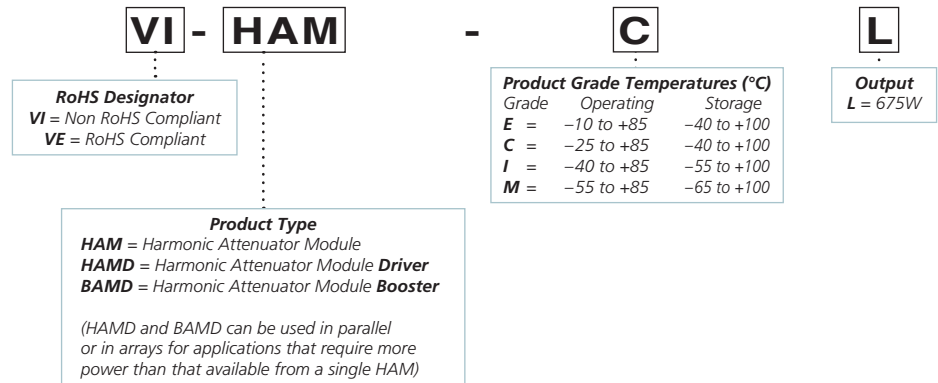
A single high-boost HAM may be used with any combination of V375 series DC-DC converters which are available in Micro, Mini and Maxi packages with up to 600 Watts of output power. Versions without internal diode bridges (HAMD and BAMD) can be operated in parallel to provide power expansion capability. The combination of the high-boost HAM with V375 DC-DC converters results in a power conversion system with twice the power density, fewer components and lower cost compared to previous HAM-based solutions.

In addition, the high-boost HAM is fully compatible with Vicor's VI-26x and VI-J6x series DC-DC converters. This gives designers the freedom to choose from the industry's broadest selection of DC-DC converters with outputs from 2 to 95V_{DC}, 50 – 600 Watts. The user need only provide external hold-up capacitors, a few discrete components, and a line filter (available from Vicor).

Absolute Maximum Ratings

Parameter	Rating	Unit	Notes
L to N voltage	265	V _{AC}	Continuous
	280	V _{AC}	100ms
Mounting torque	5 (0.57)	in- lbs (N-m)	# 6-32 or m3.5
Pin soldering temperature	750	°F	
	(400)	(°C)	
Operating temperature	-55 to +85	°C	M-Grade
Storage temperature	-65 to +100	°C	M-Grade
Auxiliary output	3	mA	

Part Numbering



For application information please see the [Design Guide](http://www.vicorpower.com) at www.vicorpower.com.

Electrical Characteristics

Electrical characteristics apply over the specified operating voltage range, output load and baseplate temperature, unless otherwise specified. All temperatures refer to the operating temperature of the baseplate. Specifications apply for AC mains having no more than 5% total harmonic distortion.

INPUT SPECIFICATIONS (HAM-xL, HAMD-xL, BAMD-xL)

Parameter	Min	Typ	Max	Unit	Notes
Operating input voltage HAM, HAMD, BAMD	85		264	V _{AC}	Rectified AC for HAMD, BAMD
AC line frequency	47		63	Hz	Unit will operate at 400Hz but may not meet PF or THD specs
Power factor	0.99				115 / 230V _{AC} , 50 – 100% load
Total harmonic distortion (line current)			7.5	%	115V _{AC} , sinusoidal input, full load
			8.5	%	230V _{AC} , sinusoidal input, full load
Inrush current			20	Amps	230V _{AC} , full load
			13	Amps	115V _{AC} , full load
CM Filter Inductance	3	6		mH	External to HAM module (see Fig. 10)
DM Filter Inductance	0.2	0.35	0.75	mH	External to HAM module (see Fig. 10)

OUTPUT SPECIFICATIONS

Parameter	Min	Typ	Max	Unit	Notes
Maximum output power			675	Watts	See power derating graph, Fig.3
Output voltage	278	280	282	V _{DC}	115V _{AC} In
	360	365	370	V _{DC}	230V _{AC} In (see Fig. 3)
Efficiency	90		91	%	115V _{AC} , sinusoidal input, full load
	93		94	%	230V _{AC} , sinusoidal input, full load
External hold up capacitance per HAM	500		3,000	μF	300W, 500μF minimum, external to HAM
					675W, 1,000μF minimum, external to HAM
Ride through / hold up time	16			ms	675W output with 1,000μF hold up capacitor, external to HAM
Ripple		7	10	Vp-p	115V _{AC} , full load, 1,000μF hold up capacitor, external to HAM
		5	6	Vp-p	230V _{AC} , full load, 1,000μF hold up capacitor, external to HAM
Short circuit shut down current			100	mA	Foldback current limiting

CONTROL SPECIFICATIONS

Parameter	Min	Typ	Max	Unit	Notes
Power OK threshold		270		V _{DC}	
Module enable/disable threshold	240	250	260	V _{DC}	
Auxiliary output	19		23	V _{DC}	≤ 3mA
			3	mA	Do not overload or add external capacitance

Electrical Characteristics (Cont.)

ELECTROMAGNETIC COMPATIBILITY

Parameter	Standard	Notes
Transient / surge immunity	EN61000-4-5	1kV L-N, 2kV L-PE, 30205 filter and 30076 MOV
Line disturbance / immunity	EN61000-4-11	Main's interruption or brown out
Flicker / inrush	EN61000-3-3	20A peak inrush at 230V _{AC} input
Harmonic current	EN61000-3-2	7.5% THD

SAFETY SPECIFICATIONS

Parameter	Min	Typ	Max	Unit	Notes
Isolation (IN to OUT)		None			Isolation provided by DC-DC converters
Dielectric withstand (I/O to baseplate)	2,121			V _{DC}	Baseplate earthed
Capacitance		150		pF	Input to baseplate

AGENCY APPROVALS

Safety Standards	Markings	Notes
UL60950-1, EN60950-1, CSA 60950-1	cTÜVus, cURus CE Marked	Low Voltage Directive

GENERAL SPECIFICATIONS

Parameter	Min	Typ	Max	Unit	Notes
Size		4.6 x 2.4 x 0.5 (116,8 x 61,0 x 12,7)		in (mm)	
Weight		6.4 (180)		oz (g)	
Pin material		Solder plate over copper alloy			
Cover material		GE ULtem 2100 black #7310 UL94-VO rated			
Thermal shut down	90		100	°C	Baseplate temperature
MTBF					
HAM	420,000			hrs	GB, 25°C
HAMD	424,000			hrs	GB, 25°C
BAMD	818,000			hrs	GB, 25°C

Technical Description

The HAM (Figure 1) consists of a full-wave rectifier, a high-frequency zero-current switching (ZCS) boost converter, active inrush current limiting, short-circuit protection, control and housekeeping circuitry. The incoming AC line is rectified and fed to the boost converter. The control circuitry varies the operating frequency of the boost converter to maintain the output voltage of the HAM above the peak of the incoming line, while forcing the input current to follow the waveshape and phase of the line voltage. The AC input current follows the voltage waveform and a power factor better than 0.99 is achieved. Operating efficiency of the boost converter is optimized at any incoming line voltage by an adaptive output voltage (Figure 3) control scheme.

The output voltage of the HAM is a function of incoming AC line voltage (Figure 3). On a nominal 115V_{AC} line, the output voltage of the HAM is 280V_{DC} — well within the input operating voltage range of Vicor V375 DC-DC converters. Above 180V_{AC} input, the output voltage linearly increases with input voltage. At 230V_{AC} the delivered voltage will be approximately 365V_{DC}. For any given input line voltage, the HAM maintains enough headroom between the output voltage and peak input voltage to ensure high quality active power factor correction without sacrificing operating efficiency.

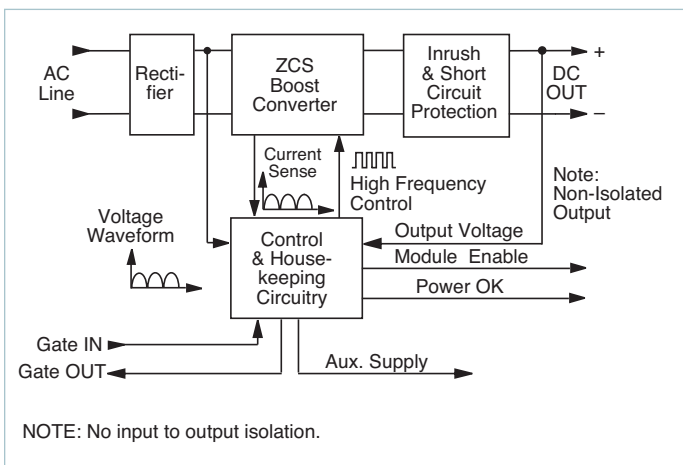


Figure 1 — HAM block diagram

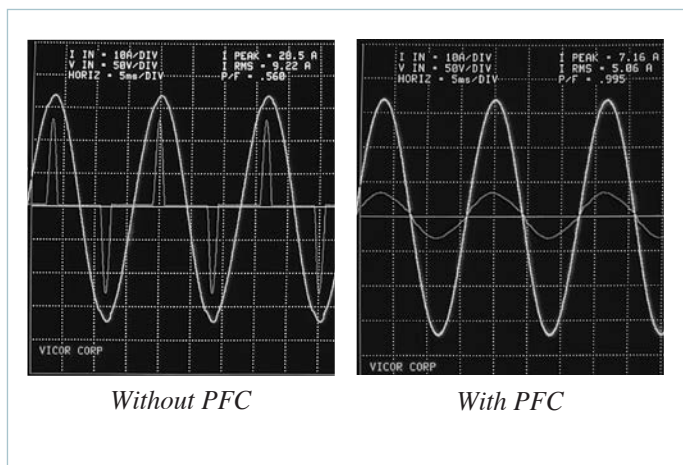


Figure 2 — Input voltage and current wave forms, with and without power factor correction

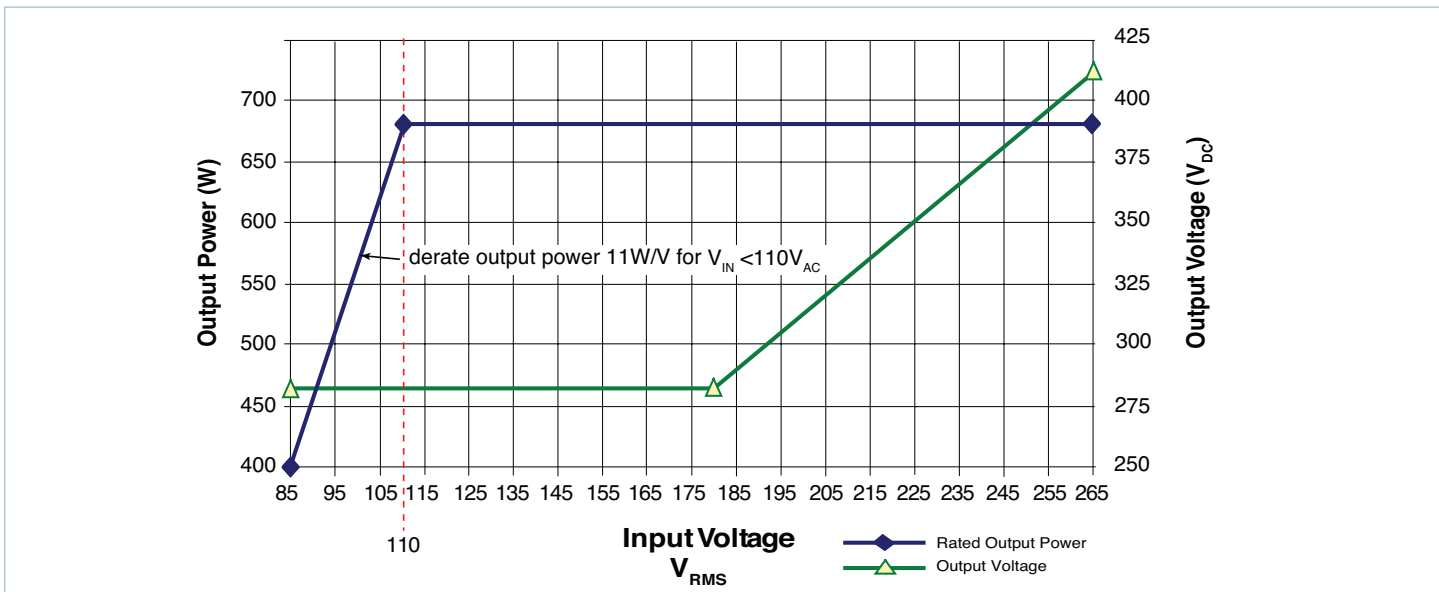


Figure 3 — Output voltage and power rating versus input voltage

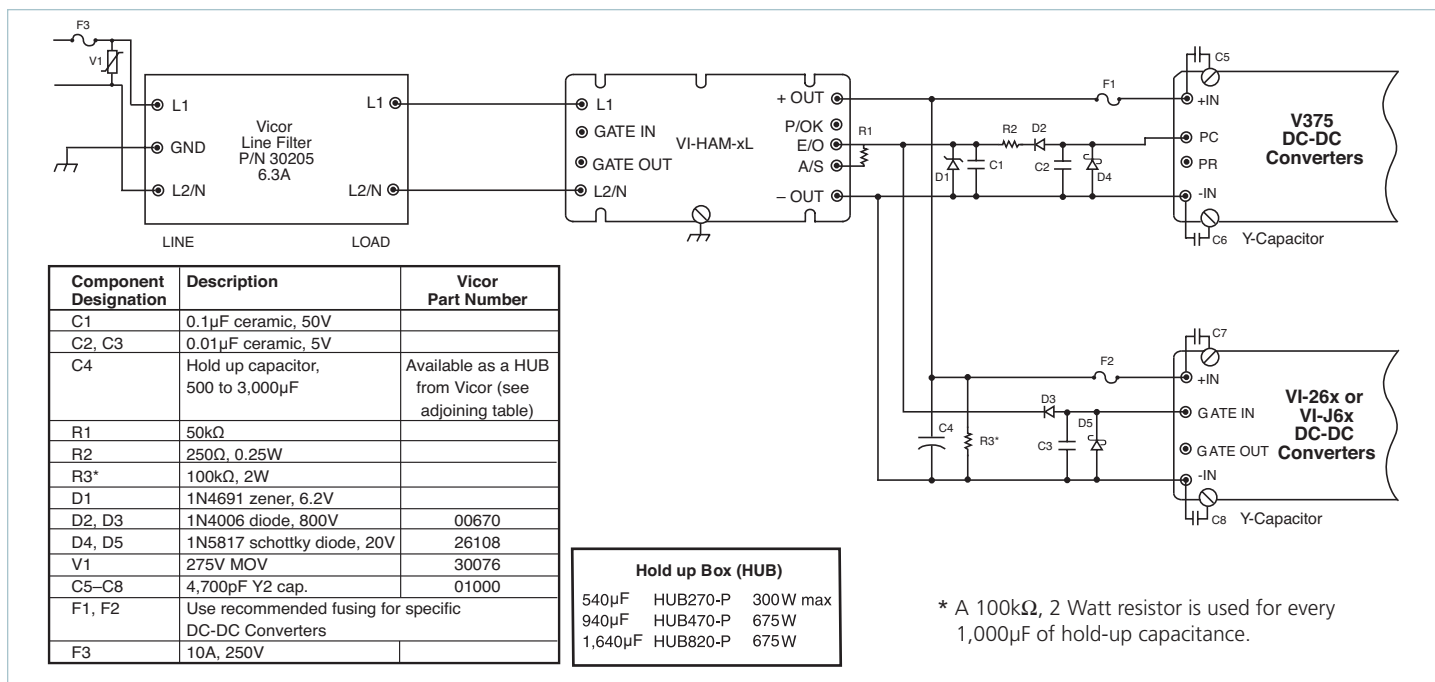


Figure 4 — Connection diagram HAM / DC-DC converters

Pin Function / Description

L1 and L2/N (HAM)

An appropriate line filter is required to limit conducted emissions and ensure reliable operation of the HAM, see Page 8. Connect single phase AC mains to the input of the line filter via a 10A, 250V fuse. Connect the output of the filter to L1 and L2/N of the HAM. Do not put an X-capacitor across the input of the HAM or use a line filter with an X-capacitor on its output as power factor correction may be impacted.

+IN, -IN (HAMD, BAMD)

These pins are connected to the output of the external bridge rectifier in HAMD / BAMD configurations (Figure 5).

GATE IN (HAM)

The user should not make any connection to this pin.

GATE IN (HAMD)

This pin provides line voltage envelope and phase information for power factor correction. This connection must be made through the synchronization diodes between the line filter and bridge rectifier (Figure 5).

GATE IN (BAMD)

The Gate In pin is an interface pin to the Gate OUT pin of a HAMD or BAMD depending on configuration. The user should not make any other connection to this pin.

GATE OUT

The Gate Out pin is a synchronization pin for HAMD/BAMD arrays; the user should not make any other connection to this pin.

+OUT and -OUT

Connect the +OUT of the HAM to the +IN of the respective Vicor DC-DC converters with the recommended fuse. Connect the -OUT of the HAM to the -IN of the converters. In addition, an external hold-up capacitor of 1,000µF with a minimum voltage rating of 450V_{DC}, is required (across the output of the HAM) for 16 ms ride through time at full power (500µF for half power, etc). This capacitor must be in close proximity to the HAM. Do not exceed 3,000µF of total output capacitance. Lower values of capacitance may be used for reduced hold up requirements, but not less than 500µF. Lower capacitance values may degrade power factor specifications.

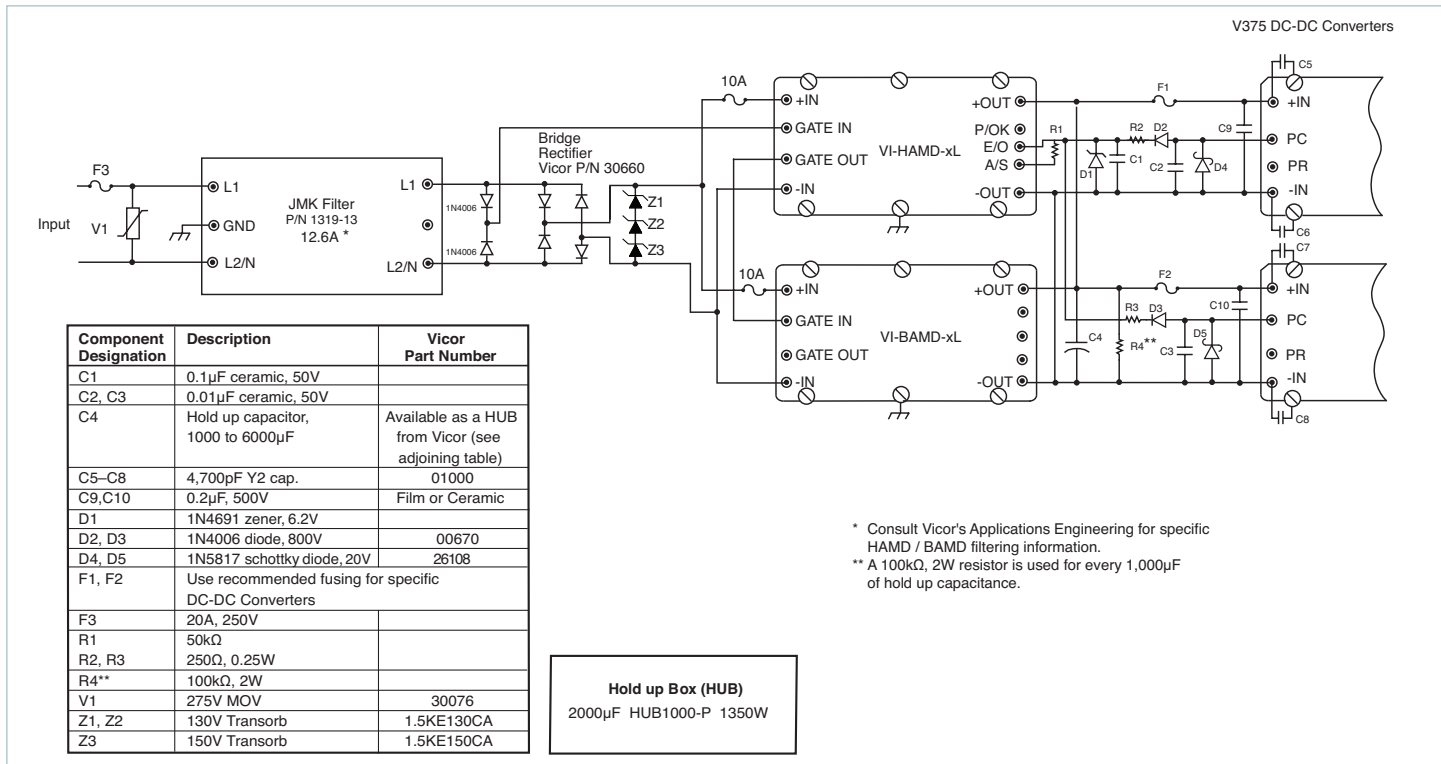


Figure 5 — Connection Diagram, HAMD / BAMD / V375 DC-DC Converters
 HAMD-CL Driver HAM: No internal bridge rectifier or synchronization diodes.
 BAMD-CL Booster HAM: Companion module to HAMD-CM used for additional output power. No internal bridge rectifier.

Pin Function / Description (Cont.)

A/S

The HAM provides a low voltage non isolated output Auxiliary Supply (A/S) that may be used to power primary side control and monitoring circuitry. This output is 19 – 23V_{DC}, referenced to –OUT, at 3mA max. Do not overload or short this output as the HAM will fail. A typical use for A/S is to power an optical coupler that isolates the Power OK signal (Figure 6).

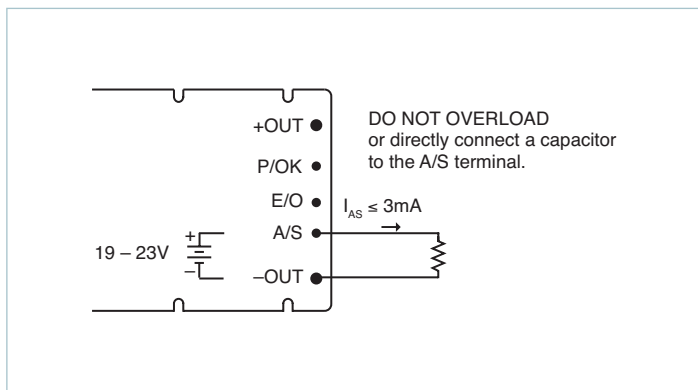


Figure 6 — Auxiliary Supply (A/S)

E/O

The Enable Output (E/O) is used to inhibit the DC-DC converters at start up until the hold up capacitors are charged, at which time Enable is asserted high (open state, Figure 8). If the AC line fails, E/O goes low when the DC output of the HAM drops below 250V_{DC}.

E/O must be connected to the Gate Input of all VI-26x and VI-J6x drivers and / or the PC pin of the V375 DC-DC converters (Figure 4); failure to do so may cause the converters to toggle on and off. If an external load is connected directly to the output of the HAM, do not apply the load until the output hold up capacitor(s) are fully charged.

In applications using VI-26x drivers and VI-26x boosters, the E/O pin should be connected to the Gate In pin of the driver module only, it is not necessary to connect this pin to boosters as they are controlled by their respective driver.

The E/O pin ancillary circuitry illustrated in Figures 4 and 5 provides transient immunity. The illustrated circuitry is the minimum required, see Figures 4 and 5.

P/O

P/O function is no longer supported.

Pin Function / Description (Cont.)

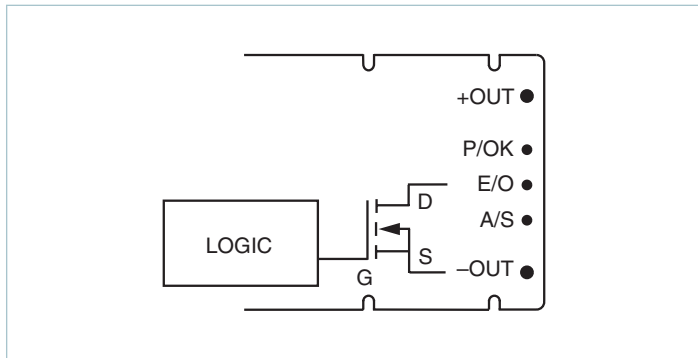


Figure 7 — Enable / Output (E/O)

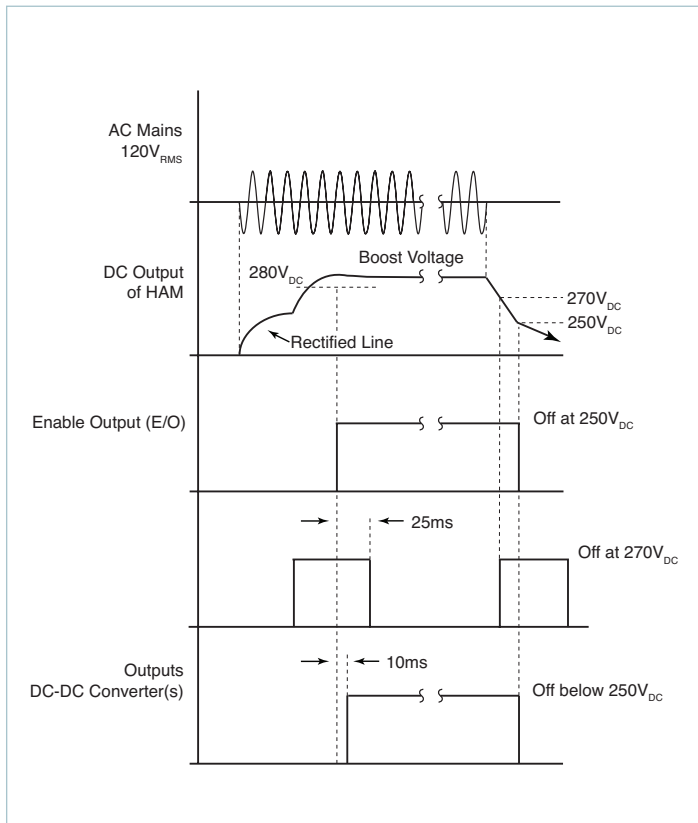


Figure 8 — Start up / shut down timing diagram

Line Filter for High Boost HAM

A line filter is required to provide attenuation of conducted emissions generated by the HAM module and to protect it from line transients. It also presents a well defined high frequency AC line impedance to the input of the HAM. To meet the listed specifications, Vicor's P/N 30205 line filter/transient suppressor or equivalent must be used, see Figure 9. The addition of a MOV external to this filter is required to meet normal mode transient surge requirements.

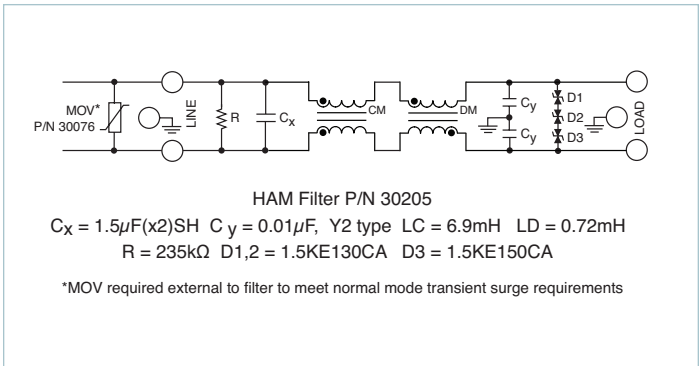


Figure 9 — Required HAM filter, Vicor part # 30205

For applications using HAMD + BAMD or where the user desires to construct a custom HAM filter, the filter should be designed following Figure 9, the schematic of Vicor's P/N 30205 filter. The current carrying capability of the inductors must be scaled proportionally to the number of HAM modules used. Inductance values must be selected according to Table 1. These limits are to ensure proper operation of the HAM and do not guarantee a system will meet conducted emissions specifications.

Parameter	Min	Typ	Max	Unit
Differential Mode Inductance (LD)	0.2	0.35	0.75	mH
Common Mode Inductance (LC)	3	6		mH

Table 1 — HAM filter inductance range

For applications requiring magnetic field shielding, do not place a ferrous EMI shield over the plastic cover of the HAM module. This can cause thermal problems due to induction heating effects.

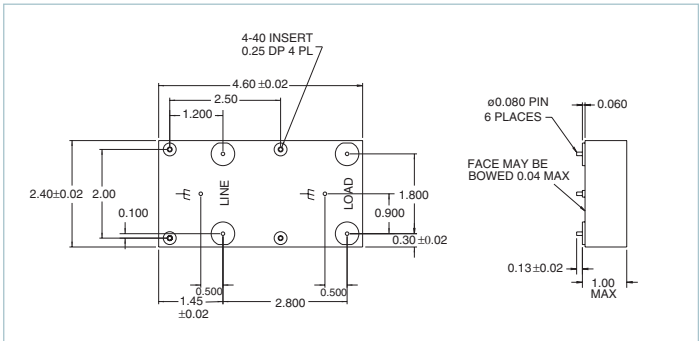


Figure 10 — HAM filter #30205 mechanical diagram

Pin Function / Description (Cont.)

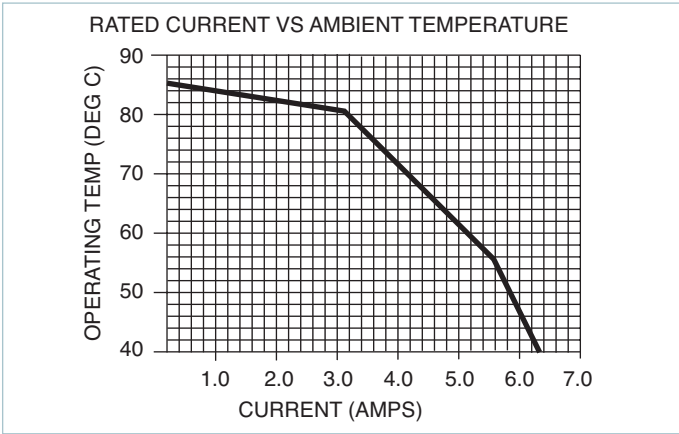


Figure 11 — HAM filter #30205 current rating vs. temperature

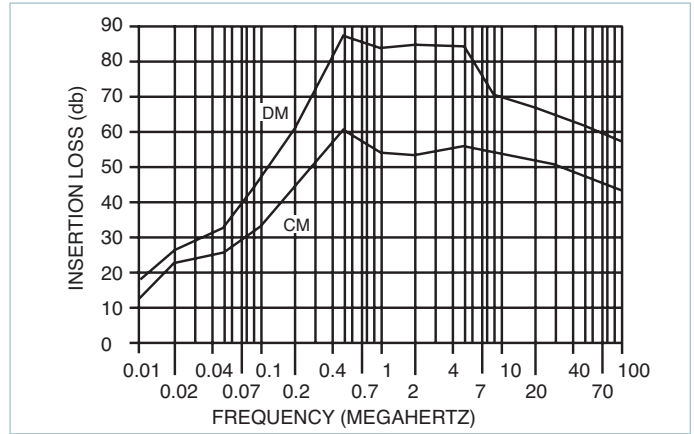


Figure 12 — HAM filter #30205 insertion loss vs. frequency

Parameter	Min	Typ	Max	Unit
Operating voltage	85		250	V _{AC}
Operating temperature (See Fig.12)	-20		40	°C
Leakage current at 264V _{AC} , 63Hz (Either line to earth)			1.2	mA
Operating current			6.3	A
Dielectric withstand (line – case)			1500	V _{AC}
Residual voltage after 1 sec.			34	V
Operating frequency	50		60	Hz
Agency Approvals		UL, CSA, TÜV		

Table 2 — HAM filter part #30205 specifications

Safety Notes

Each HAM, HAMD or BAMD module must be preceded by a safety agency recognized fast-blow 10A 3AG fuse.

The HAM is not isolated from the line – either input or output; a line isolation transformer must be used when making scope measurements. HAMs do not provide input to output isolation. Differential probes should be used when probing the input and output simultaneously to avoid destructive ground loops.

Protective Features

Over Temperature Shut Down

The HAM is designed to shut down when the temperature of the baseplate exceeds 90°C. Do not operate the HAM above its maximum operating temperature of 85°C.

Short Circuit Protection

The HAM contains output short circuit protection. Operation of this function does not clear the input fuse and the output will resume normal operation after removal of the fault. A short

Mechanical Drawing

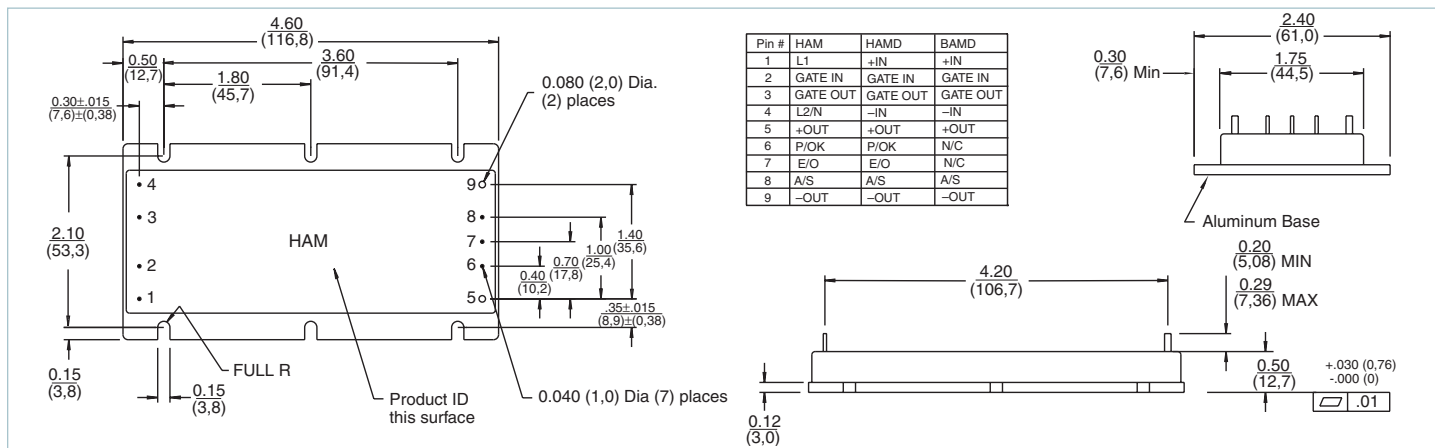


Figure 13 — HAM / HAMD / BAMD Module Outline

Note: Mounting a High Boost HAM and Maxi, Mini or Micro DC-DC converter to the same heat sink will require the use of custom length standoffs or a step in the heat sink mounting surface. This is due to a mechanical stack up difference between the HAM and Maxi, Mini, and Micro converters that leads to incompatible baseplate height above the PCB.

period of time may be required to allow for cooling of an internal temperature sensor.

Output Over Voltage Protection

The HAM contains output over voltage protection. In the event the output voltage exceeds approximately 420V_{DC}, the boost will decrease to maintain 420V_{DC} on the output. When the peak of the AC line exceeds 420V (approximately 293V_{AC}) the boost will have been reduced to zero and the E/O line will be pulled low shutting down the converters. Beyond this the protection circuit will be enabled and the output voltage will decrease.

Storage

Vicor products, when not installed in customer units, should be stored in ESD safe packaging in accordance with ANSI/ESD S20.20, "Protection of Electrical and Electronic Parts, Assemblies and Equipment" and should be maintained in a temperature controlled factory/ warehouse environment not exposed to outside elements controlled between the temperature ranges of 15°C and 38°C. Humidity shall not be condensing, no minimum humidity when stored in an ESD compliant package.

Vicor's comprehensive line of power solutions includes high density AC-DC and DC-DC modules and accessory components, fully configurable AC-DC and DC-DC power supplies, and complete custom power systems.

Information furnished by Vicor is believed to be accurate and reliable. However, no responsibility is assumed by Vicor for its use. Vicor makes no representations or warranties with respect to the accuracy or completeness of the contents of this publication. Vicor reserves the right to make changes to any products, specifications, and product descriptions at any time without notice. Information published by Vicor has been checked and is believed to be accurate at the time it was printed; however, Vicor assumes no responsibility for inaccuracies. Testing and other quality controls are used to the extent Vicor deems necessary to support Vicor's product warranty. Except where mandated by government requirements, testing of all parameters of each product is not necessarily performed.

Specifications are subject to change without notice.

Visit <http://www.vicorpower.com/ham> for the latest product information.

Vicor's Standard Terms and Conditions and Product Warranty

All sales are subject to Vicor's Standard Terms and Conditions of Sale, and Product Warranty which are available on Vicor's webpage (<http://www.vicorpower.com/termsconditionswarranty>) or upon request.

Life Support Policy

VICOR'S PRODUCTS ARE NOT AUTHORIZED FOR USE AS CRITICAL COMPONENTS IN LIFE SUPPORT DEVICES OR SYSTEMS WITHOUT THE EXPRESS PRIOR WRITTEN APPROVAL OF THE CHIEF EXECUTIVE OFFICER AND GENERAL COUNSEL OF VICOR CORPORATION. As used herein, life support devices or systems are devices which (a) are intended for surgical implant into the body, or (b) support or sustain life and whose failure to perform when properly used in accordance with instructions for use provided in the labeling can be reasonably expected to result in a significant injury to the user. A critical component is any component in a life support device or system whose failure to perform can be reasonably expected to cause the failure of the life support device or system or to affect its safety or effectiveness. Per Vicor Terms and Conditions of Sale, the user of Vicor products and components in life support applications assumes all risks of such use and indemnifies Vicor against all liability and damages.

Intellectual Property Notice

Vicor and its subsidiaries own Intellectual Property (including issued U.S. and Foreign Patents and pending patent applications) relating to the products described in this data sheet. No license, whether express, implied, or arising by estoppel or otherwise, to any intellectual property rights is granted by this document. Interested parties should contact Vicor's Intellectual Property Department.

Contact Us: <http://www.vicorpower.com/contact-us>

Vicor Corporation

25 Frontage Road
Andover, MA, USA 01810
Tel: 800-735-6200
Fax: 978-475-6715
www.vicorpower.com

email

Customer Service: custserv@vicorpower.com
Technical Support: apps@vicorpower.com

©2017 Vicor Corporation. All rights reserved. The Vicor name is a registered trademark of Vicor Corporation.
All other trademarks, product names, logos and brands are property of their respective owners.