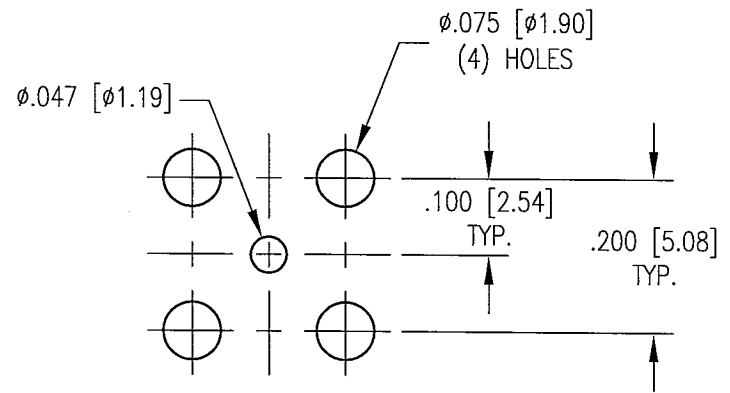
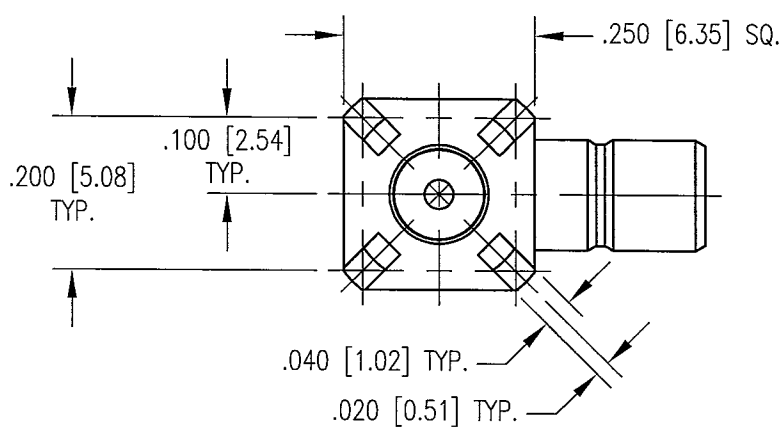
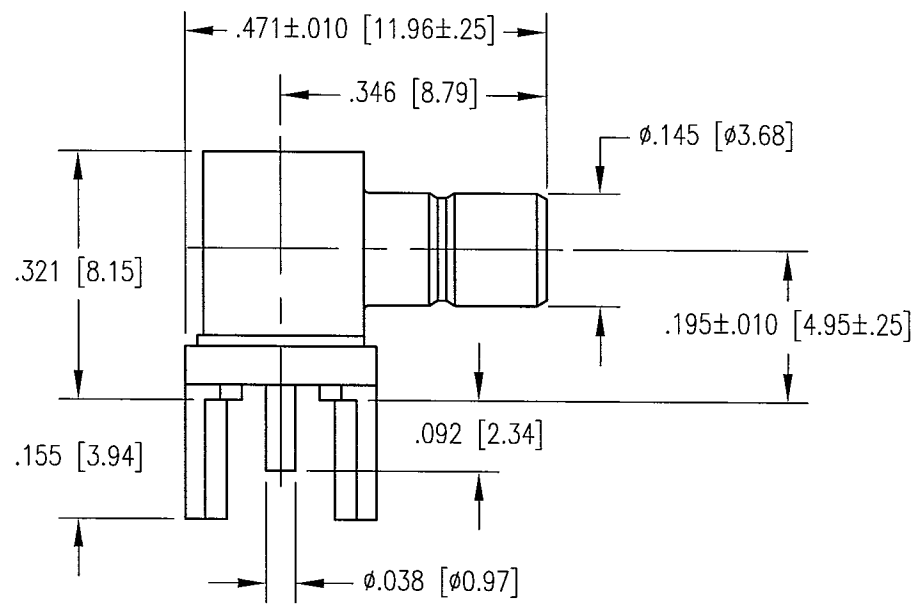


REV	DESCRIPTION	BY DATE	APPD
D	ECR 7180	1/9/02	[Signature]



RECOMMENDED MOUNTING HOLE

NOTES:

1. MATERIALS:  
 BODY AND CONTACT: BRASS PER ASTM B16  
 INSULATOR: TEFLON PER ASTM D1710
2. FINISH:  
 BODY: .000015 MIN. GOLD PER MIL-G-45204 OVER  
 .000100 MIN. COPPER PER MIL-C-14550  
 CONTACT: .000030 MIN. GOLD PER MIL-G-45204 OVER  
 .000100 MIN. COPPER PER MIL-C-14550

PER ASME Y14.5M-1994 UNLESS OTHERWISE SPECIFIED: DIMENSIONS ARE IN INCHES [MM]				<b>Litton</b> Winchester/Retconn 400 Park Road Watertown, Connecticut 06795			
TOLERANCES: DECIMALS: .XX ± .01/0.254 .XXX ± .005/0.127 ANGLES ± 2° SCALE: 4:1				TITLE SMB RIGHT ANGLE P.C. MOUNT			
CUSTOMER DRAWING				SHEET 1 1			
DRAWN CPC	DATE 11/12/93	CHECKED DLD	DATE 11/12/93	APPROVED DLD	DATE 11/12/93		
A 513-060-0049J				REV. D	D		