



8071-4649
Data Cable Assembly for Media Converters
050-207, 057-0058

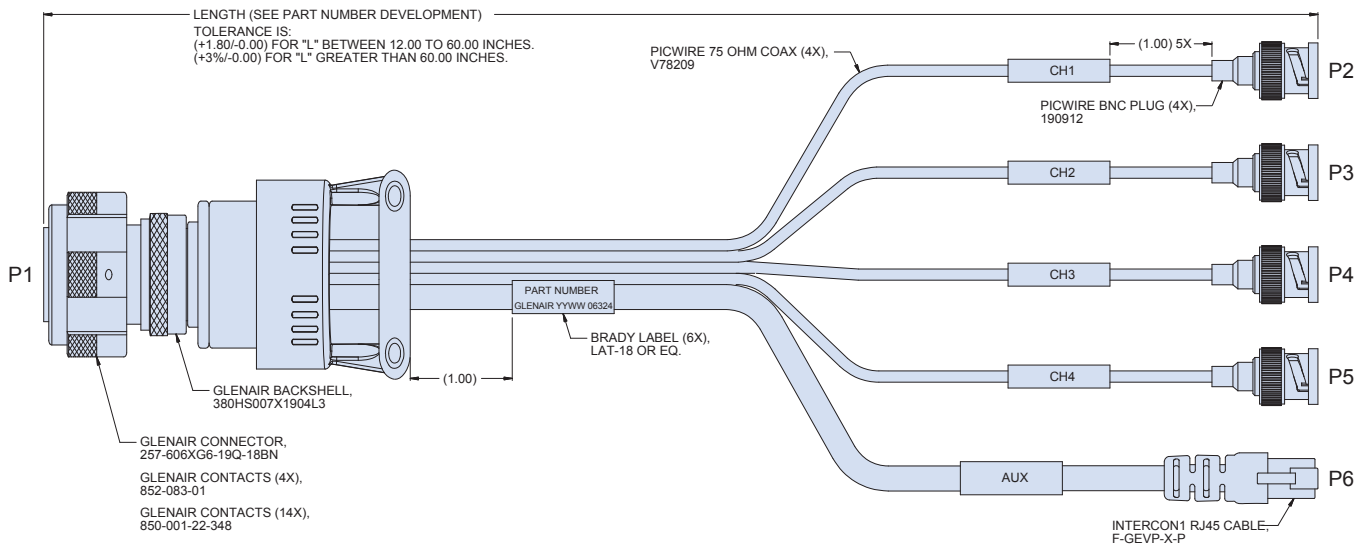
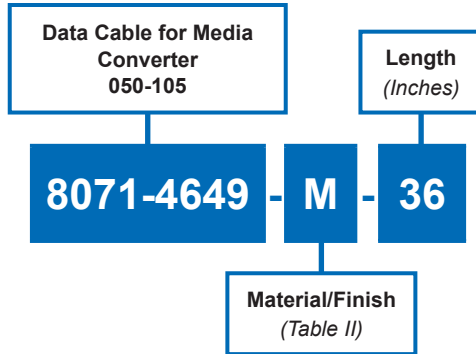


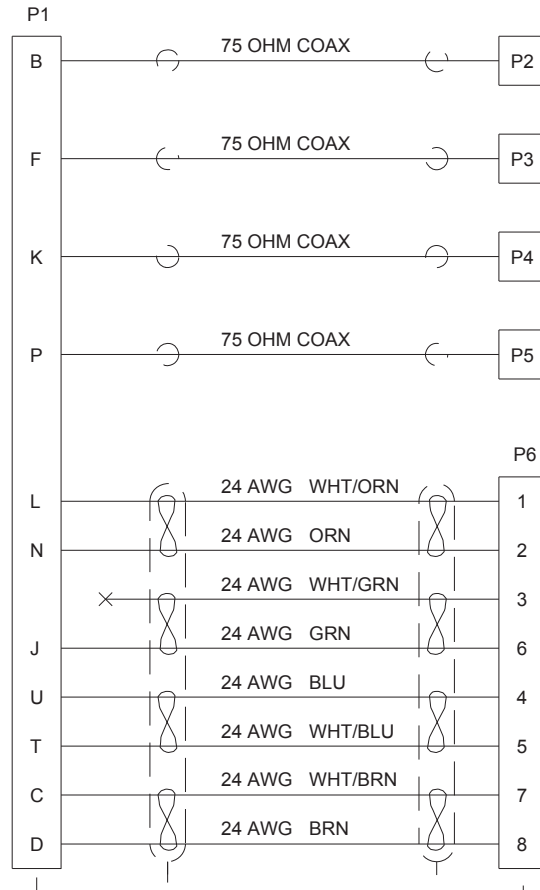
Table II: Material And Finish		
SYM	Material	Finish Description
M	Aluminum	Electroless Nickel
MT		Nickel - PTFE
NF		Cadmium, Olive Drab
ZN		Zinc-Nickel, Olive Drab
ZNU		Zinc-Nickel, Blac
Other finishes available, consult factory		

Notes

100% Electrical test, continuity, DWV (500 VAC sea level) and insulation resistance (200 megohms minimum)
 Refer to Glenair catalog for connector materials, finishes and dimensions.
 Unit pack: 1 each in 4 mil poly bag, heat sealed, tagged per illustration



WIRING DIAGRAM



Mouser Electronics

Authorized Distributor

Click to View Pricing, Inventory, Delivery & Lifecycle Information:

[Glenair:](#)

[8071-4649-M-72](#)