

PLEASE CHECK WWW.MOLEX.COM FOR LATEST PART INFORMATION

Part Number: [0475059302](#)

Status: **Active**

Overview:

Description: 1.00mm (.039") Pitch, PCI Express* Connector, 164 Circuits, Nylon 4/6 Glass-filled, Black Housing, Phosphor Bronze, 0.38µm (15µ") Gold (Au) Plating, with Plastic Pegs, 2.54mm (.100") Solder tail, with Front-type Latch, Lead Free

General

Product Family	Edge Card Connectors
Series	87715
Comments	With Integrated Front-type Latch
Component Type	Edgecard to PCB
Overview	pci_express_card_edge_connector
Product Name	PCI Express*

Physical

Circuits (Loaded)	164
Circuits (maximum)	164
Circuits Detail	All Signal
Color - Resin	Black
Durability (mating cycles max)	50
Entry Angle	Vertical
Keying to Mating Part	Yes
Material - Metal	Phosphor Bronze
Material - Plating Mating	Gold
Material - Plating Termination	Tin
Material - Resin	High Temperature Thermoplastic, Nylon
PC Tail Length (in)	0.100 In
PC Tail Length (mm)	2.54 mm
PCB Locator	Yes
PCB Retention	Yes
PCB Thickness Recommended (in)	0.062 In
PCB Thickness Recommended (mm)	1.58 mm
Packaging Type	Tray
Pitch - Mating Interface (in)	0.039 In
Pitch - Mating Interface (mm)	1.00 mm
Pitch - Term. Interface (in)	0.039 In
Pitch - Term. Interface (mm)	1.00 mm
Plating min: Mating (µin)	15
Plating min: Mating (µm)	0.375
Plating min: Termination (µin)	100
Plating min: Termination (µm)	2.5
Polarized to Mating Part	Yes
Temperature Range - Operating	-55°C to +85°C
Termination Interface: Style	Through Hole

Electrical

Current - Maximum per Contact	1.1A
Voltage - Maximum	50V AC (RMS)/DC

Material Info

Reference - Drawing Numbers

Packaging Specification	PK-47505-001
Product Specification	PS-47505-001
Sales Drawing	SD-47505-001
Test Summary	TS-47505-001

EU RoHS

**ELV and RoHS
Compliant**

REACH SVHC

Not Reviewed

Halogen-Free

Status

Not Reviewed

China RoHS



**Need more information on product
environmental compliance?**

Email productcompliance@molex.com
For a multiple part number RoHS Certificate of
Compliance, [click here](#)

Please visit the [Contact Us](#) section for any
non-product compliance questions.

Search Parts in this Series

[87715Series](#)

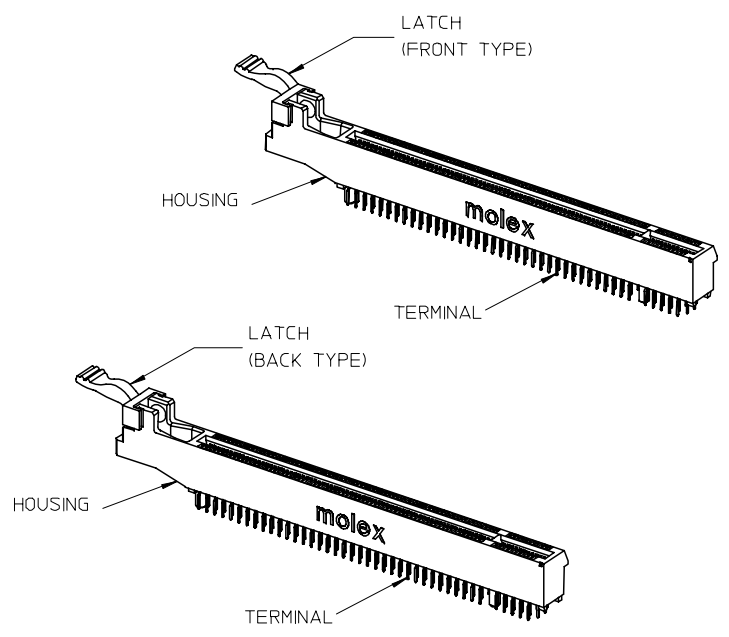
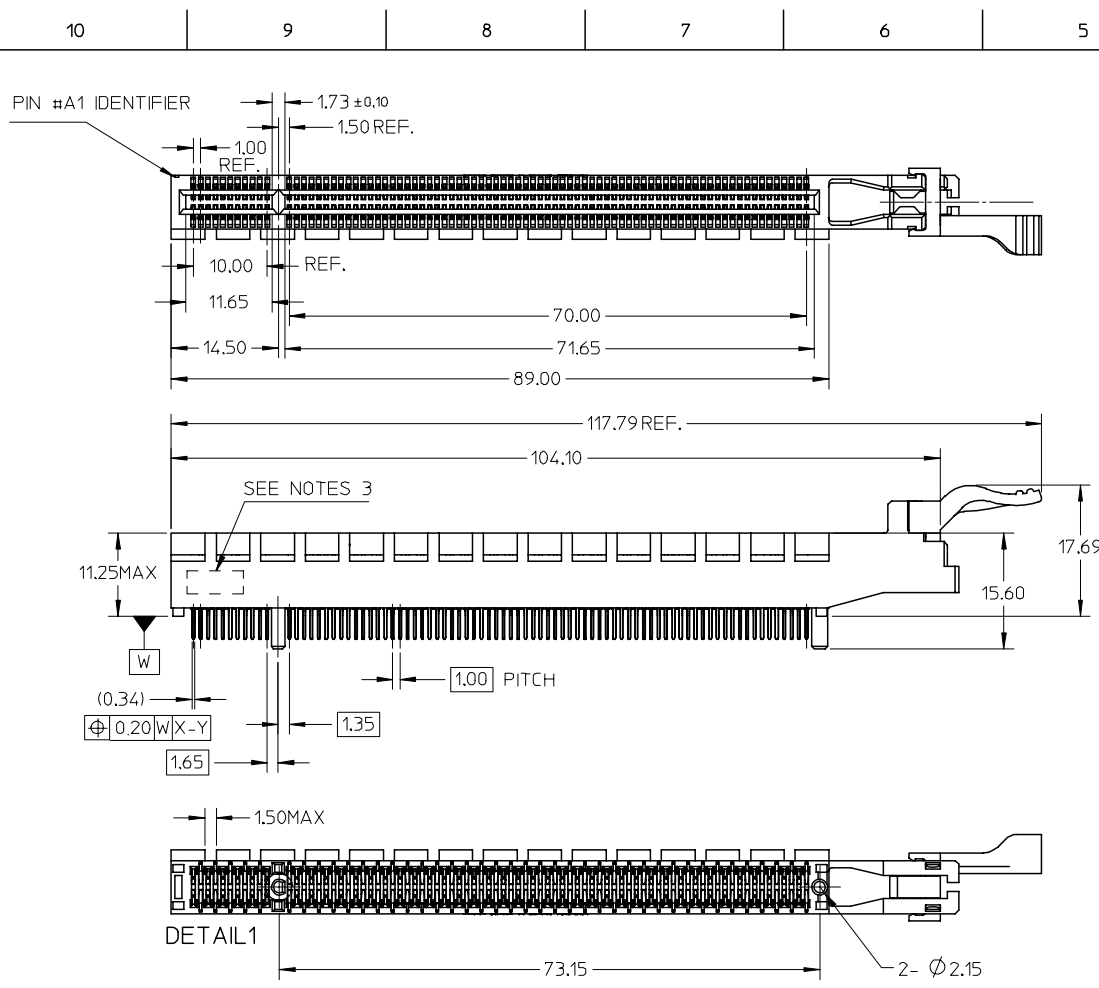
Mates With

PCI Express Card

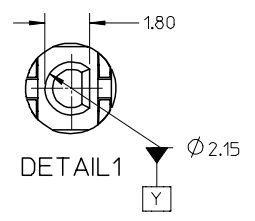
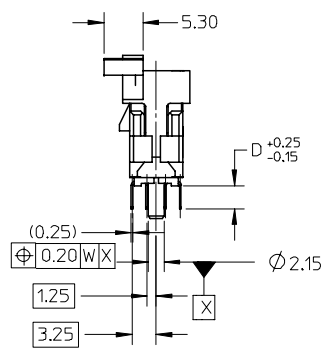
| * PCI Express is a registered trademark of PCI-SIG®

This document was generated on 06/04/2010

PLEASE CHECK WWW.MOLEX.COM FOR LATEST PART INFORMATION

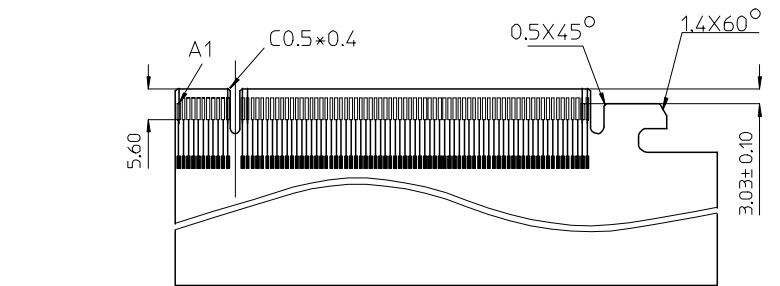
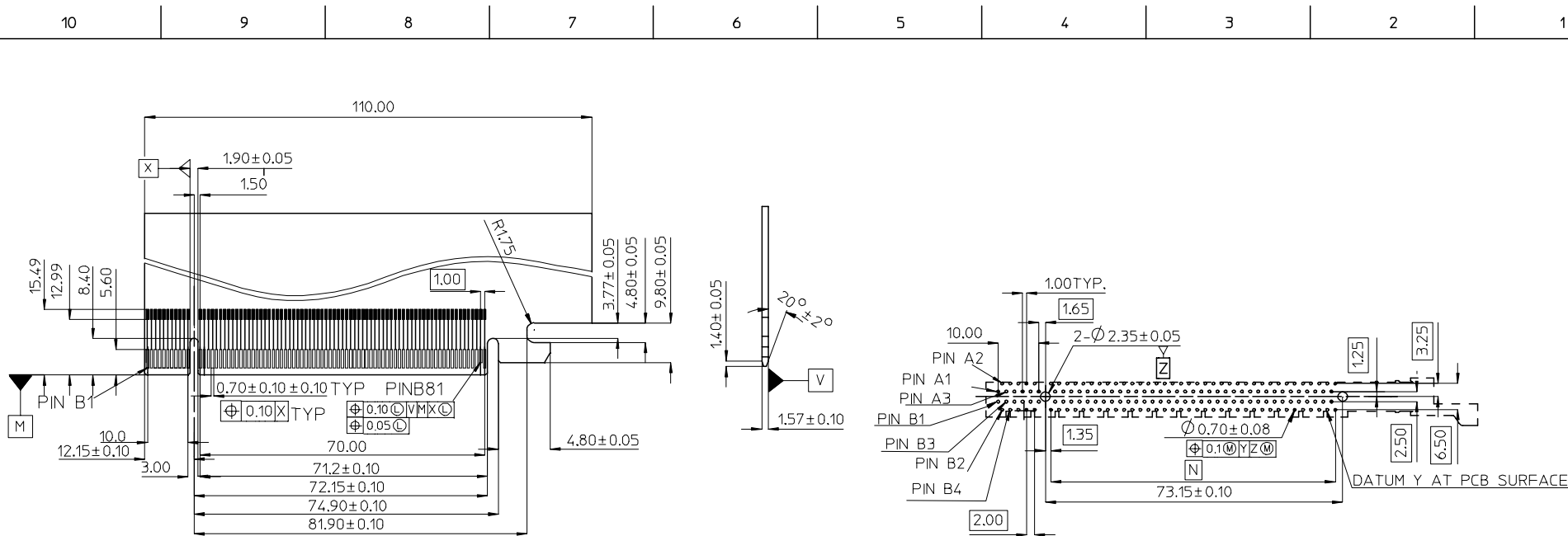


DIM'D'	PCB THK REF.
2.54	1.58
3.10	2.36



NOTES:
 1.MATERIALS:
 1-1.HOUSING:SEE TABLE .GLASS FIBER FILLED UL94V-0.COLOR:SEE TABLE.
 1-2.TERMINAL: SEE TABLE
 1-3.LATCH:NYLON66,GLASS FIBER FILLED UL94V-0.COLOR:BLACK.
 2.PLATING:
 TERMINAL :
 2-1.CONTACT AREA:SEE TABLE .
 2-2.SOLDER TAIL:SEE TABLE.
 2-3.UNDER PLATING: 50 MICROINCH MIN. NICKEL PLATING OVERALL.
 3.DATE CODE: YY MM DD.
 4.PART 47505**** COMPLIANT TO ROHS DIRECTIVE 2002/95/EC AND ELV DIRECTIVE 2000/53/EC.

REV	DESCRIPTION	QUALITY SYMBOLS	GENERAL TOLERANCES (UNLESS SPECIFIED)		DIMENSION STYLE		SCALE	DESIGN UNITS	THIRD ANGLE PROJECTION		
			mm	INCH	MM ONLY	DATE			METRIC	DATE	TITLE
A	NEW RELEASE EC NO: SH2008-0170 DRWN:DRU CHKD:ROST ZHANG APPR:HWANG	▽=0 ▽=0	4 PLACES	± ---	± ---	DRAWN BY	2:1	METRIC	DAVID HU	2007/05/08	1.0MM PITCH PCI-EXPRESS 164CKTS W/RM LEAD-FREE
			3 PLACES	± ---	± ---	CHECKED BY			HARVEY	2007/05/08	
			2 PLACES	± 0.25	± ---	APPROVED BY			JENNY CHEN	2007/05/08	
			1 PLACE	± ---	± ---	MATERIAL NO.					
			ANGULAR ± 3 °			DATE					
			DRAFT WHERE APPLICABLE MUST REMAIN WITHIN DIMENSIONS			SEE TABLE					
			SIZE			DOCUMENT NO.			SD-47505-001		
			A3			THIS DRAWING CONTAINS INFORMATION THAT IS PROPRIETARY TO MOLEX INCORPORATED AND SHOULD NOT BE USED WITHOUT WRITTEN PERMISSION			SHEET NO. 1 OF 4		



MODULE LAYOUT(MATING PART ONLY)
(TOLERANCE:±0.10MM)

- 1.NO TIE BAR PERMITTED FROM CARD EDGE TO LEADING EDGE OF PAD FOR PINS A1 AND "B81".
- 2.CHAMFER EDGES MUST BE FREE OF CUTTING BURRS.
- 3.TO THE PCB LAYOUT:THE HORIZONTAL AXIS FOR THE HOLE PATTERN IS ESTABLISHED BY A LINE THROUGH THE CENTER OF THE TWO Ø2.35 HOLES.
THE VERTICAL AXIS IS 90° TO THE HORIZONTAL AXIS.THE CENTRE OF DATUM Z.

NEW RELEASE EC NO: SH2008-0170 DRWN:DHU CHKD:ROST ZHANG APPR:HWANG	2007/10/15 2007/10/15 2007/11/13	QUALITY SYMBOLS ▽=0 ◻=0	GENERAL TOLERANCES (UNLESS SPECIFIED)		DIMENSION STYLE MM ONLY		SCALE 2:1	DESIGN UNITS METRIC	THIRD ANGLE PROJECTION			
			4 PLACES	± ---	± ---	DRAWN BY DAVID HU	DATE 2007/05/08	TITLE 1.0MM PITCH PCI-EXPRESS 164CKTS W/RM LEAD-FREE				
			3 PLACES	± ---	± ---	CHECKED BY HARVEY	DATE 2007/05/08	APPROVED BY JENNY CHEN				
			2 PLACES	± 0.25	± ---	APPROVED BY JENNY CHEN		DATE 2007/05/08	MATERIAL NO.		DOCUMENT NO. SD-47505-001	
A	REV	DESCRIPTION	DRAFT WHERE APPLICABLE MUST REMAIN WITHIN DIMENSIONS		SIZE A3		SEE TABLE		SHEET NO. 2 OF 4			

	10	9	8	7	6	5	4	3	2	1
		MOLEX P/N	HOUSING MATERIAL	HOUSING COLOR	TERMINAL MATERIAL	CONTACT PLATING	SOLDER TAIL PLATING	SOLDER TAIL "D" LENGTH	DESCRIPTION	LATCH TYPE
F		47505-9300	NYLON 46	BLACK	PHOSPHOR BRONZE	GOLD FLASH	100 MICROINCH TIN OVER 50 MICROINCH NICKEL OVER ALL	2.54	TOOLED	FRONT TYPE
		47505-9302				15 MICROINCH				
		47505-9310		NATURAL(WHITE)		GOLD FLASH				
		47505-9312				15 MICROINCH				
E		47505-9320		BLUE (287U)		GOLD FLASH				
		47505-9322				15 MICROINCH				
		47505-9330		GREEN (348C)		GOLD FLASH				
		47505-9332				15 MICROINCH				
		47505-9340		PURPLE (2736U)		GOLD FLASH				
D		47505-9342				15 MICROINCH				
		47505-3303		BLACK		GOLD FLASH				
		47505-3305				15 MICROINCH				
		47505-3313		NATURAL(WHITE)		GOLD FLASH				
		47505-3315				15 MICROINCH				
C		47505-3323		BLUE (287U)		GOLD FLASH				
		47505-3325				15 MICROINCH				
		47505-3333		GREEN (348C)		GOLD FLASH				
		47505-3335				15 MICROINCH				
		47505-3343		PURPLE (2736U)		GOLD FLASH				
B		47505-3345				15 MICROINCH				

NEW RELEASE EC NO: SH2008-0170 DRWN:DRU 2007/10/15 CHK:ROST ZHANG 2007/10/15 APPR:HWANG 2007/11/13	QUALITY SYMBOLS	GENERAL TOLERANCES (UNLESS SPECIFIED)	DIMENSION STYLE	SCALE	DESIGN UNITS	THIRD ANGLE PROJECTION															
	$\nabla = 0$ $\nabla \square = 0$	<table border="1"> <thead> <tr> <th></th> <th>mm</th> <th>INCH</th> </tr> </thead> <tbody> <tr> <td>4 PLACES</td> <td>± ---</td> <td>± ---</td> </tr> <tr> <td>3 PLACES</td> <td>± ---</td> <td>± ---</td> </tr> <tr> <td>2 PLACES</td> <td>± 0.25</td> <td>± ---</td> </tr> <tr> <td>1 PLACE</td> <td>± ---</td> <td>± ---</td> </tr> </tbody> </table>		mm	INCH	4 PLACES	± ---	± ---	3 PLACES	± ---	± ---	2 PLACES	± 0.25	± ---	1 PLACE	± ---	± ---	MM ONLY	2:1	METRIC	
		mm	INCH																		
	4 PLACES	± ---	± ---																		
3 PLACES	± ---	± ---																			
2 PLACES	± 0.25	± ---																			
1 PLACE	± ---	± ---																			
DESCRIPTION	<table border="1"> <thead> <tr> <th>DRAWN BY</th> <th>DATE</th> <th>TITLE</th> </tr> </thead> <tbody> <tr> <td>DAVID HU</td> <td>2007/05/08</td> <td rowspan="2">1.0MM PITCH PCI-EXPRESS 164CKTS W/RM LEAD-FREE</td> </tr> <tr> <td>HARVEY</td> <td>2007/05/08</td> </tr> <tr> <td colspan="2">APPROVED BY</td> <td rowspan="2">MOLEX MOLEX INCORPORATED</td> </tr> <tr> <td>JENNY CHEN</td> <td>2007/05/08</td> </tr> </tbody> </table>	DRAWN BY	DATE	TITLE	DAVID HU	2007/05/08	1.0MM PITCH PCI-EXPRESS 164CKTS W/RM LEAD-FREE	HARVEY	2007/05/08	APPROVED BY		MOLEX MOLEX INCORPORATED	JENNY CHEN	2007/05/08	<table border="1"> <thead> <tr> <th>SIZE</th> <th>DOCUMENT NO.</th> <th>SHEET NO.</th> </tr> </thead> <tbody> <tr> <td>A3</td> <td>SD-47505-001</td> <td>3 OF 4</td> </tr> </tbody> </table>	SIZE	DOCUMENT NO.	SHEET NO.	A3	SD-47505-001	3 OF 4
DRAWN BY	DATE	TITLE																			
DAVID HU	2007/05/08	1.0MM PITCH PCI-EXPRESS 164CKTS W/RM LEAD-FREE																			
HARVEY	2007/05/08																				
APPROVED BY		MOLEX MOLEX INCORPORATED																			
JENNY CHEN	2007/05/08																				
SIZE	DOCUMENT NO.	SHEET NO.																			
A3	SD-47505-001	3 OF 4																			
A	DRAFT WHERE APPLICABLE MUST REMAIN WITHIN DIMENSIONS	SEE TABLE	THIS DRAWING CONTAINS INFORMATION THAT IS PROPRIETARY TO MOLEX INCORPORATED AND SHOULD NOT BE USED WITHOUT WRITTEN PERMISSION																		

10	9	8	7	6	5	4	3	2	1
	MOLEX P/N	HOUSING MATERIAL	HOUSING COLOR	TERMINAL MATERIAL	CONTACT PLATING	SOLDER TAIL PLATING	SOLDER TAIL "D" LENGTH	DESCRIPTION	LATCH TYPE
F	47505-8300	NYLON 46	BLACK	PHOSPHOR BRONZE	GOLD FLASH	100 MICROINCH TIN OVER 50 MICROINCH NICKEL OVER ALL	2.54	TOOLED	BACK TYPE
	47505-8302				15 MICROINCH				
	47505-8310		NATURAL(WHITE)		GOLD FLASH				
	47505-8312				15 MICROINCH				
E	47505-8320		BLUE (287U)		GOLD FLASH				
	47505-8322				15 MICROINCH				
	47505-8330		GREEN (348C)		GOLD FLASH				
	47505-8332				15 MICROINCH				
	47505-8340		PURPLE (2736U)		GOLD FLASH				
D	47505-8342				15 MICROINCH				
	47505-4303		BLACK		GOLD FLASH				
	47505-4305				15 MICROINCH				
	47505-4313		NATURAL(WHITE)		GOLD FLASH				
C	47505-4315				15 MICROINCH				
	47505-4323		BLUE (287U)		GOLD FLASH				
	47505-4325				15 MICROINCH				
	47505-4333		GREEN (348C)		GOLD FLASH				
	47505-4335				15 MICROINCH				
B	47505-4343		PURPLE (2736U)		GOLD FLASH				
	47505-4345				15 MICROINCH				
						3.10		UNTOOLED	

NEW RELEASE EC NO: SH2008-0170 DRWN:DRU 2007/10/15 CHKD:ROST ZHANG 2007/10/15 APPR:HWANG 2007/11/13	QUALITY SYMBOLS ▽=0 ▽=0	GENERAL TOLERANCES (UNLESS SPECIFIED)		DIMENSION STYLE MM ONLY		SCALE 2:1	DESIGN UNITS METRIC	THIRD ANGLE PROJECTION		
						DRAWN BY DAVID HU	DATE 2007/05/08	TITLE 1.0MM PITCH PCI-EXPRESS 164CKTS W/RM LEAD-FREE		
						CHECKED BY HARVEY	DATE 2007/05/08	MOLEX INCORPORATED		
						APPROVED BY JENNY CHEN	DATE 2007/05/08	MATERIAL NO. SEE TABLE	DOCUMENT NO. SD-47505-001	SHEET NO. 4 OF 4
A	REV	DRAFT WHERE APPLICABLE MUST REMAIN WITHIN DIMENSIONS		THIS DRAWING CONTAINS INFORMATION THAT IS PROPRIETARY TO MOLEX INCORPORATED AND SHOULD NOT BE USED WITHOUT WRITTEN PERMISSION						