

PLEASE CHECK WWW.MOLEX.COM FOR LATEST PART INFORMATION

Part Number: **0002081002**
Status: **Active**
Overview: mlx
Description: MLX Crimp Terminal 42024, 14-20 AWG, Bag Tin (Sn)

Documents:

[Drawing \(PDF\)](#) [RoHS Certificate of Compliance \(PDF\)](#)
[Product Specification PS-42022-0001 \(PDF\)](#)

General

Product Family	Crimp Terminals
Series	<u>42024</u>
Crimp Quality Equipment	Yes
MolexKits	Yes
Overview	<u>mlx</u>
Product Name	MLX™

Physical	
Gender	Female
Material - Metal	Brass
Material - Plating Mating	Tin
Material - Plating Termination	Tin
Packaging Type	Bag
Plating min: Mating (µin)	20
Plating min: Mating (µm)	0.50
Plating min: Termination (µin)	20
Plating min: Termination (µm)	0.50
Termination Interface: Style	Crimp or Compression
Wire Insulation Diameter	1.52-3.30mm (.060-.130")
Wire Size AWG	14, 16, 18, 20
Wire Size mm²	N/A

Material Info

Old Part Number 42024-1A1L

Reference - Drawing Numbers

Product Specification PS-42022-0001
 Sales Drawing SD-42024-****

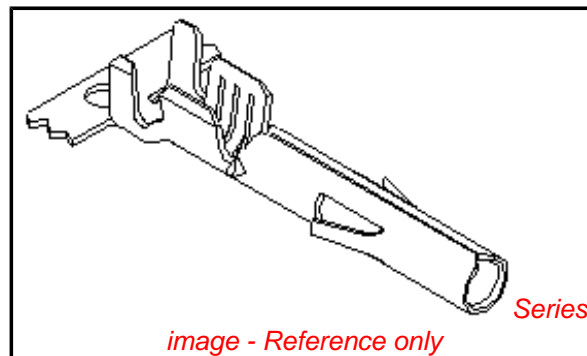


image - Reference only

EU RoHS

**ELV and RoHS
Compliant**
**REACH SVHC
Contains SVHC: No**
**Halogen-Free
Status**

China RoHS



**Need more information on product
environmental compliance?**

Email productcompliance@molex.com
 For a multiple part number RoHS Certificate of
 Compliance, [click here](#)

Please visit the [Contact Us](#) section for any
 non-product compliance questions.

Search Parts in this Series

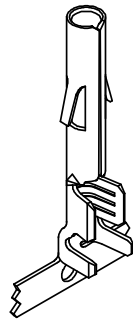
[42024Series](#)

Application Tooling | [FAQ](#)

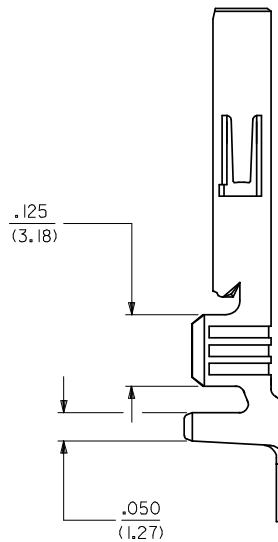
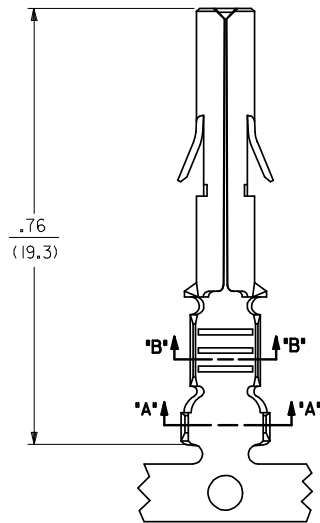
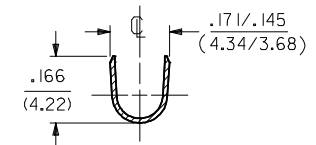
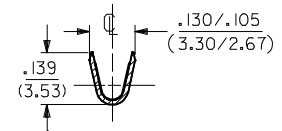
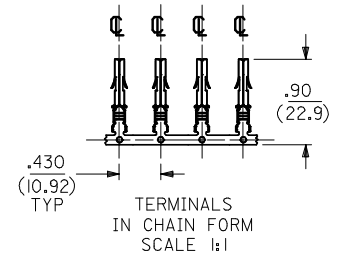
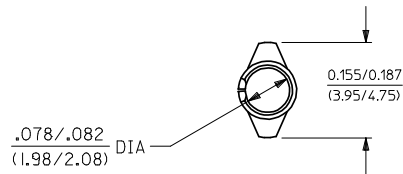
*Tooling specifications and manuals are
 found by selecting the products below.
 Crimp Height Specifications are then
 contained in the Application Tooling
 Specification document.*

Global

Description	Product #
Extraction Tool	0011010168
HAND CRIMP TOOL	0638116800



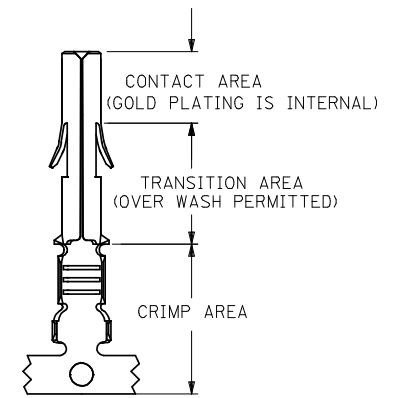
SOCKET TERMINAL
42024-***



SEE SHEET 2 FOR CHART, MATERIAL, PLATING, NOTES, AND CRIMP OPTIONS

ENTER DESCRIPTION EC NO: 12008-0359 DRAWN BY: 2008/03/03 CHKD: VINU 2008/03/03 APPR: KPRASAD 2008/03/03	QUALITY SYMBOLS	GENERAL TOLERANCES (UNLESS SPECIFIED)	DIMENSION STYLE	SCALE	DESIGN UNITS	THIRD ANGLE PROJECTION																													
	$\nabla=0$ $\nabla=0$	<table border="1"> <thead> <tr> <th></th> <th>mm</th> <th>INCH</th> </tr> </thead> <tbody> <tr> <td>4 PLACES</td> <td>± .010</td> <td>± .004</td> </tr> <tr> <td>3 PLACES</td> <td>± .015</td> <td>± .006</td> </tr> <tr> <td>2 PLACES</td> <td>± .025</td> <td>± .010</td> </tr> <tr> <td>1 PLACE</td> <td>± .038</td> <td>± .015</td> </tr> </tbody> </table>		mm	INCH	4 PLACES	± .010	± .004	3 PLACES	± .015	± .006	2 PLACES	± .025	± .010	1 PLACE	± .038	± .015	<table border="1"> <thead> <tr> <th colspan="2">IN/MM</th> </tr> </thead> <tbody> <tr> <td>DRAWN BY</td> <td>DATE</td> </tr> <tr> <td>SUDHIR</td> <td>2004/09/27</td> </tr> <tr> <td>CHECKED BY</td> <td>DATE</td> </tr> <tr> <td>KPRASAD</td> <td>2004/09/27</td> </tr> <tr> <td>APPROVED BY</td> <td>DATE</td> </tr> <tr> <td>KPRASAD</td> <td>2004/09/27</td> </tr> </tbody> </table>	IN/MM		DRAWN BY	DATE	SUDHIR	2004/09/27	CHECKED BY	DATE	KPRASAD	2004/09/27	APPROVED BY	DATE	KPRASAD	2004/09/27	IN/MM	4:1	INCH
	mm	INCH																																	
4 PLACES	± .010	± .004																																	
3 PLACES	± .015	± .006																																	
2 PLACES	± .025	± .010																																	
1 PLACE	± .038	± .015																																	
IN/MM																																			
DRAWN BY	DATE																																		
SUDHIR	2004/09/27																																		
CHECKED BY	DATE																																		
KPRASAD	2004/09/27																																		
APPROVED BY	DATE																																		
KPRASAD	2004/09/27																																		
		DRAFT WHERE APPLICABLE MUST REMAIN WITHIN DIMENSIONS	SEE CHART	MOLEX INCORPORATED DOCUMENT NO. SD-42024-****		TITLE RMINAL, SOCKET 84/(2.13) DIA. SERIES SHEET NO. 1 OF 2																													
			SIZE A2	THIS DRAWING CONTAINS INFORMATION THAT IS PROPRIETARY TO MOLEX INCORPORATED AND SHOULD NOT BE USED WITHOUT WRITTEN PERMISSION																															

ENG. NO.	EDP NO.	FINISH (REF)	CONTACT AREA (REF)	CRIMP AREA (REF)	MATERIAL (REF)	WIRE SIZE	INSULATION DIA.
42024-IA1	002-08-1001	SDES-88-P901	----	----	C26000	#14-#20 AWG	.060-.130
42024-IA1L	002-08-1002	SDES-88-P901	----	----	C26000	#14-#20 AWG	.060-.130
42024-IB1	002-08-1003	SDES-88-P901	----	----	C51000	#14-#20 AWG	.060-.130
42024-IB1L	002-08-1004	SDES-88-P901	----	----	C51000	#14-#20 AWG	.060-.130
42024-IA2	002-08-1005	SEE NOTE 5	.000030 MIN GOLD	.000100 MIN MATTE TIN	C26000	#14-#20 AWG	.060-.130
42024-IA2L	002-08-1006	SEE NOTE 5	.000030 MIN GOLD	.000100 MIN MATTE TIN	C26000	#14-#20 AWG	.060-.130
42024-IB2	002-08-1007	SEE NOTE 5	.000030 MIN GOLD	.000100 MIN MATTE TIN	C51000	#14-#20 AWG	.060-.130
42024-IB2L	002-08-1008	SEE NOTE 5	.000030 MIN GOLD	.000100 MIN MATTE TIN	C51000	#14-#20 AWG	.060-.130



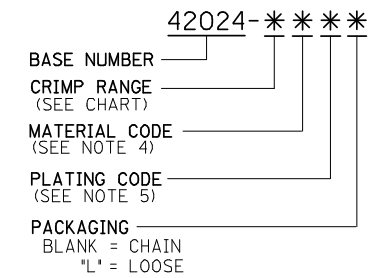
PLATING REGIONS

APPLIES TO GOLD PLATED TERMINALS ONLY

NOTES:

- SOCKET TERMINALS FOR USE WITH THE .084/(2.13) SERIES HOUSINGS:
 PLUG (42021-**)
 CAP (42022-**)
- SOCKET TERMINALS MATE WITH PIN TERMINALS: .084/(2.13) DIA. SERIES (42023-****).
- TERMINALS FINISHED IN CHAIN UNLESS SPECIFIED LOOSE. 'L' SUFFIX INDICATES LOOSE FORM. (SEE TABLE)
- MATERIAL: .012/(0.30) THICK STRIP:
 A = BRASS, *C26000, PER SMES-124-C7.
 B = PHOSPHOR BRONZE, *C51000, PER SMES-124-E7.
- FINISH:
 1 = HOT TIN DIP 20 m.l./(.51 MICRONS) MINIMUM (PER SDES-88-P901).
 2 = 30 (M.I) / 0.75 MICRONS) MIN SELECT GOLD AND 100 (M.I) (2.50 MICRON) MIN SELECT TIN (MATTE) OVER 50 (M.I) (1.25 MICRONS) MIN NICKEL OVERALL
- CRIMP RANGE: SEE CHART.
- PRODUCT SPECIFICATION PS-42022-0001 APPLIES.

LEGEND:



ENTER DESCRIPTION EC NO: 12008-0359 DRW: SUDHIR 2008/03/03 CHKD: VINU 2008/03/03 APPR: KPRASAD 2008/03/03 REV	QUALITY SYMBOLS ▽=0 ▽=0	GENERAL TOLERANCES (UNLESS SPECIFIED) <table border="1"> <tr> <th></th> <th>mm</th> <th>INCH</th> </tr> <tr> <td>4 PLACES</td> <td>±.005</td> <td>±.0005</td> </tr> <tr> <td>3 PLACES</td> <td>±.005</td> <td>±.0005</td> </tr> <tr> <td>2 PLACES</td> <td>±.005</td> <td>±.0005</td> </tr> <tr> <td>1 PLACE</td> <td>±.005</td> <td>±.0005</td> </tr> <tr> <td colspan="3">ANGULAR ±.005°</td> </tr> </table>		mm	INCH	4 PLACES	±.005	±.0005	3 PLACES	±.005	±.0005	2 PLACES	±.005	±.0005	1 PLACE	±.005	±.0005	ANGULAR ±.005°			DIMENSION STYLE IN/MM	SCALE ---	DESIGN UNITS INCH	THIRD ANGLE PROJECTION
		mm	INCH																					
	4 PLACES	±.005	±.0005																					
	3 PLACES	±.005	±.0005																					
2 PLACES	±.005	±.0005																						
1 PLACE	±.005	±.0005																						
ANGULAR ±.005°																								
DRAFT WHERE APPLICABLE MUST REMAIN WITHIN DIMENSIONS		DRAWN BY DATE SUDHIR 2004/09/27	CHECKED BY DATE KPRASAD 2004/09/27	TITLE RMINAL, SOCKET 84/(2.13) DIA. SERIES																				
MATERIAL NO.		APPROVED BY DATE KPRASAD 2004/09/27	MOLEX INCORPORATED																					
SEE CHART		MATERIAL NO.	DOCUMENT NO.	SHEET NO.	2 OF 2																			