



SMA Female to TNC Male Low Loss Cable 24 Inch Length Using PE-P142LL Coax, RoHS

RF Cable Assemblies Technical Data Sheet

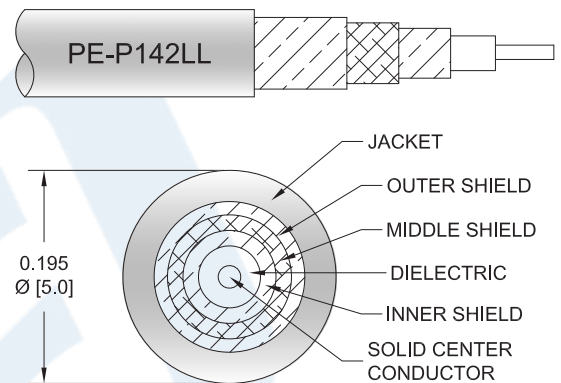
PE3C3205-24

Configuration

- Connector 1: SMA Female
- Connector 2: TNC Male
- Cable Type: PE-P142LL

Features

- 83% Velocity of Propagation
- Shielding effectiveness > 95 dB
- Maximum VSWR is < 1.45:1 to 18 GHz
- Minimum Bend Radius of 1 inch
- Operating Temperature range of -55 to +125°C
- ROHS and REACH Compliant
- Same day shipment of custom lengths



Description

The PE3C3205 series high performance test cable's 0.195 inch diameter and 83% phase velocity offer very low loss performance up to 18 GHz. The durable stainless steel connectors and FEP jacket provide a cost effective design ideal for test environments where a rugged cable assembly is required. The series is offered with Type N, TNC, and SMA connectors all rated to 18 GHz. A heavy duty boot provides improved strain relief and adds to the durability of the cable assemblies. These cable assemblies are built using a double shielded flexible cable, providing excellent shielding effectiveness of greater than 95 dB. All PE3C3205 cable assemblies are 100% Continuity, Hi-POT, and RF tested to published specifications. Custom lengths are built to order and shipped same day

Electrical Specifications

| Description | Minimum | Typical | Maximum | Units |
|-------------------------|---------|------------|---------|--------------|
| Frequency Range | DC | | 18 | GHz |
| VSWR | | | 1.45:1 | |
| Return Loss | 14.72 | | | dB |
| Velocity of Propagation | | 83 | | % |
| RF Shielding | 95 | | | dB |
| Capacitance | | 25 [82.02] | | pF/ft [pF/m] |

Click the following link (or enter part number in "SEARCH" on website) to obtain additional part information including price, inventory and certifications: [SMA Female to TNC Male Low Loss Cable 24 Inch Length Using PE-P142LL Coax, RoHS PE3C3205-24](#)



SMA Female to TNC Male Low Loss Cable 24 Inch Length Using PE-P142LL Coax, RoHS

RF Cable Assemblies Technical Data Sheet

PE3C3205-24

Specifications by Frequency

| Description | F1 | F2 | F3 | F4 | F5 | Units |
|-----------------------|------|------|------|------|------|-------|
| Frequency | 1 | 2 | 4.5 | 9 | 18 | GHz |
| Insertion Loss (Max.) | 0.62 | 0.7 | 0.82 | 1 | 1.22 | dB |
| Insertion Loss (Typ.) | 0.56 | 0.62 | 0.74 | 0.88 | 1.08 | dB |

Mechanical Specifications

Cable Assembly

| | |
|----------|---------------------|
| Length | 24 in [609.6 mm] |
| Diameter | 0.625 in [15.88 mm] |
| Weight | 0.26 lbs [117.93 g] |

Cable

| | |
|--------------------------------------|---------------------------|
| Cable Type | PE-P142LL |
| Impedance | 50 Ohms |
| Inner Conductor Type | Solid |
| Inner Conductor Material and Plating | Copper, Silver |
| Dielectric Type | PTFE |
| Number of Shields | 3 |
| Shield Layer 1 | Silver Plated Copper Tape |
| Shield Layer 2 | Aluminum Polyester |
| Shield Layer 3 | Silver Plated Copper Wire |
| Jacket Material | FEP, Green |
| Jacket Diameter | 0.195 in [4.95 mm] |

| | |
|------------------------------|----------------|
| One Time Minimum Bend Radius | 1 in [25.4 mm] |
| Repeated Minimum Bend Radius | 1 in [25.4 mm] |

Click the following link (or enter part number in "SEARCH" on website) to obtain additional part information including price, inventory and certifications: [SMA Female to TNC Male Low Loss Cable 24 Inch Length Using PE-P142LL Coax, RoHS PE3C3205-24](#)





SMA Female to TNC Male Low Loss Cable 24 Inch Length Using PE-P142LL Coax, RoHS

RF Cable Assemblies Technical Data Sheet

PE3C3205-24

Connectors

| Description | Connector 1 | Connector 2 |
|---------------------------------------|----------------------------|----------------------------|
| Type | SMA Female | TNC Male |
| Specification | | MIL-STD-348 |
| Impedance | 50 Ohms | 50 Ohms |
| Contact Material and Plating | Beryllium Copper, Gold | Beryllium Copper, Gold |
| Contact Plating Specification | ASTM-B488, 50µ in. minimum | ASTM-B488, 50µ in. minimum |
| Dielectric Type | PTFE | PEI |
| Outer Conductor Material and Plating | Passivated Stainless Steel | |
| Outer Conductor Plating Specification | SAE-AMS-2700 | |
| Coupling Nut Material and Plating | | Passivated Stainless Steel |
| Coupling Nut Plating Specification | | SAE-AMS-2701 |
| Hex Size | | 9/16 Inch |
| Torque | | 12 in-lbs [1.36 Nm] |
| Body Material and Plating | Passivated Stainless Steel | Passivated Stainless Steel |
| Body Plating Specification | SAE-AMS-2700 | SAE-AMS-2701 |

Environmental Specifications

Temperature

Operating Range -55 to +125 deg C

Compliance Certifications (visit www.Pasternack.com for current document)

RoHS Compliant Yes
 REACH Compliant 12/17/2015

Plotted and Other Data

Notes:

- Values at 25°C, sea level.

Click the following link (or enter part number in "SEARCH" on website) to obtain additional part information including price, inventory and certifications: [SMA Female to TNC Male Low Loss Cable 24 Inch Length Using PE-P142LL Coax, RoHS PE3C3205-24](#)



SMA Female to TNC Male Low Loss Cable 24 Inch Length Using PE-P142LL Coax, RoHS

RF Cable Assemblies Technical Data Sheet

PE3C3205-24

How to Order

Part Number Configuration:

PE3C3205

- **xx**

uu

Unit of Measure:

cm = Centimeters

<blank> = Inches

Length

Base Number

Example: PE3C3205-12 = 12 inches long cable
PE3C3205-100cm = 100 cm long cable

SMA Female to TNC Male Low Loss Cable 24 Inch Length Using PE-P142LL Coax, RoHS from Pasternack Enterprises has same day shipment for domestic and International orders. Our RF, microwave and millimeter wave products maintain a 99% availability and are part of the broadest selection in the industry.

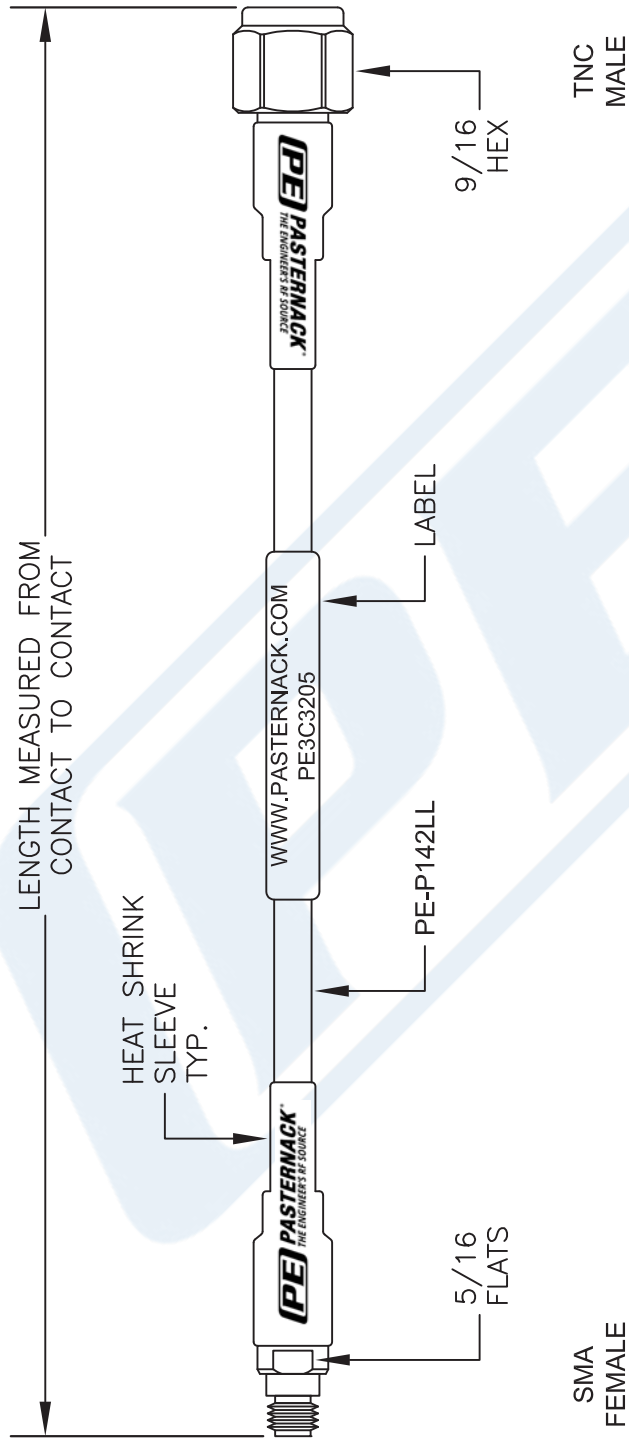
Click the following link (or enter part number in "SEARCH" on website) to obtain additional part information including price, inventory and certifications: [SMA Female to TNC Male Low Loss Cable 24 Inch Length Using PE-P142LL Coax, RoHS PE3C3205-24](https://www.pasternack.com/sma-female-tnc-male-pe-p142ll-cable-assembly-pe3c3205-24-p.aspx)

URL: <https://www.pasternack.com/sma-female-tnc-male-pe-p142ll-cable-assembly-pe3c3205-24-p.aspx>

The information contained in this document is accurate to the best of our knowledge and representative of the part described herein. It may be necessary to make modifications to the part and/or the documentation of the part, in order to implement improvements. Pasternack reserves the right to make such changes as required. Unless otherwise stated, all specifications are nominal. Pasternack does not make any representation or warranty regarding the suitability of the part described herein for any particular purpose, and Pasternack does not assume any liability arising out of the use of any part or documentation.

PE3C3205-24 CAD Drawing

SMA Female to TNC Male Low Loss Cable 24 Inch Length Using PE-P142LL Coax, RoHS



NOTE: LABEL FOR CABLE LENGTHS 48" OR SHORTER TO BE CENTERED. 48" OR LONGER WILL BE 12" AWAY FROM CONNECTOR.

PE PASTERNAK
THE ENGINEER'S RF SOURCE
Pasternack Enterprises, Inc.
P.O. Box 16759 | Irvine | CA | 92623
Phone: (949) 261-1920 | Fax: (949) 261-7451
Website: www.pasternack.com | E-Mail: sales@pasternack.com

DWG TITLE
PE3C3205
FSCM NO. 53919

NOTES:
1. UNLESS OTHERWISE SPECIFIED ALL DIMENSIONS ARE NOMINAL.
2. ALL SPECIFICATIONS ARE SUBJECT TO CHANGE WITHOUT NOTICE AT ANY TIME.
3. DIMENSIONS ARE IN INCHES (mm).
4. LENGTH TOLERANCE IS ± 1.5% OR 3/8", WHICHEVER IS GREATER.

| | | | | | | |
|----------|--------|-------|-----|------|---|------|
| CAD FILE | 061516 | SCALE | N/A | SIZE | A | 2233 |
|----------|--------|-------|-----|------|---|------|