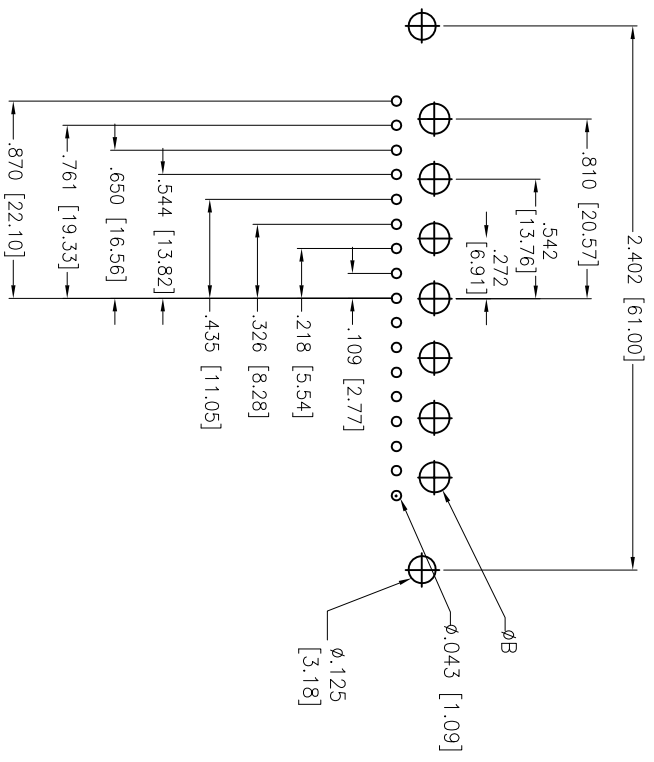
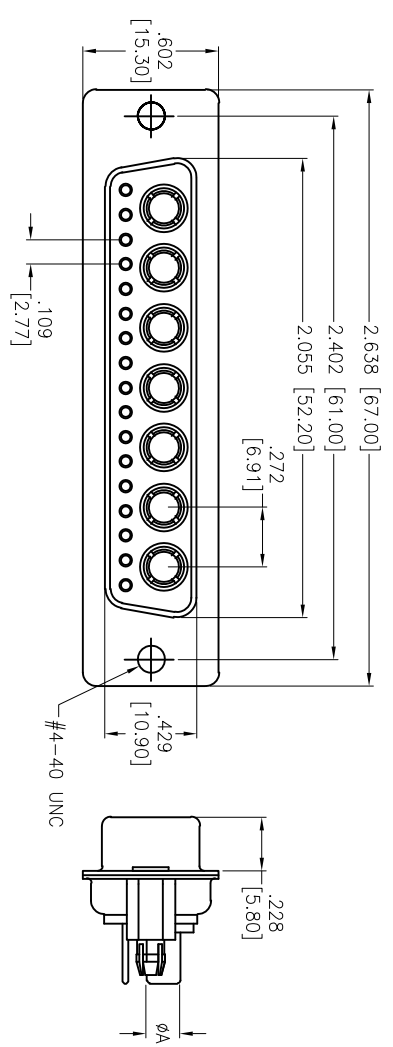


Rev	AWO #	Description	Date	Appr
-		RELEASED	2/6/14	

6 5 4 3 2 1

APPROVED: _____
 DATE: _____ TITLE: _____



RECOMMENDED PCB LAYOUT

ADAM P/N	Current Rating	Dim ϕA	Dim ϕB
D24W7-STP-6-1-BL	40 Amps	$\phi .148$ [3.75]	$\phi .165$ [4.20]
D24W7-STP-5-1-BL	30 Amps	$\phi .126$ [3.20]	$\phi .144$ [3.65]
D24W7-STP-4-1-BL	20 Amps	$\phi .110$ [2.80]	$\phi .129$ [3.28]
D24W7-STP-3-1-BL	10 Amps	$\phi .067$ [1.70]	$\phi .087$ [2.20]

SPECIFICATIONS:

Material: Thermoplastic, glass filled, rated UL 94V-0
 Insulator color: Black
 Contacts: Brass
 Shell: Steel, Tin plated
 Boardlock: Brass, Nickel plated
 Plating: Gold over Nickel underplate overall
 Electrical:
 Current rating: 10 - 40 Amps (Power Contact)
 5 Amps (Signal Contact)
 Contact resistance: 10 mohms max
 Insulation resistance: 5,000 Mohms min
 Dielectric withstanding voltage: 1,000 VAC for 1 minute
 Temperature Rating: Operating temperature: -55°C to +125°C
 Environmental: Lead free, RoHS compliant

ADAM TECH

909 Railway Avenue, Union, NJ 07083
 Phone: 908-687-5000 Fax: 908-687-5710

D-SUB CONNECTOR, SIGNAL-POWER TYPE,
 SOCKET, STRAIGHT PCB, W/ BOARDLOCK

UNLESS OTHERWISE SPECIFIED ALL DIMENSIONS ARE INCHES [MM]		TITLE	
TOLERANCES: EXCEPT AS NOTED		D-SUB CONNECTOR, SIGNAL-POWER TYPE, SOCKET, STRAIGHT PCB, W/ BOARDLOCK	
INCHES		PART NO.	
.X $\pm .10$	ϕX $\pm .10$	D24W7-STP-X-BL	
.XX $\pm .020$	ϕXX $\pm .015$	SIZE	REV.
.XXX $\pm .015$	ϕXXX $\pm .010$	X	-
APPROVALS		REF: S00019T	SCALE: NTS
DRAWN	HR	2/6/14	SHEET 1 OF 1
CHECKED	NP	2/6/14	
APPROVED			



6 5 4 3 2 1