

PLEASE CHECK WWW.MOLEX.COM FOR LATEST PART INFORMATION

Part Number: [0760685001](#)
Status: **Active**
Overview: [sfp_stacked_multiport_connectors](#)
Description: Small Form-factor Pluggable Plus (SFP+) Stacked 2-by-6 Multi-Port Press Fit Connector without Lightpipe Ports, EMI Metal Gasket, 240 Circuits, Tin (Sn) Tails

Documents:

[3D Model](#) [Product Specification PS-75310-001 \(PDF\)](#)
[Drawing \(PDF\)](#) [RoHS Certificate of Compliance \(PDF\)](#)
[Application Specification \(PDF\)](#)

Agency Certification

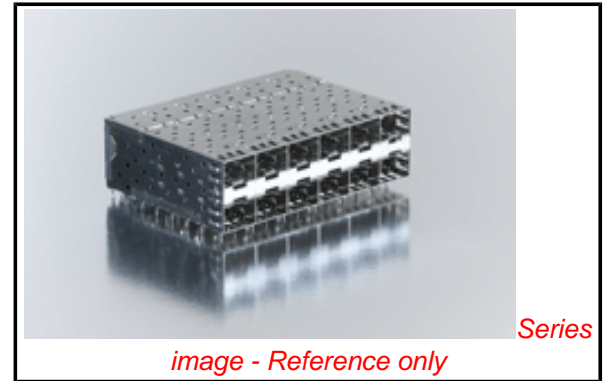
CSA LR19980
 UL E29179

General

Product Family I/O Connectors
 Series [76068](#)
 Application Module-to-Board
 Component Type Receptacle
 Overview [sfp_stacked_multiport_connectors](#)
 Product Name SFP Plus
 Type N/A

Physical

Boot Color N/A
 Circuits (Loaded) 240
 Circuits (maximum) 240
 Circuits Detail 240
 Color - Resin Black
 Durability (mating cycles max) 100
 Flammability 94V-0
 Gender Female
 Keying to Mating Part None
 Lock to Mating Part Yes
 Material - Metal High Performance Alloy (HPA)
 Material - Plating Mating Gold
 Material - Plating Termination Tin
 Material - Resin High Temperature Thermoplastic
 Number of Rows 2
 Orientation Right Angle
 PC Tail Length (in) 0.081 In
 PC Tail Length (mm) 2.07 mm
 PCB Locator Yes
 PCB Retention Yes
 PCB Thickness Recommended (in) 0.062 In
 PCB Thickness Recommended (mm) 1.57 mm
 Packaging Type Tray
 Panel Mount No
 Pitch - Mating Interface (in) 0.031 In
 Pitch - Mating Interface (mm) 0.80 mm
 Pitch - Term. Interface (in) 0.031 In
 Pitch - Term. Interface (mm) 0.80 mm
 Plating min: Mating (µin) 30.4
 Plating min: Mating (µm) 0.76
 Plating min: Termination (µin) 30.4



EU RoHS

ELV and RoHS Compliant

REACH SVHC

Contains SVHC: No

Halogen-Free

Status

Halogen-Free

Need more information on product environmental compliance?

Email productcompliance@molex.com
 For a multiple part number RoHS Certificate of Compliance, [click here](#)

Please visit the [Contact Us](#) section for any non-product compliance questions.

China RoHS



Search Parts in this Series

[76068Series](#)

Use With

[0759510999](#) SFP Dust Plug,

Application Tooling | FAQ

Tooling specifications and manuals are found by selecting the products below. Crimp Height Specifications are then contained in the Application Tooling Specification document.

Global

Description	Product #
SFP Insertion Tool, x 6	20622029925
SFP Stacked Multi-Port Extraction Tool, 2 by 6	0622029950

Plating min: Termination (µm)	0.76
Polarized to Mating Part	Yes
Polarized to PCB	Yes
Ports	12
Surface Mount Compatible (SMC)	No
Temperature Range - Operating	-40°C to +85°C
Termination Interface: Style	Through Hole - Compliant Pin
Waterproof / Dustproof	No

Electrical

Current - Maximum per Contact	0.5A
Grounding to Panel	None
Shield Type	EMI Gasket
Shielded	Yes
Voltage - Maximum	120V AC (RMS)/DC

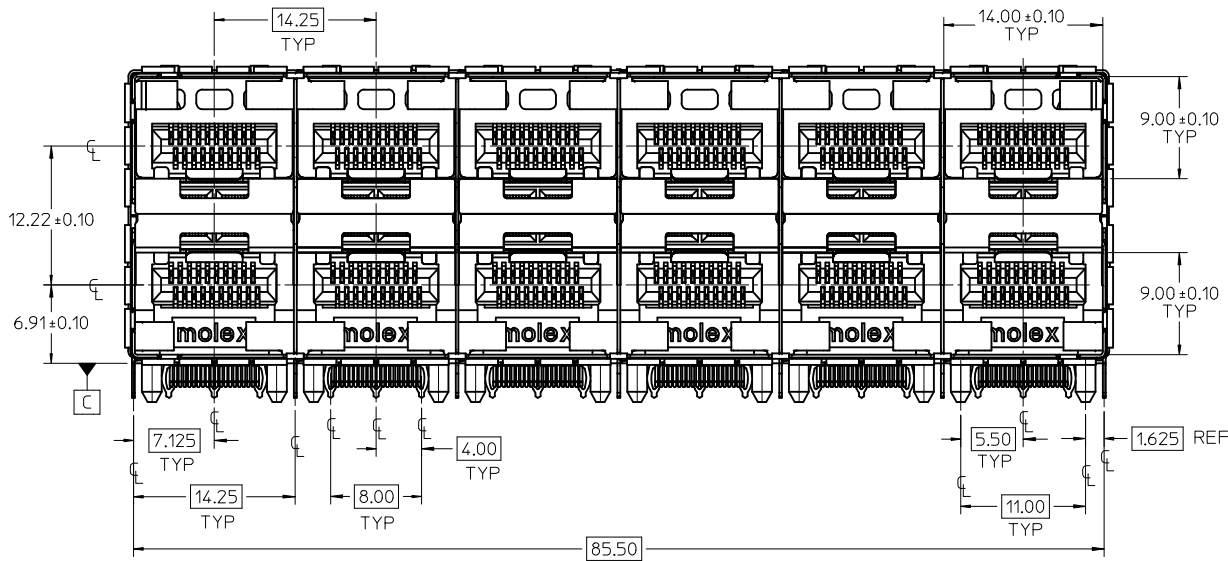
Material Info

Reference - Drawing Numbers

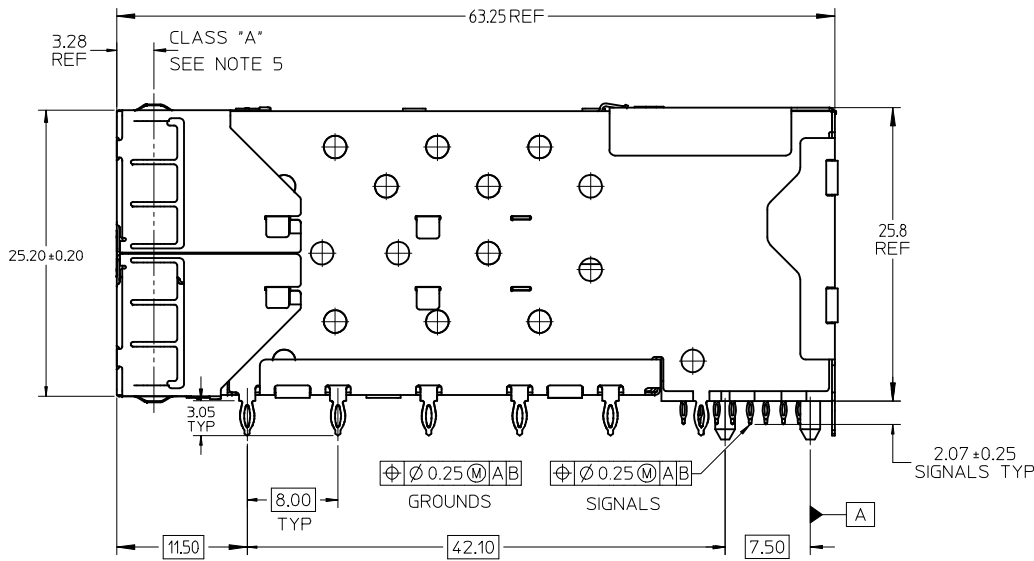
Application Specification	AS-75310-001
Packaging Specification	PK-75451-001
Product Specification	PS-75310-001
Sales Drawing	SD-76068-001

This document was generated on 05/27/2010

PLEASE CHECK WWW.MOLEX.COM FOR LATEST PART INFORMATION



MATERIAL NO.	TAIL PLATING
760680001	TIN / LEAD
760685001	TIN



NOTES:

1. MATERIAL:

CAGE: NICKEL SILVER, THICKNESS: 0.25mm
 EMI GASKET: PHOS-BRONZE
 CONNECTOR HOUSING: GLASS FILLED THERMOPLASTIC, UL: 94 V-0, COLOR: BLACK
 OVERMOLD TERMINAL HOUSING: GLASS FILLED THERMOPLASTIC, UL: 94 V-0, COLOR: BLACK
 TERMINALS: BRASS

2. FINISH

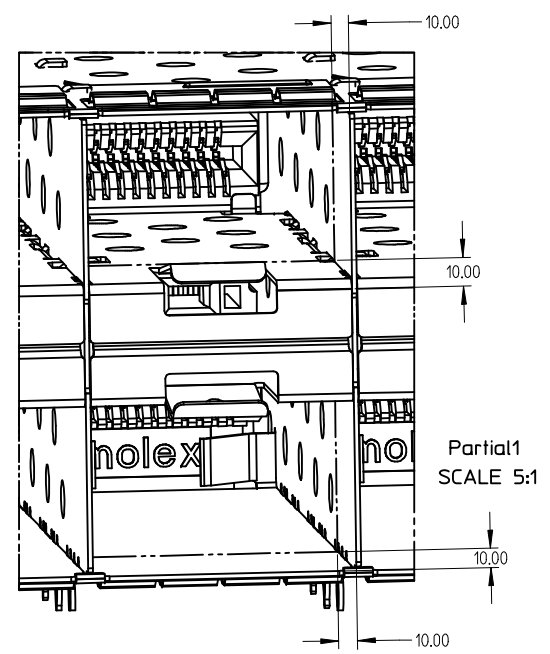
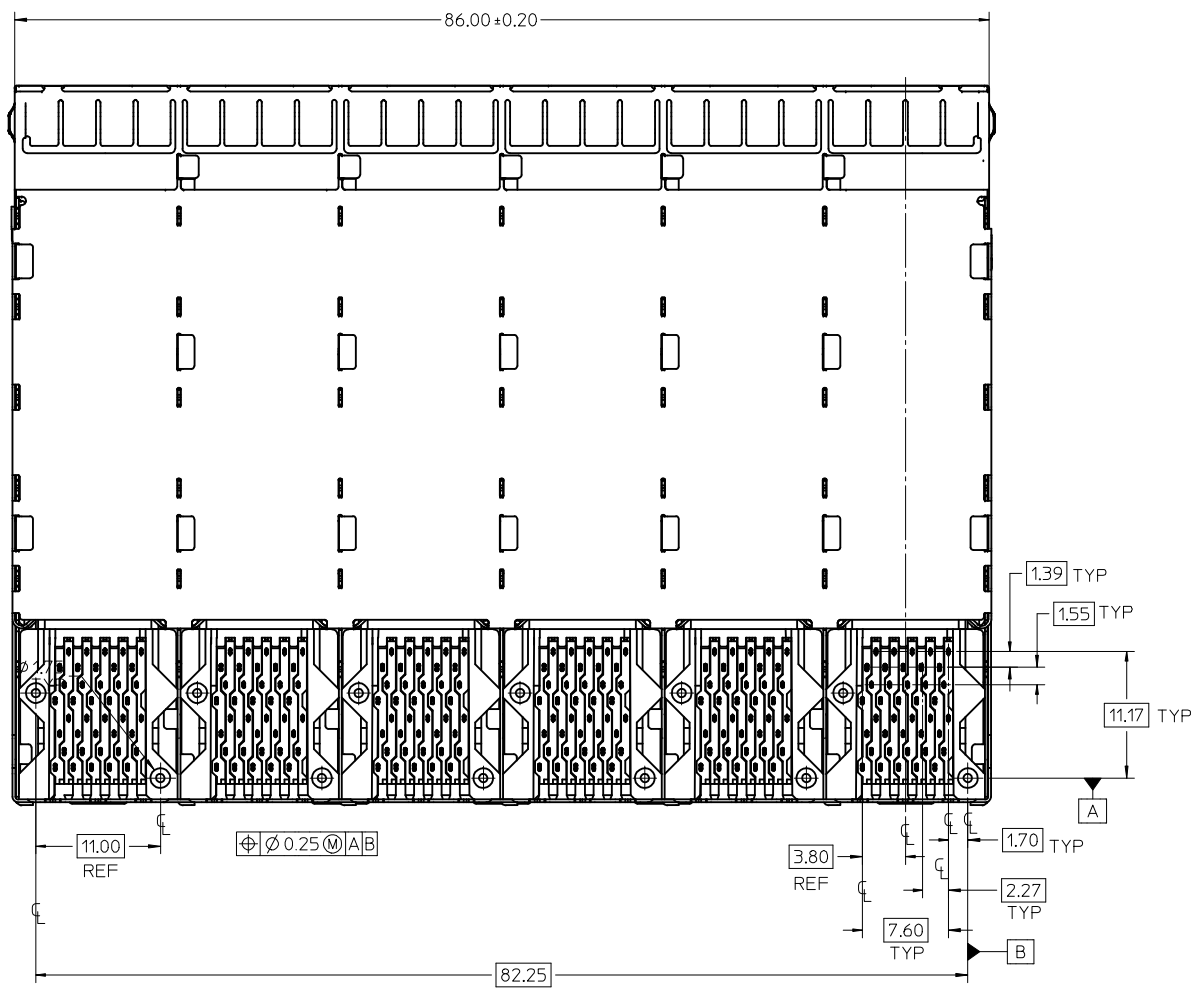
TERMINALS: CONTACT AREA: 0.76 MICRONS MIN. HARD GOLD
 OVER 1.27 MICRONS MIN. NICKEL.
 COMPLIANT TAIL - TIN/LEAD OPTION: 0.76 - 1.52 MICRONS 90/10 TIN/LEAD
 OVER 0.76 - 1.52 MICRONS NICKEL
 COMPLIANT TAIL - TIN OPTION: 0.76 - 1.52 MICRONS TIN
 OVER 0.76 - 1.52 MICRONS NICKEL
 EMI GASKET: 2.54 MICRONS NICKEL OVERALL

3. REFER TO PS-75310-001 PRODUCT SPEC FOR ALL ELECTRICAL, MECHANICAL AND ENVIRONMENTAL SPECIFICATIONS.

4. REFER TO PK-75451-001 FOR ALL PACKAGING SPECIFICATIONS.

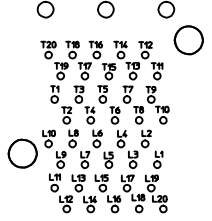
5. ALL EXTERIOR SURFACES TO BE CLASS *B* SURFACE EXCEPT THE UNDER SIDE OF THE CAGE WHERE THE PCB WOULD BE LOCATED AND AS NOTED. THE SURFACES TO CONFORM TO THE MOLEX COSMETIC DOC PS-45499-002.

ADD KEEP OUT ZONES EC NO: UCP2009-1356 DRWN:MSIBARRA 2009/08/04 CHKD:BBARKER 2009/08/06 APPR:SMILLER 2009/08/06	QUALITY SYMBOLS ▽=0 ▽=0	GENERAL TOLERANCES (UNLESS SPECIFIED)		DIMENSION STYLE MM ONLY	SCALE 3:1	DESIGN UNITS METRIC	THIRD ANGLE PROJECTION			
		4 PLACES ± --- ± ---	3 PLACES ± --- ± ---	2 PLACES ± 0.13 ± ---	1 PLACE ± 0.25 ± ---	DRAWN BY JLONG	DATE 09/05/2007	TITLE STACKED SFP+ 2X6 ASS'Y WITH METAL EMI GASKET		
		ANGULAR ± 5 °				CHECKED BY JLONG	DATE 09/05/2007	APPROVED BY MBANAKIS		DATE 09/05/2007
		DRAFT WHERE APPLICABLE MUST REMAIN WITHIN DIMENSIONS				MATERIAL NO. SEE TABLE	DOCUMENT NO. SD-76068-001	SHEET NO. 1 OF 4		

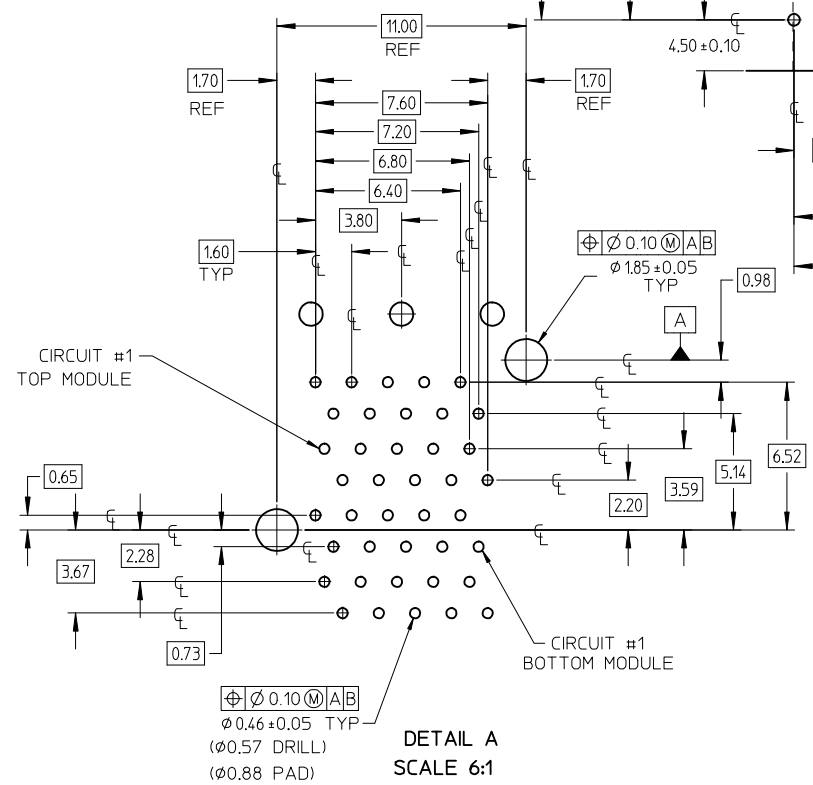
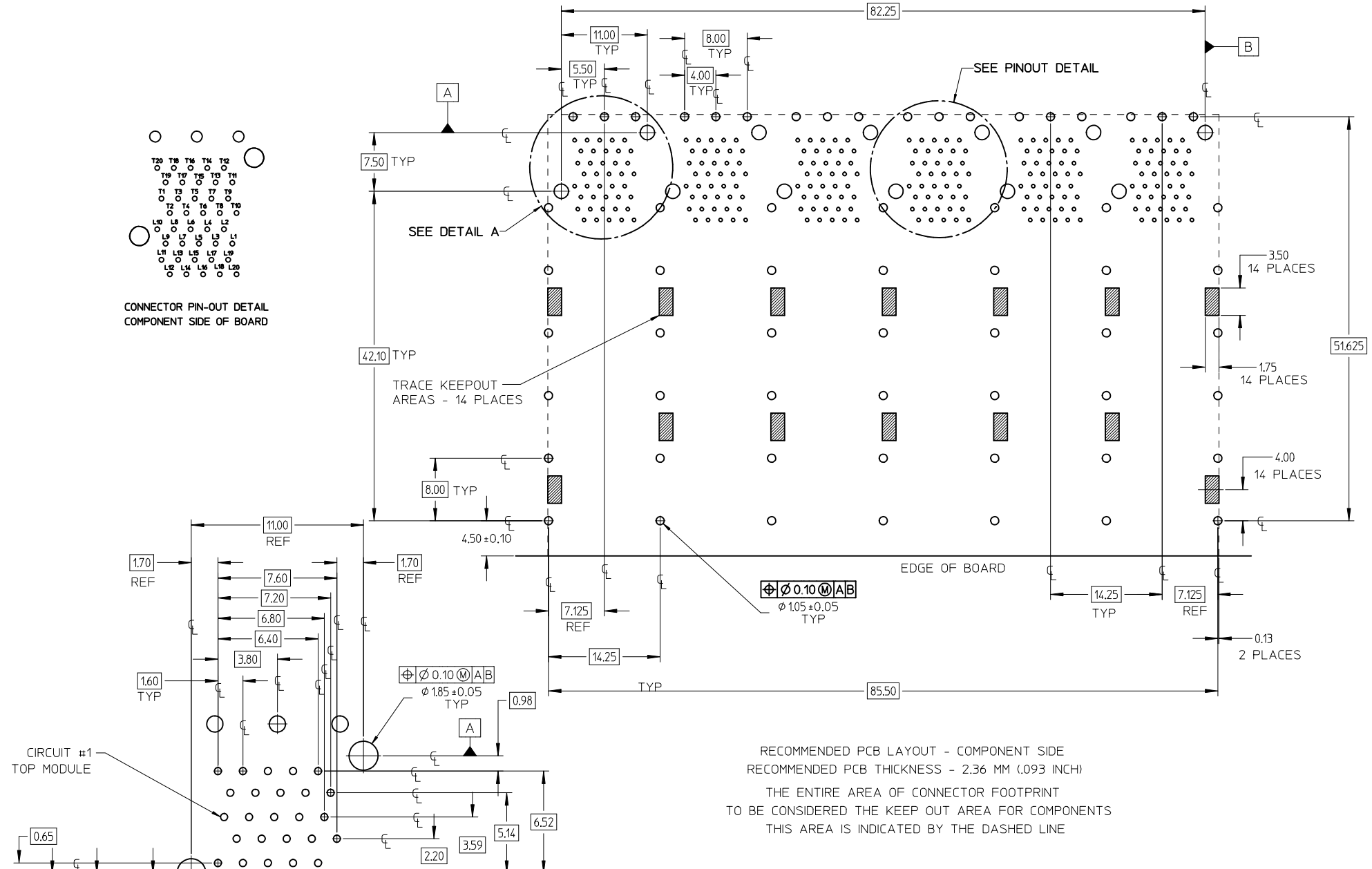


10.00mm AREA SETBACK IN CAGE IS TO BE FREE OF ANY HOLES, DIMPLES, SEAMS OR ANY OTHER FEATURE. (4 SIDES PER PORT)

SEE SHEET 1 EC NO: UCP2009-1356 DRWN:MSIBARRA 2009/08/04 CHKD:BBARKER 2009/08/06 APPR:SMILLER 2009/08/06	QUALITY SYMBOLS ▽=0 ▽=0	GENERAL TOLERANCES (UNLESS SPECIFIED)		DIMENSION STYLE MM ONLY	SCALE 3:1	DESIGN UNITS METRIC	THIRD ANGLE PROJECTION
		4 PLACES ± --- ± ---	3 PLACES ± --- ± ---	mm INCH	DRAWN BY DATE JLONG 09/05/2007	TITLE STACKED SFP+ 2X6 ASS'Y WITH METAL EMI GASKET	
		2 PLACES ± 0.13 ± ---	1 PLACE ± 0.25 ± ---	CHECKED BY DATE JLONG 09/05/2007	APPROVED BY DATE MBANAKIS 09/05/2007	MOLEX INCORPORATED	
		ANGULAR ± 5 °		MATERIAL NO. SEE TABLE	DOCUMENT NO. SD-76068-001	SHEET NO. 2 OF 4	
DRAFT WHERE APPLICABLE MUST REMAIN WITHIN DIMENSIONS		THIS DRAWING CONTAINS INFORMATION THAT IS PROPRIETARY TO MOLEX INCORPORATED AND SHOULD NOT BE USED WITHOUT WRITTEN PERMISSION					



CONNECTOR PIN-OUT DETAIL
COMPONENT SIDE OF BOARD



DETAIL A
SCALE 6:1

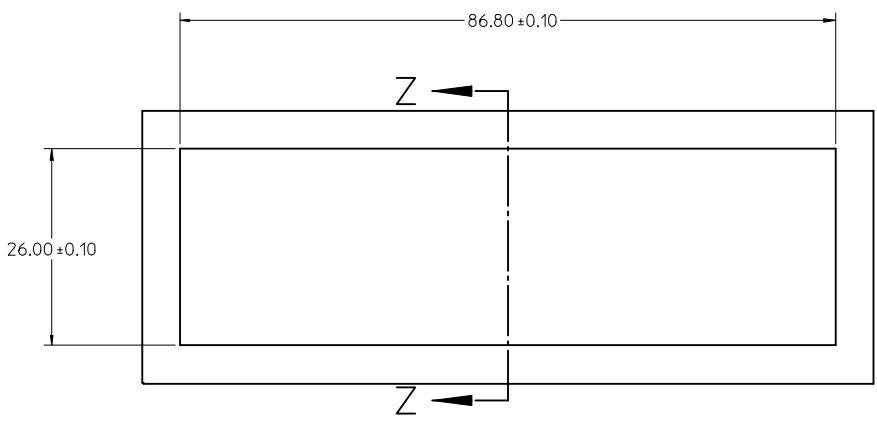
RECOMMENDED PCB LAYOUT - COMPONENT SIDE
 RECOMMENDED PCB THICKNESS - 2.36 MM (.093 INCH)
 THE ENTIRE AREA OF CONNECTOR FOOTPRINT
 TO BE CONSIDERED THE KEEP OUT AREA FOR COMPONENTS
 THIS AREA IS INDICATED BY THE DASHED LINE

REV	DESCRIPTION	QUALITY SYMBOLS
1	ADD KEEP OUT ZONES	▽=0
2	EC NO: UCP2009-1356	▽=0
3	DRWN:MSIBARRA 2009/08/04	
4	CHKD:BBARKER 2009/08/06	
5	APPR:SMILLER 2009/08/06	

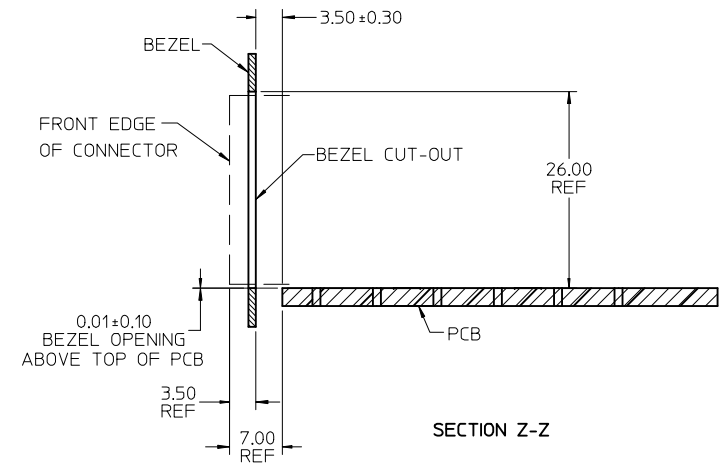
GENERAL TOLERANCES (UNLESS SPECIFIED)	
	mm INCH
4 PLACES ±	±
3 PLACES ±	±
2 PLACES ±	±
1 PLACE ±	±
ANGULAR ± 5 °	
DRAFT WHERE APPLICABLE MUST REMAIN WITHIN DIMENSIONS	

DIMENSION STYLE	
MM ONLY	
DRAWN BY	DATE
JLONG	09/05/2007
CHECKED BY	DATE
JLONG	09/05/2007
APPROVED BY	DATE
MBANAKIS	09/05/2007
MATERIAL NO.	
SEE TABLE	
SIZE	

SCALE	DESIGN UNITS	THIRD ANGLE PROJECTION
3:1	METRIC	
STACKED SFP+ 2X6 ASS'Y WITH METAL EMI GASKET		
MOLEX INCORPORATED		SHEET NO. 3 OF 4
DOCUMENT NO. SD-76068-001		
THIS DRAWING CONTAINS INFORMATION THAT IS PROPRIETARY TO MOLEX INCORPORATED AND SHOULD NOT BE USED WITHOUT WRITTEN PERMISSION		



BEZEL CUT-OUT DETAIL
BEZEL THICKNESS: 0.8 - 2.6



SECTION Z-Z

SEE SHET 1 EC NO: UCP2009-1356 DRWN:MS BARRA 2009/08/04 CHKD:BBARKER 2009/08/06 APPR:SMILLER 2009/08/06	QUALITY SYMBOLS	GENERAL TOLERANCES (UNLESS SPECIFIED)	DIMENSION STYLE	SCALE	DESIGN UNITS	THIRD ANGLE PROJECTION															
	▽=0 ▽=0	<table border="1"> <thead> <tr> <th></th> <th>mm</th> <th>INCH</th> </tr> </thead> <tbody> <tr> <td>4 PLACES</td> <td>± ---</td> <td>± ---</td> </tr> <tr> <td>3 PLACES</td> <td>± ---</td> <td>± ---</td> </tr> <tr> <td>2 PLACES</td> <td>± 0.13</td> <td>± ---</td> </tr> <tr> <td>1 PLACE</td> <td>± 0.25</td> <td>± ---</td> </tr> </tbody> </table> ANGULAR ± 5 °		mm	INCH	4 PLACES	± ---	± ---	3 PLACES	± ---	± ---	2 PLACES	± 0.13	± ---	1 PLACE	± 0.25	± ---	MM ONLY DRAWN BY DATE JLONG 09/05/2007 CHECKED BY DATE JLONG 09/05/2007 APPROVED BY DATE MBANAKIS 09/05/2007	2:1	METRIC	M O L E X MOLEX INCORPORATED
		mm	INCH																		
	4 PLACES	± ---	± ---																		
3 PLACES	± ---	± ---																			
2 PLACES	± 0.13	± ---																			
1 PLACE	± 0.25	± ---																			
DRAFT WHERE APPLICABLE MUST REMAIN WITHIN DIMENSIONS	MATERIAL NO. SEE TABLE	DOCUMENT NO. SD-76068-001	SHEET NO. 4 OF 4																		
THIS DRAWING CONTAINS INFORMATION THAT IS PROPRIETARY TO MOLEX INCORPORATED AND SHOULD NOT BE USED WITHOUT WRITTEN PERMISSION																					