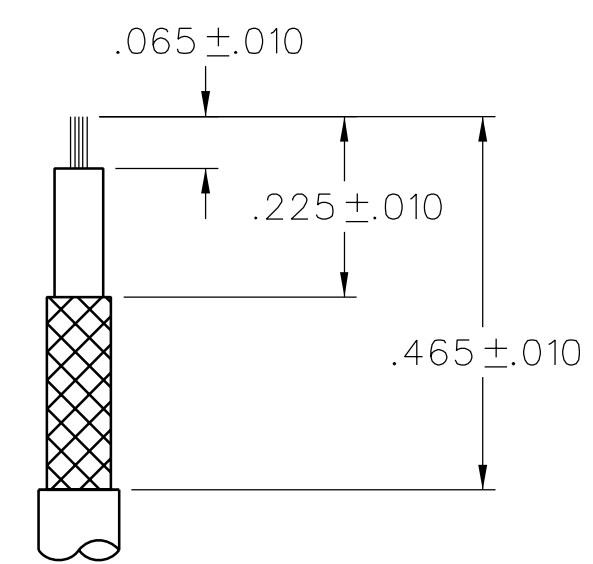
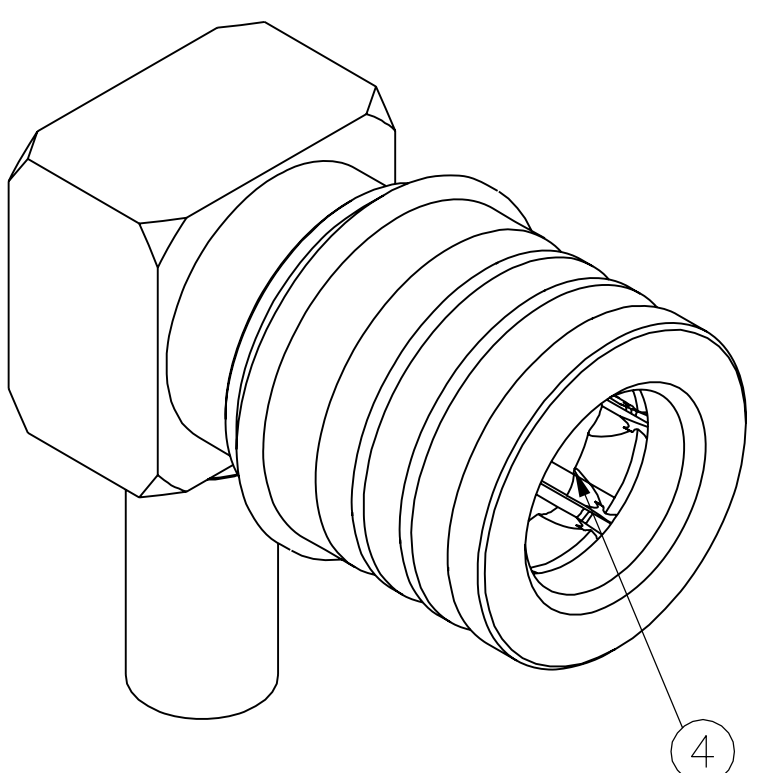
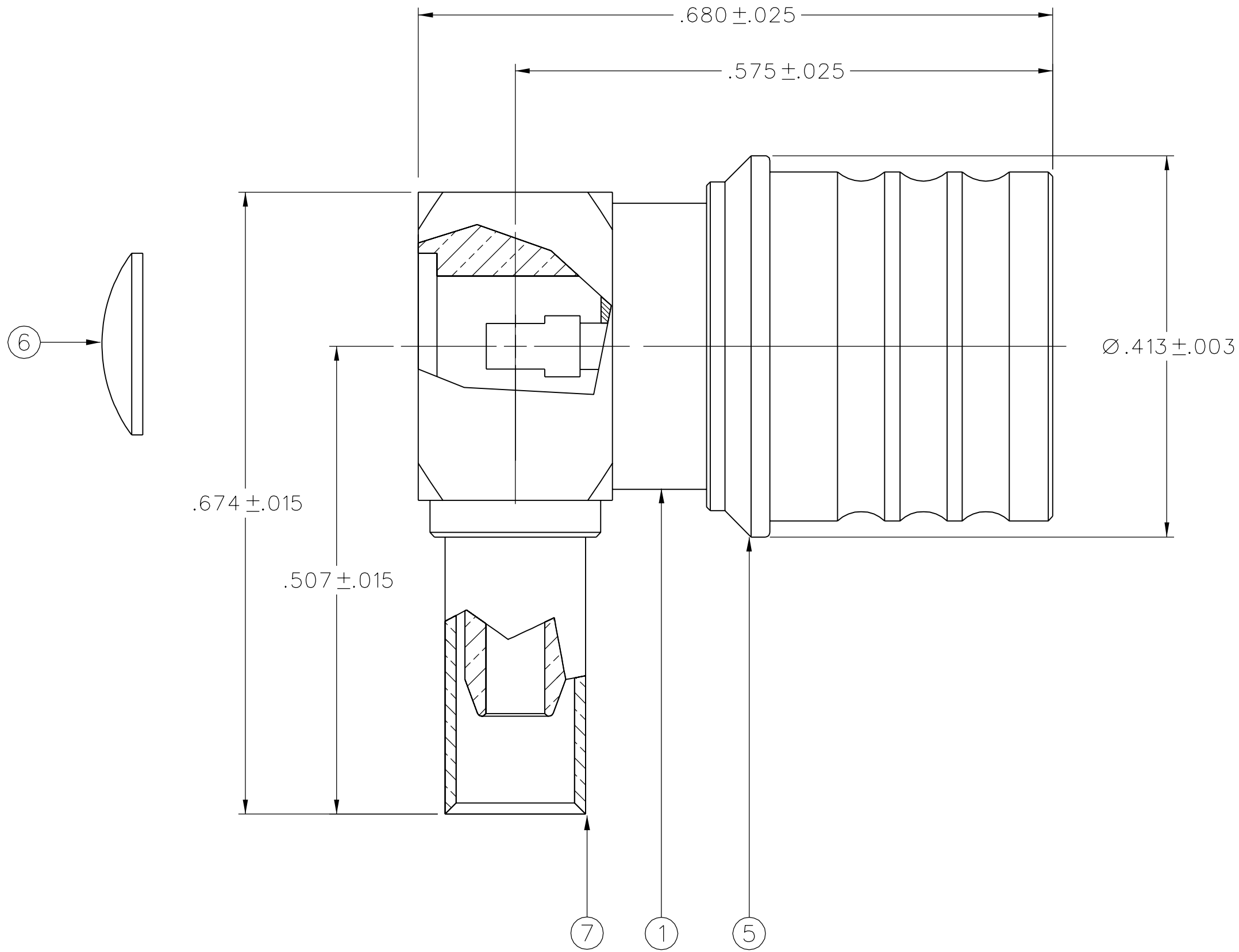
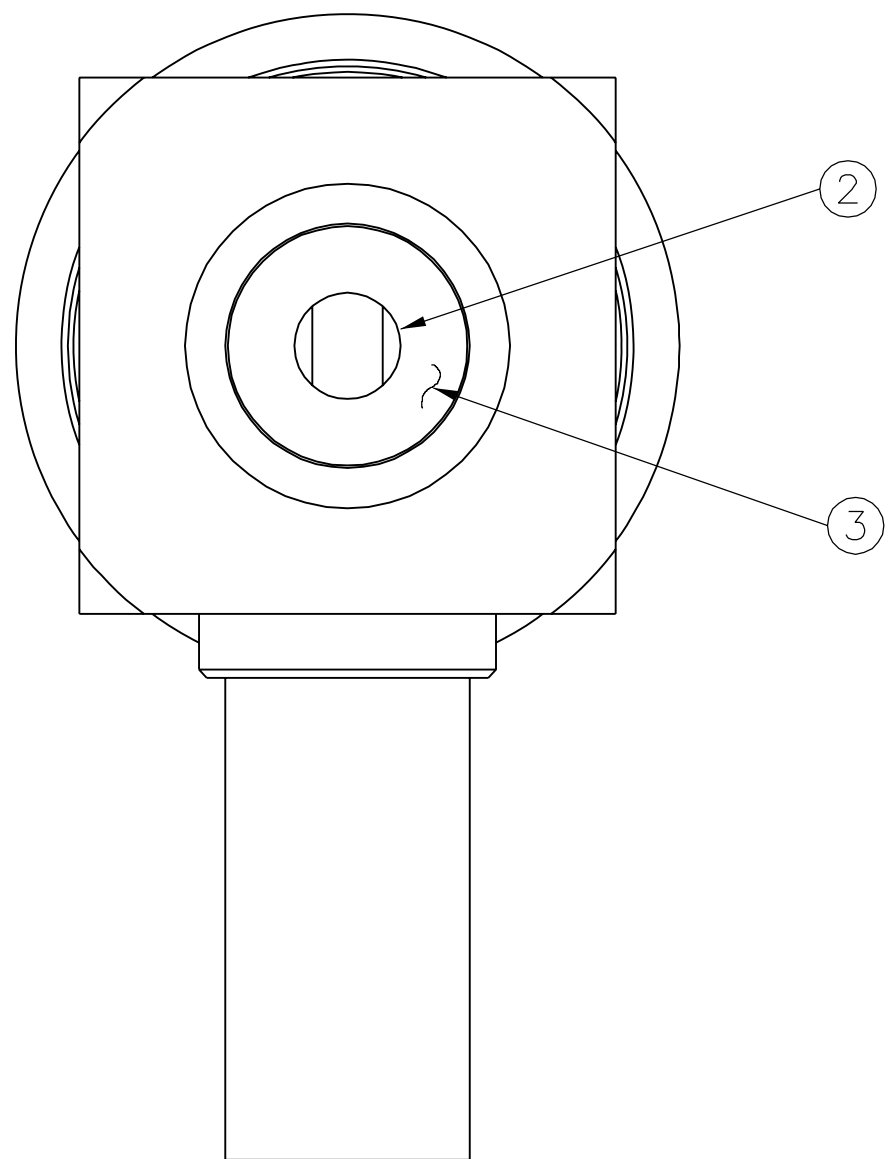


PART NUMBER	ITEM ① BODY	ITEM ② CONTACT	ITEM ③ INSULATOR	ITEM ④ COUPLING DEVICE	ITEM ⑤ DE-COUPLING SLIDER	ITEM ⑥ END CAP	ITEM ⑦ CRIMP SLEEVE
146-0403-107	BRASS TRI-ALLOY PL .0001 MIN OVER COPPER PL .00005 MIN	BRASS GOLD PL .00005 MIN OVER NICKEL PL .00005 MIN OVER COPPER PL .00005 MIN	TEFLON	BERYLLIUM COPPER TRI-ALLOY PL .0001 MIN OVER COPPER PL .00005 MIN	BRASS TRI-ALLOY PL .0001 MIN OVER COPPER PL .00005 MIN	BRASS TRI-ALLOY PL .0001 MIN OVER COPPER PL .00005 MIN	COPPER TRI-ALLOY PL .0001 MIN OVER COPPER PL .00005 MIN

DRAWING NO. C - 146-0403-101/110	
REVISIONS	
PRE-PRODUCTION USE ONLY	
0	9-26-08 P A T A K J U M R B
	9-26-08 ECN 51633



CABLE STRIP DIMENSIONS
4:1

NOTES:

1. SPECIFICATIONS:
- IMPEDANCE: 50 OHMS NOMINAL
 FREQUENCY RANGE: 0-12.4 GHz
 VSWR: 1.15 + 0.03F
 WORKING VOLTAGE: 250 VRMS MAX AT SEA LEVEL
 DIELECTRIC WITHSTANDING VOLTAGE: 750 VRMS MIN AT SEA LEVEL
 INSULATION RESISTANCE: 5000 MEGOHM MIN
 CONTACT RESISTANCE:
 CENTER CONTACT - INITIAL 4.0 MILLIOHM MAX, AFTER ENVIRONMENTAL 6.0
 OUTER CONDUCTOR - INITIAL 2.0 MILLIOHM MAX, AFTER ENVIRONMENTAL NOT APPLICABLE
 CABLE BRAID TO CONNECTOR BODY - INITIAL 5.0 MILLIOHM MAX, AFTER ENVIRONMENTAL NOT APPLICABLE
- CORONA LEVEL: 190 VOLTS MIN AT 70,000 FEET
 INSERTION LOSS: $.15\sqrt{F}$ (F IN GHz) AT 6 GHz
 RF LEAKAGE: -80 DB MIN AT 3.0 GHz
 RF HIGH POTENTIAL WITHSTANDING VOLTAGE: 500 VRMS MIN AT 4 AND 7 MHz
- MECHANICAL:
- ENGAGE FORCE: 5.6 POUNDS TYPICAL
 DISENGAGE FORCE: 4.5 POUNDS TYPICAL
 COUPLING RETENTION FORCE: 13.5 POUNDS MIN
 CONTACT RETENTION: 6 LBS MIN
 CABLE ACCEPTABILITY: RG 188/U, RG 316/U, RG 161/U, RG 174/U
 CABLE HEX CRIMP SIZE: .128
 CABLE RETENTION: 20 LBS MIN AXIAL FORCE
 DURABILITY: 500 CYCLES MIN
- ENVIRONMENTAL:
- THERMAL SHOCK: MIL-STD-202, METHOD 107, CONDITION B EXCEPT +85° C HIGH TEMP
 OPERATING TEMPERATURE: -65 DEG C TO +165 DEG C
 CORROSION: MIL-STD-202, METHOD 101, CONDITION B
 SHOCK: MIL-STD-202, METHOD 213, CONDITION I
 VIBRATION: MIL-STD-202, METHOD 204, CONDITION D
 MOISTURE RESISTANCE: MIL-STD-202, METHOD 106

FOR QUOTATION ONLY
UNAPPROVED

THIS DRAWING TO BE INTERPRETED
PER ANSII 14.5M - 1982

"μ STATION"

COMPANY CONFIDENTIAL

TOLERANCE UNLESS OTHERWISE SPECIFIED	DRAWN BY T.A.Kari	DATE 4-09-08	299 Johnson Ave. P.O. Box 1732 Waseca, MN 56093-0832	
DECIMALS .XX	CHECKED BY XXX	DATE X	TITLE RA PLUG QMA TYPE, CONNECTOR CRIMP TYPE, RG-316	
mm .XXX ± .003	APPROVED BY XXX	DATE X	CODE NO.	DRAWING NO. C - 146-0403-101/110
MATL	APPROVED BY XXX	DATE X	SCALE 8:1	U/M INCH
FINISH	RELEASE DATE	X	SHEET 2 OF 2	