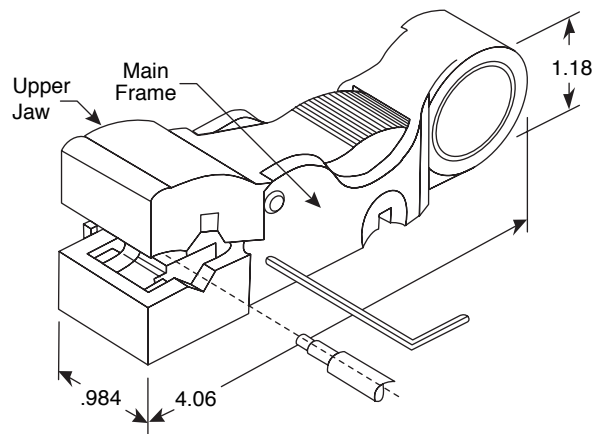
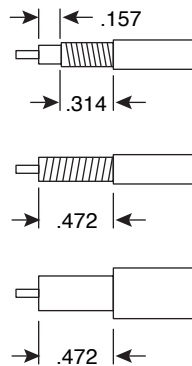


Cutting Options



Dimensions: In.

SPECIFICATIONS	
Type:	3 Blade model (pre-set blades)
Body:	Polyacepal Resin
Blades:	Heat treated high Carbon Steel
Hardware Included:	Allen wrench adjustment tool

MOUSER STOCK NO.	Pre-set for Stripping
382-312A	RG 59/92/6
382-312B	RG 58/59

Available from Mouser Electronics
1-800-346-6873
www.mouser.com

EPD-200397

Mouser Electronics

Authorized Distributor

Click to View Pricing, Inventory, Delivery & Lifecycle Information:

[Eagle Plastic Devices:](#)

[382-312A](#) [382-312B](#)