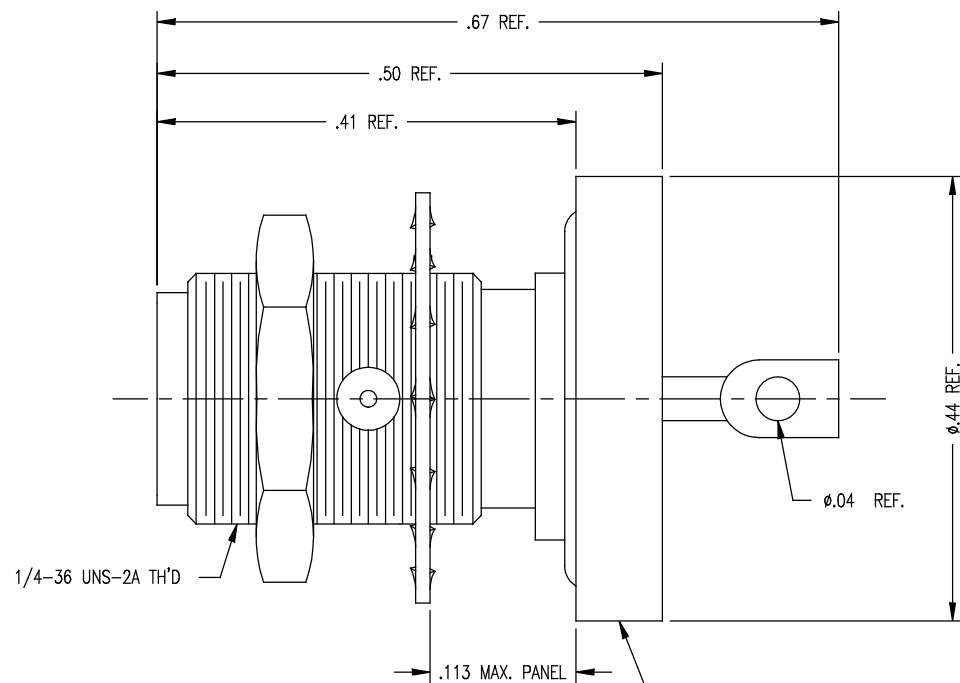


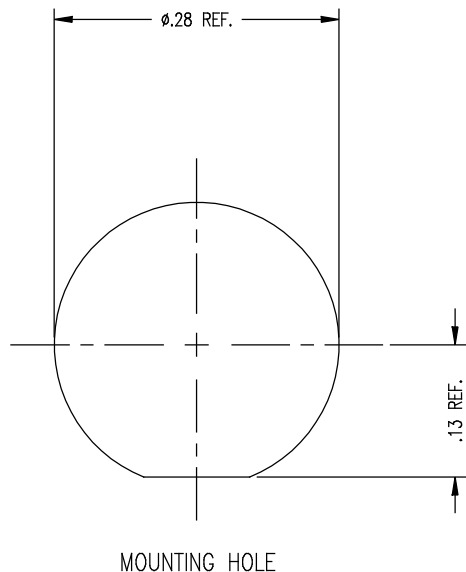
DASH NO.	M CODE	MADE FROM
----------	--------	-----------



GSD

M39012/62-4001

ISSUE		CHANGES	
6	CN LNM	32323 A	06/25/90
7	CN KH	36056 C	01/31/95
8	CN HVN	39977 E	07/20/07



MOUNTING HOLE

STAMP: 91836 M39012/62-4001

- NOTES:
- INTERFACE PER MIL-STD-348, FIG. 310-2.
 - MARK PACKAGE: KINGS 874-3 YRWK (DATE CODE)
 - MATERIALS:
 - INSULATOR: TEFLON, ASTM-D-4894
 - O-RING: SIL. RUB., A-A-59588
 - CENTER CONTACT: BER. COP., ASTM-B-196
 - LOCKWASHER: PHOS. BRONZE, ASTM-B-103
 - ALL OTHER METAL PARTS: BRASS, ASTM-B-16
 - FINISHES:
 - ALL METAL PARTS: HARD GOLD PLATE PER ASTM-B-488
 - ELECTRICAL CHARACTERISTICS:
 - NOMINAL IMPEDANCE: 50 OHMS
 - VOLTAGE RATING: 500 VRMS
 - FREQUENCY RANGE: DC TO 12.4 GHz
 - LEAKAGE RATE SHALL NOT EXCEED 10^{-7} CC/SEC OF TRACER GAS AT ATMOSPHERIC PRESSURE.

SCALE	8:1	
APPROX SURFACE AREA	874-3	
USED ON		
REF:	RECEPTACLE, BULKHEAD, HERMETIC SEAL, REAR MOUNT, SMA	
DRAWN	JCA	DATE 03/11/92
DESIGN	MJB	DATE 03/11/92
APPR.		DATE

KINGS
A Winchester Electronics Company

M39012/62-4001

GSD