

PLEASE CHECK WWW.MOLEX.COM FOR LATEST PART INFORMATION

Part Number: [0039013149](#)
Status: **Active**
Overview: [Mini-Fit Jr. Power Connectors](#)
Description: Mini-Fit Jr. Plug Housing, Dual Row, 14 Circuits, UL 94V-0, without Panel Mounting Ears, Natural

Documents:

[3D Model](#) [RoHS Certificate of Compliance \(PDF\)](#)
[Drawing \(PDF\)](#)

Agency Certification

CSA LR19980
 UL E29179

General

Product Family Crimp Housings
 Series [5559](#)
 Application Power, Wire-to-Board, Wire-to-Wire
 Comments Current = 13A max. per circuit when header is mated to a receptacle loaded with [45750](#) series terminals crimped to 16 AWG wire. . See Molex product specification PS-45750-001 for additional current derating information.
 Overview [Mini-Fit Jr. Power Connectors](#)
 Product Name Mini-Fit Jr.
 UPC 800754943222

Physical

Breakaway No
 Circuits (maximum) 14
 Color - Resin Natural
 Flammability 94V-0
 Gender Plug
 Glow-Wire Capable No
 Keying to Mating Part None
 Lock to Mating Part Yes
 Material - Resin Nylon
 Net Weight 3.933/g
 Number of Rows 2
 Packaging Type Bag
 Panel Mount No
 Pitch - Mating Interface 4.20mm
 Pitch - Termination Interface 4.20mm
 Polarized to Mating Part Yes
 Stackable No
 Temperature Range - Operating -40° to +105°C

Electrical

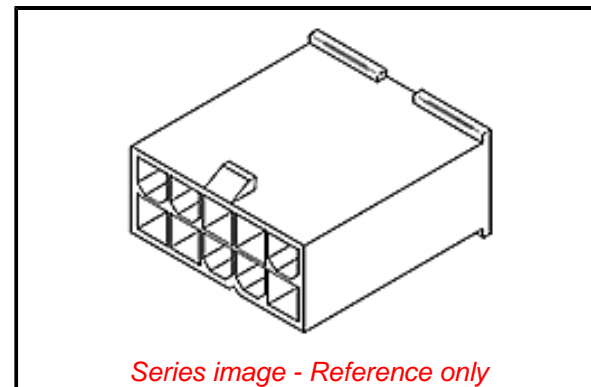
Current - Maximum per Contact 13.0A

Solder Process Data

Lead-freeProcess Capability N/A

Material Info

Engineering Number 5559-14P1-210



Series image - Reference only

EU ELV

Not Relevant

EU RoHS

Compliant

REACH SVHC

Not Contained Per - ED/61/2018 (27 June 2018)

Halogen-Free

Status

Low-Halogen

Need more information on product environmental compliance?

Email productcompliance@molex.com
 Please visit the [Contact Us](#) section for any non-product compliance questions.

China ROHS

ELV

RoHS Phthalates

Green Image

Not Relevant

Not Contained

Search Parts in this Series

[5559](#) Series

Mates With

Receptacle Housing [39-01-2145](#)

Use With

[5558](#) Mini-Fit Jr. Male Crimp Terminals.
[30490](#) Mini-Fit Male Grounding Crimp Terminals
 [46012](#) Mini-Fit Plus Crimp Terminal

This document was generated on 08/06/2018

PLEASE CHECK WWW.MOLEX.COM FOR LATEST PART INFORMATION