

PLEASE CHECK WWW.MOLEX.COM FOR LATEST PART INFORMATION

Part Number: **0471511003**
Status: **Active**
Overview: high definition multimedia interface hdmi
Description: 0.50mm (.020") Pitch HDMI* Receptacle, Right Angle, Front Solder Tab Length 1.80mm (.071"), Shell Nickel (Ni) Plated, with Back Cover, Black Housing, Tape and Reel Package, 19 Circuits, Lead Free

Documents:

[Drawing \(PDF\)](#) [RoHS Certificate of Compliance \(PDF\)](#)
[Product Specification PS-47152-001 \(PDF\)](#)

General

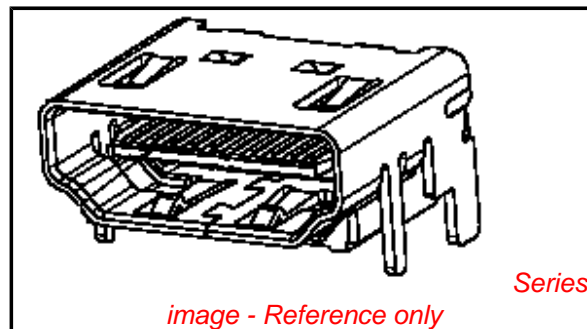
Product Family	I/O Connectors
Series	47151
Application	Wire-to-Board
Component Type	Receptacle
Overview	high definition multimedia interface hdmi
Product Name	HDMI
Type	N/A

Physical

Boot Color	N/A
Circuits (Loaded)	19
Color - Resin	Black
Gender	Male
Keying to Mating Part	Yes
Lock to Mating Part	Yes
Material - Metal	Copper Alloy
Material - Plating Mating	Gold
Material - Plating Termination	Tin-Bismuth
Number of Rows	2
Orientation	Right Angle
PCB Locator	No
PCB Retention	Yes
Packaging Type	Embossed Tape on Reel
Panel Mount	Without Flange
Pitch - Mating Interface (in)	0.020 In
Pitch - Mating Interface (mm)	0.50 mm
Pitch - Term. Interface (in)	0.020 In
Pitch - Term. Interface (mm)	0.50 mm
Plating min: Mating (µin)	15
Plating min: Mating (µm)	0.38
Plating min: Termination (µin)	40
Plating min: Termination (µm)	1
Polarized to Mating Part	Yes
Polarized to PCB	Yes
Ports	1
Temperature Range - Operating	-20°C to +85°C
Termination Interface: Style	Surface Mount
Waterproof / Dustproof	No
Wire Size AWG	N/A

Electrical

Current - Maximum per Contact	.5A
Shielded	Yes
Voltage - Maximum	40V DC



EU RoHS

**ELV and RoHS
Compliant**
**REACH SVHC
Contains SVHC: No**
**Halogen-Free
Status**

China RoHS



**Need more information on product
environmental compliance?**

Email productcompliance@molex.com
For a multiple part number RoHS Certificate of Compliance, [click here](#)

Please visit the [Contact Us](#) section for any non-product compliance questions.

Search Parts in this Series

47151Series

Mates With

[88768](#) HDMI cable assembly, [88764](#) HDMI Adapter, [88767](#) HDMI Adapter

Solder Process Data

Duration at Max. Process Temperature (seconds)	3
Lead-free Process Capability	Reflow Capable (SMT only)
Max. Cycles at Max. Process Temperature	2
Process Temperature max. C	250

Material Info

Reference - Drawing Numbers

Packaging Specification	PK-47151-001
Product Specification	PS-47152-001
Sales Drawing	SD-47151-001

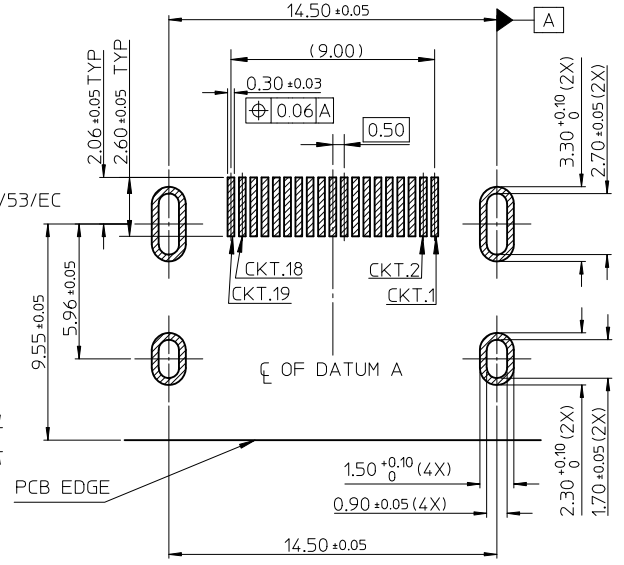
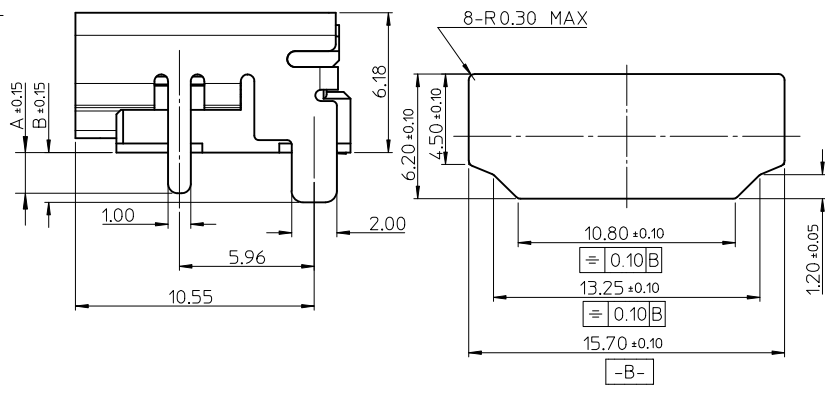
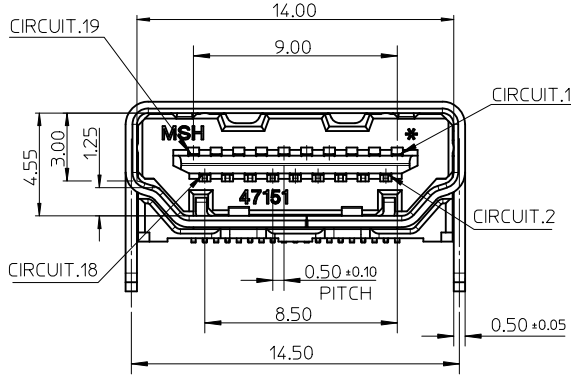
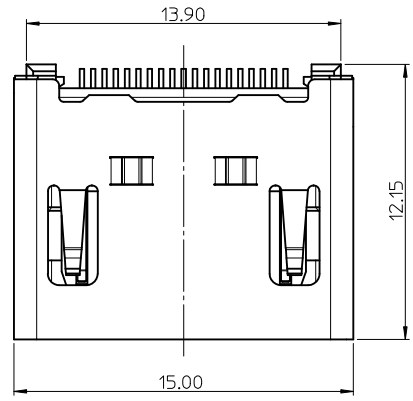
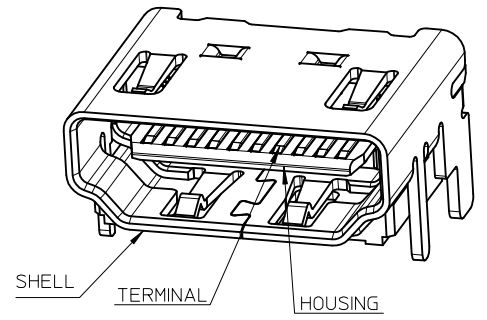
* High Definition Multimedia Interface and HDMI are trademarks of HDMI Licensing, LLC.

This document was generated on 05/19/2010

PLEASE CHECK WWW.MOLEX.COM FOR LATEST PART INFORMATION

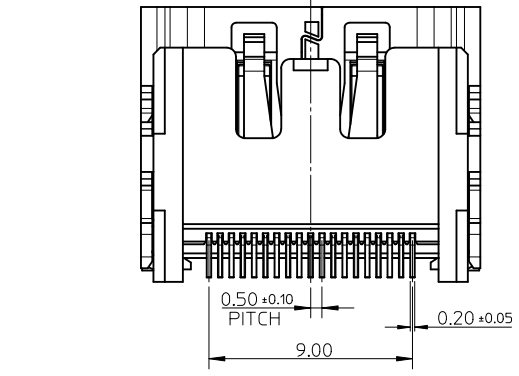
NOTES:

1. MATERIAL:
HOUSING: THERMOPLASTIC . COLOR: SEE TABLE.
SHELL: COPPER ALLOY.
TERMINAL: COPPER ALLOY.
2. PLATING:
TERMINAL:
CONTACT AREA: (1) 0.76 MICROMETER MIN. GOLD PLATING.
(2) 0.25 MICROMETER MIN. GOLD PLATING.
(3) GOLD FLASH.
(4) 0.375 MICROMETER MIN. GOLD PLATING.
SOLDER AREA: 1 MICROMETER MIN. TIN-BISMUTH ALLOY PLATED.
UNDER PLATE: 1.27 MICROMETER MIN. NICKEL.
SHELL: (a) 1.27 MICROMETER MIN. SOLDERABLE NICKEL PLATE OVERALL.
(b) GOLD FLASH PLATING OVER 1.27 MICROMETER MIN. NICKEL PLATING OVERALL.
3. COPLANARITY IS 0.1MM MAX.
4. PRODUCT SPECIFICATION REFER TO PS-47152-001.
5. PACKAGE SPECIFICATION FOR WITHOUT FLANGE REFER TO PK-47151-001.
6. PRODUCT COMPLIANT TO RoHS DEIRECTIVE 2002/95/EC AND ELV DIRECTIVE 2000/53/EC

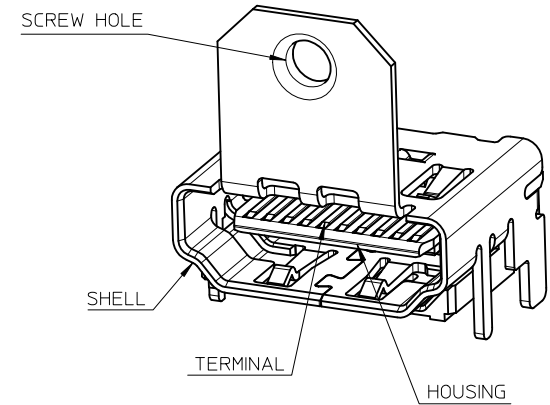
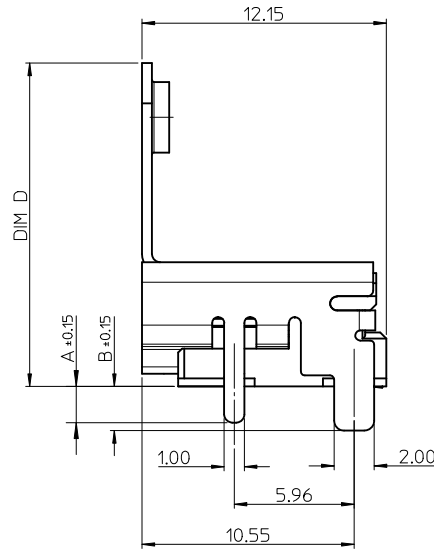
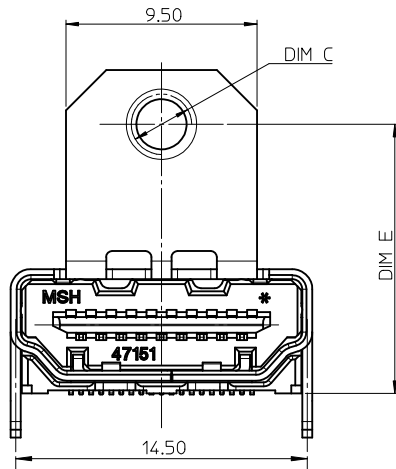
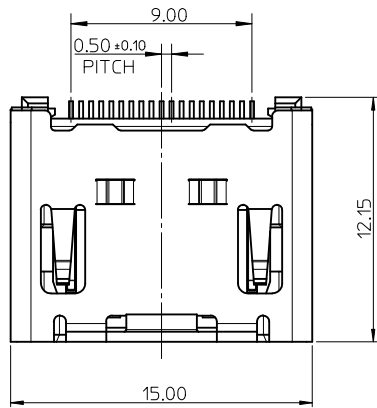


RECOMMENDED PCB LAYOUT
CONNECTOR SIDE

RECOMMENDED PANEL CUT OUT DIMENSION



ADD PART NUMBER EC NO: SH2010-0164 DRWN:XOZHANG 2009/10/20 CHKD:GLLI 2009/10/21 APPR:XJISONG 2009/11/30	QUALITY SYMBOLS F=0 F=0 F=0	GENERAL TOLERANCES (UNLESS SPECIFIED)		DIMENSION STYLE MM ONLY		SCALE 5:1	DESIGN UNITS METRIC	THIRD ANGLE PROJECTION			
		4 PLACES ± --- ± --- 3 PLACES ± --- ± --- 2 PLACES ± 0.25 ± --- 1 PLACE ± 0.25 ± ---	mm INCH	DRAWN BY RZHANG	DATE 2004/07/20	TITLE 1.0 HDMI RIGHT ANGLE HEADER ASSEMBLY(19 PIN) LEAD FREE					
		ANGULAR ± 3 °		CHECKED BY GRMA	DATE 2004/07/20	MOLEX INCORPORATED					
		DRAFT WHERE APPLICABLE MUST REMAIN WITHIN DIMENSIONS		APPROVED BY YTYAP	DATE 2004/07/20	MATERIAL NO. SEE SHEET 6		DOCUMENT NO. SD-47151-001	SHEET NO. 1 OF 8		

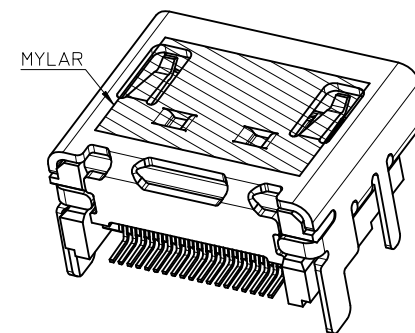
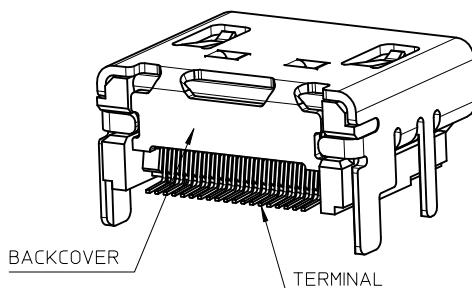
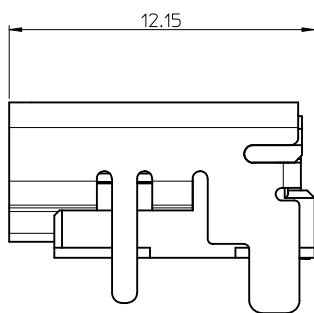
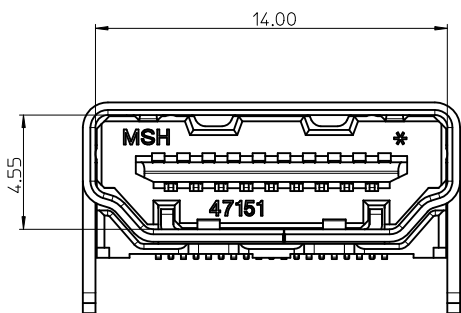
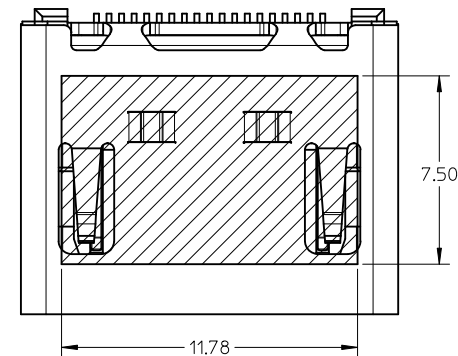
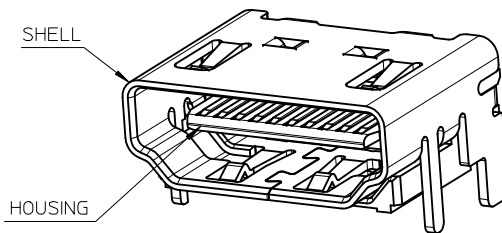
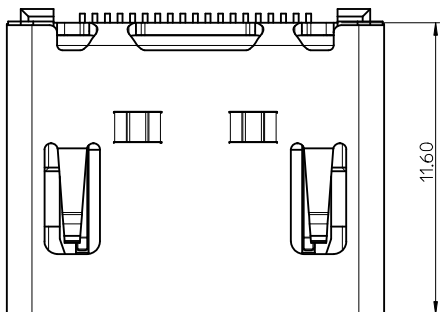


NOTES:

1. THE UNSPECIFIED DIMENSIONS REFER TO SHEET 1.
2. PACKAGE SPECIFICATION FOR WITH FLANGE REFER TO PK-47151-002.

SEE SHEET 1 EC NO: SH2010-0164 DRWN: XQZHANG CHKD: GLLI APPR: XJ SONG	2009/10/20 2009/10/21 2009/11/30	QUALITY SYMBOLS $\nabla_A = 0$ $\nabla_C = 0$ $\nabla_P = 0$	GENERAL TOLERANCES (UNLESS SPECIFIED)		DIMENSION STYLE MM ONLY		SCALE 5:1	DESIGN UNITS METRIC	THIRD ANGLE PROJECTION	
			mm INCH	DRAWN BY RZHANG	DATE 2004/07/20	TITLE 1.0 HDMI RIGHT ANGLE HEADER ASSEMBLY(19 PIN) LEAD FREE				
			4 PLACES ± --- ± --- 3 PLACES ± --- ± --- 2 PLACES ± 0.25 ± --- 1 PLACE ± 0.25 ± ---	CHECKED BY GRMA	DATE 2004/07/20	MOLEX INCORPORATED				
			ANGULAR ± 3 °	APPROVED BY YTYAP	DATE 2004/07/20					MATERIAL NO. SEE SHEET 6
			DRAFT WHERE APPLICABLE MUST REMAIN WITHIN DIMENSIONS		SIZE A3	THIS DRAWING CONTAINS INFORMATION THAT IS PROPRIETARY TO MOLEX INCORPORATED AND SHOULD NOT BE USED WITHOUT WRITTEN PERMISSION				

WITH BACK COVER



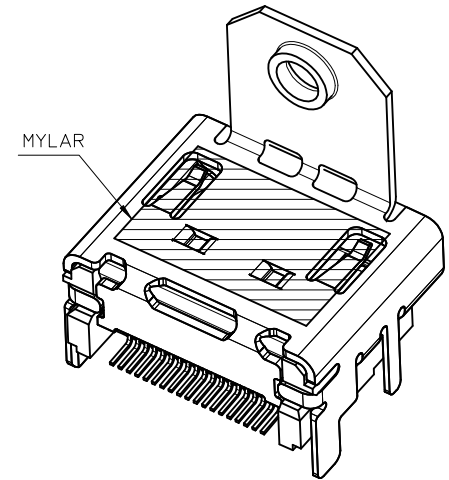
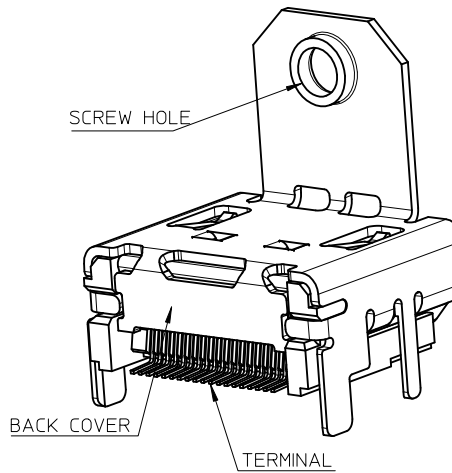
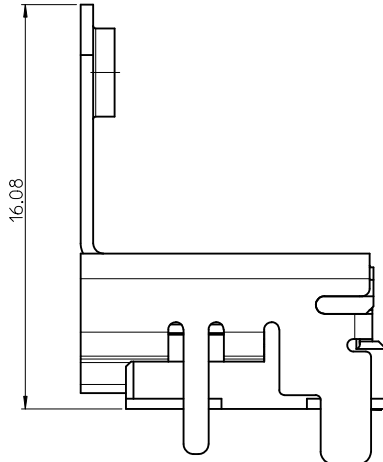
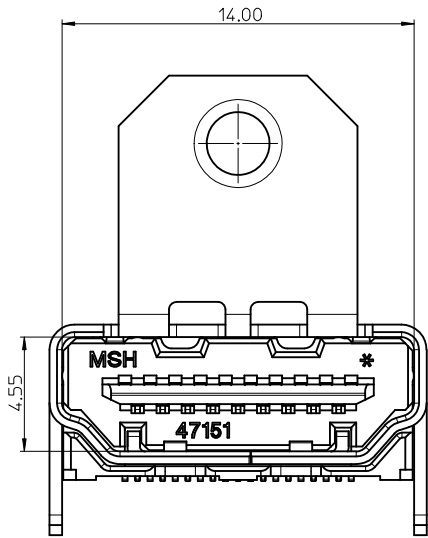
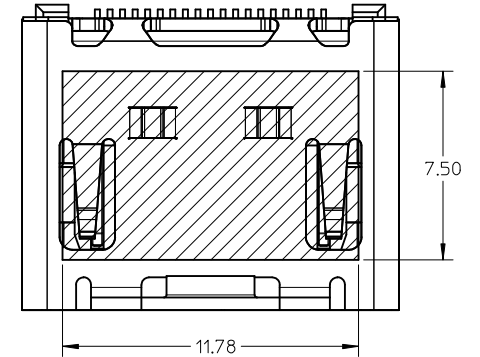
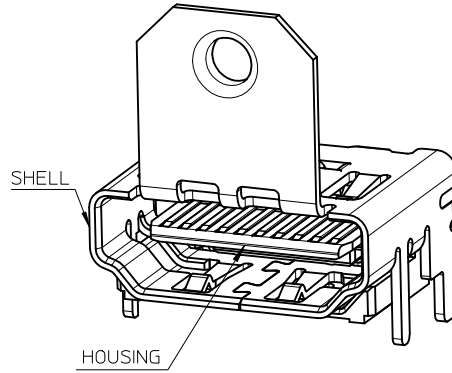
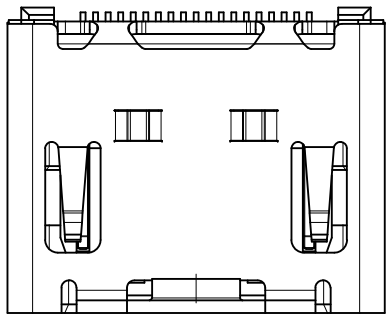
NOTES:

1. THE UNSPECIFIED DIMENSIONS REFER TO 47151-0001.
2. PACKAGE SPECIFICATION FOR WITHOUT FLANGE REFER TO PK-47151-001.

THIS IS ONLY FOR 47151-1061/1071/1081

SEE SHEET 1 EC NO: SH2010-0164 DRWN: XQZHANG CHKD: GLLI APPR: XJSONG	2009/10/20 2009/10/21 2009/11/30	DESCRIPTION REV	QUALITY SYMBOLS	GENERAL TOLERANCES (UNLESS SPECIFIED)	DIMENSION STYLE	SCALE	DESIGN UNITS	THIRD ANGLE PROJECTION		
			$\nabla_A = 0$ $\nabla_B = 0$ $\nabla_C = 0$	mm INCH 4 PLACES ± --- ± --- 3 PLACES ± --- ± --- 2 PLACES ± 0.25 ± --- 1 PLACE ± 0.25 ± --- ANGULAR ± 3 °	MM ONLY	5:1	METRIC	DRAWN BY: RZHANG CHECKED BY: GRMA APPROVED BY: YTYAP MATERIAL NO.	DATE: 2004/07/20 DATE: 2004/07/20 DATE: 2004/07/20	TITLE: 1.0 HDMI RIGHT ANGLE HEADER ASSEMBLY(19 PIN) LEAD FREE MOLEX INCORPORATED
			DRAFT WHERE APPLICABLE MUST REMAIN WITHIN DIMENSIONS	SEE SHEET 7	SIZE: A3 THIS DRAWING CONTAINS INFORMATION THAT IS PROPRIETARY TO MOLEX INCORPORATED AND SHOULD NOT BE USED WITHOUT WRITTEN PERMISSION	DOCUMENT NO.: SD-47151-001	SHEET NO.: 3 OF 8			

WITH BACK COVER

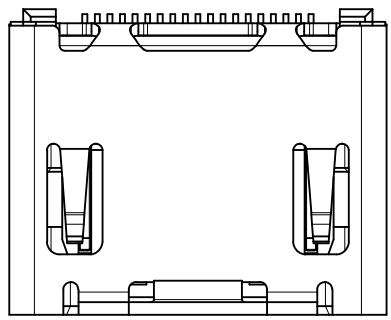


THIS IS ONLY FOR
47151-1025/1075/1085/6022/6032/1026/2062

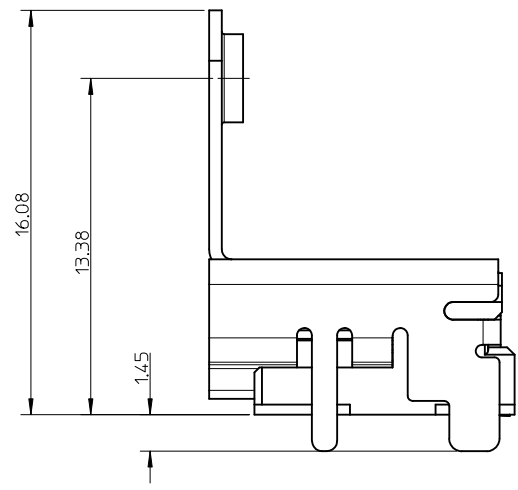
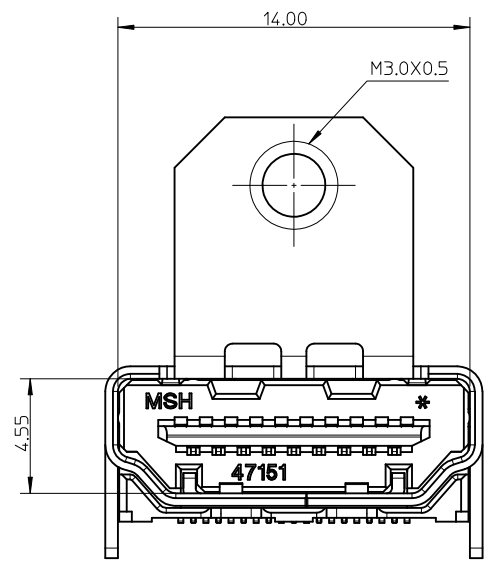
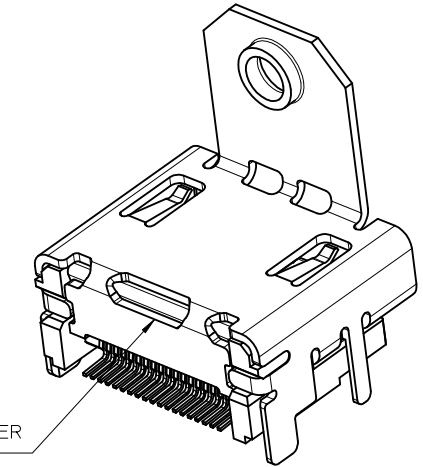
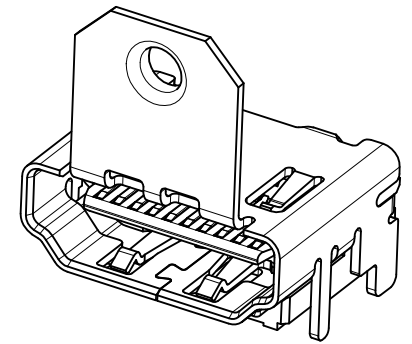
NOTES:

1. THE UNSPECIFIED DIMENSIONS REFER TO 47151-0002.
2. PACKAGE SPECIFICATION FOR WITH FLANGE:
 OPTION 1: 47151-1026/2062/6032 REFER TO PK-47151-005.
 OPTION 2: 47151-1102 REFER TO PK-47151-003.
 OPTION 3: OTHER PART NUMBER REFER TO PK-47151-002.

SEE SHEET 1 EC NO: SH2010-0164 DRW: XQZHANG CHK: GLLI APPR: XJSONG	2009/10/20 2009/10/21 2009/11/30	DESCRIPTION REV	QUALITY SYMBOLS	GENERAL TOLERANCES (UNLESS SPECIFIED)		DIMENSION STYLE MM ONLY		SCALE 5:1	DESIGN UNITS METRIC	THIRD ANGLE PROJECTION
			$\nabla_A = 0$ $\nabla_C = 0$ $\nabla_B = 0$	mm INCH 4 PLACES ± --- ± --- 3 PLACES ± --- ± --- 2 PLACES ± 0.25 ± --- 1 PLACE ± 0.25 ± --- ANGULAR ± 3 °	DRAWN BY RZHANG CHECKED BY GRMA APPROVED BY YTYAP	DATE 2004/07/20 DATE 2004/07/20 DATE 2004/07/20	TITLE 1.0 HDMI RIGHT ANGLE HEADER ASSEMBLY(19 PIN) LEAD FREE			
			DRAFT WHERE APPLICABLE MUST REMAIN WITHIN DIMENSIONS		MATERIAL NO. SEE SHEET 8		MOLEX INCORPORATED			
			SIZE A3		THIS DRAWING CONTAINS INFORMATION THAT IS PROPRIETARY TO MOLEX INCORPORATED AND SHOULD NOT BE USED WITHOUT WRITTEN PERMISSION			DOCUMENT NO. SD-47151-001	SHEET NO. 4 OF 8	



WITHOUT TOP HOLE



NOTES:
 1. THE UNSPECIFIED DIMENSIONS REFER TO 47151-1102.
 2. PACKAGE SPECIFICATION FOR WITH FLANGE REFER TO PK-47151-002.

SEE SHEET 1 IEC NO: SH2010-0164 DRWN: XZHZHANG CH'KD: GLLI APPR: XJ.SONG	2009/10/20 2009/10/21 2009/11/30	DESCRIPTION REV	QUALITY SYMBOLS	GENERAL TOLERANCES (UNLESS SPECIFIED)	DIMENSION STYLE	SCALE	DESIGN UNITS	THIRD ANGLE PROJECTION		
			$\nabla_F = 0$ $\nabla_E = 0$ $\nabla_A = 0$	mm INCH 4 PLACES ± --- ± --- 3 PLACES ± --- ± --- 2 PLACES ± 0.25 ± --- 1 PLACE ± 0.25 ± --- ANGULAR ± 3 °	MM ONLY	5:1	METRIC	DRAWN BY: RZHANG CHECKED BY: GRMA APPROVED BY: YTYAP MATERIAL NO.	DATE: 2004/07/20 DATE: 2004/07/20 DATE: 2004/07/20	TITLE: 1.0 HDMI RIGHT ANGLE HEADER ASSEMBLY(19 PIN) LEAD FREE
			DRAFT WHERE APPLICABLE MUST REMAIN WITHIN DIMENSIONS	SEE SHEET 7	MOLEX INCORPORATED DOCUMENT NO. SD-47151-001	SHEET NO. 5 OF 8				
			THIS DRAWING CONTAINS INFORMATION THAT IS PROPRIETARY TO MOLEX INCORPORATED AND SHOULD NOT BE USED WITHOUT WRITTEN PERMISSION							

ASSEMBLY P/N	DIMENSION					FEATURE				HOUSING COLOUR	GOLD PLATING IN CONTACT AREA	SHELL PLATING	REMARK		
	DIM A	DIM B	DIM C	DIM D	DIM E	FLANGE	BACK COVER	TOP HOLES	MYLAR						
47151-0001	1.80	2.20	/	/	/	W/O	W/O	WITH	W/O	BLACK	SEE NOTE 2 (1)	SEE NOTE 2 (a)	FOR SHEET 1		
47151-0041															
47151-0051															
47151-0011															
47151-0071															
47151-0061															
47151-0021															
47151-0031															
47151-0101	1.45	1.45	/	/	/	W/O	W/O	WITH	W/O	BLACK	SEE NOTE 2 (1)	SEE NOTE 2 (a)		FOR SHEET 2	
47151-0141															
47151-0151															
47151-0111															
47151-0181															
47151-0161															
47151-0121															
47151-0131															
47151-0002	1.80	2.20	M3.0x0.5	16.08	13.38	WITH	W/O	WITH	W/O	BLACK	SEE NOTE 2 (1)	SEE NOTE 2 (a)	FOR SHEET 2		
47151-0042															
47151-0062															
47151-0012															
47151-0052															
47151-0072															
47151-0022															
47151-0032															
47151-0102	1.45	1.45	M3.0x0.5	16.08	13.38	WITH	W/O	WITH	W/O	BLACK	SEE NOTE 2 (1)	SEE NOTE 2 (a)		FOR SHEET 2	
47151-0142															
47151-0162															
47151-0112															
47151-0152															
47151-0172															
47151-0122															
47151-0132															
47151-6002	1.80	2.20	M3.0x0.5	14.25	11.28	WITH	W/O	WITH	W/O	BLACK	SEE NOTE 2 (1)	SEE NOTE 2 (a)	FOR SHEET 2		
47151-6062															
47151-6082															
47151-6102	1.45	1.45	M3.0x0.5	14.25	11.28	WITH	W/O	WITH	W/O	BLACK	SEE NOTE 2 (1)	SEE NOTE 2 (a)			FOR SHEET 2
47151-6172															
47151-6162															

SEE SHEET 1 EC NO: SH2010-0164 DRWN: XZHZHANG CHKD: GLLI APPR: XJ.SONG	QUALITY SYMBOLS $F_A=0$ $F_C=0$ $F_P=0$	GENERAL TOLERANCES (UNLESS SPECIFIED)		DIMENSION STYLE MM ONLY		SCALE 1:1	DESIGN UNITS METRIC	THIRD ANGLE PROJECTION	
		mm INCH		DRAWN BY RZHANG	DATE 2004/07/20	TITLE 1.0 HDMI RIGHT ANGLE HEADER ASSEMBLY(19 PIN) LEAD FREE			
		4 PLACES ± --- ± --- 3 PLACES ± --- ± --- 2 PLACES ± 0.25 ± --- 1 PLACE ± 0.25 ± ---		CHECKED BY GRMA	DATE 2004/07/20	MOLEX INCORPORATED			
		ANGULAR ± 3 °		APPROVED BY YTYAP	DATE 2004/07/20	MATERIAL NO. SEE TABLE		DOCUMENT NO. SD-47151-001	SHEET NO. 6 OF 8
DRAFT WHERE APPLICABLE MUST REMAIN WITHIN DIMENSIONS		THIS DRAWING CONTAINS INFORMATION THAT IS PROPRIETARY TO MOLEX INCORPORATED AND SHOULD NOT BE USED WITHOUT WRITTEN PERMISSION							

ASSEMBLY P/N	DIMENSION					FEATURE				HOUSING COLOUR	GOLD PLATING IN CONTACT AREA	SHELL PLATING	REMARK												
	DIM A	DIM B	DIM C	DIM D	DIM E	FLANGE	BACK COVER	TOP HOLES	MYLAR																
47151-1001	1.80	2.20	/	/	/	W/O	WITH	WITH	W/O	BLACK	SEE NOTE 2 (1) SEE NOTE 2 (2) SEE NOTE 2 (3) SEE NOTE 2 (4)	SEE NOTE 2 (a)	FOR SHEET 3												
47151-1041																									
47151-1051																									
47151-1003																									
47151-1061																									
47151-1071																									
47151-1081																									
47151-1011																									
47151-1211																									
47151-1311																									
47151-1021																									
47151-1091																									
47151-1031																									
47151-1101																									
47151-1141	1.45	1.45	/	/	/	W/O	WITH	WITH	W/O	SEE NOTE 2 (1) SEE NOTE 2 (2) SEE NOTE 2 (3) SEE NOTE 2 (1) SEE NOTE 2 (2) SEE NOTE 2 (3)	SEE NOTE 2 (a)	FOR SHEET 5													
47151-1151																									
47151-1111																									
47151-1161																									
47151-1171																									
47151-1121																									
47151-1131																									
47151-7102																									
47151-7142																									
47151-7162																									
													1.45	1.45	M3.0x0.5	16.08	13.38	WITH	WITH	W/O	W/O	BLACK	SEE NOTE 2 (1) SEE NOTE 2 (2) SEE NOTE 2 (3)	SEE NOTE 2 (a)	FOR SHEET 5

SEE SHEET 1 EC NO: SH2010-0164 DRWN: XZHANG 2009/10/20 CHKD: GLLI 2009/10/21 APPR: XJISONG 2009/11/30	QUALITY SYMBOLS $\nabla_A = 0$ $\nabla_B = 0$ $\nabla_C = 0$	GENERAL TOLERANCES (UNLESS SPECIFIED)		DIMENSION STYLE MM ONLY		SCALE 1:1	DESIGN UNITS METRIC	THIRD ANGLE PROJECTION	
		4 PLACES \pm --- \pm --- 3 PLACES \pm --- \pm --- 2 PLACES \pm 0.25 \pm --- 1 PLACE \pm 0.25 \pm ---	mm INCH	DRAWN BY RZHANG	DATE 2004/07/20	TITLE 1.0 HDMI RIGHT ANGLE HEADER ASSEMBLY(19 PIN) LEAD FREE			
		ANGULAR \pm 3 °		CHECKED BY GRMA	DATE 2004/07/20	MOLEX INCORPORATED			
		DRAFT WHERE APPLICABLE MUST REMAIN WITHIN DIMENSIONS		APPROVED BY YTYAP	DATE 2004/07/20	MATERIAL NO. SEE TABLE	DOCUMENT NO. SD-47151-001	SHEET NO. 7 OF 8	

ASSEMBLY P/N	DIMENSION					FEATURE				HOUSING COLOUR	GOLD PLATING IN CONTACT AREA	SHELL PLATING	REMARK								
	DIM A	DIM B	DIM C	DIM D	DIM E	FLANGE	BACK COVER	TOP HOLES	MYLAR												
47151-1002	1.80	2.20	M3.0x0.5	16.08	13.38	WITH	WITH	WITH	W/O	BLACK	SEE NOTE 2 (1) SEE NOTE 2 (2) SEE NOTE 2 (3) SEE NOTE 2 (4)	SEE NOTE 2 (a)	FOR SHEET 4								
47151-1042																					
47151-1052																					
47151-1062																					
47151-2062																					
47151-1012									W/O	NATURE	SEE NOTE 2 (1) SEE NOTE 2 (2) SEE NOTE 2 (3)										
47151-1072																					
47151-1082																					
47151-1022														BLACK	SEE NOTE 2 (1)						
47151-1032																NATURE	SEE NOTE 2 (1)				
47151-1102	1.45	1.45	M3.0x0.5	16.08	13.38	WITH	WITH	WITH	W/O	BLACK	SEE NOTE 2 (1) SEE NOTE 2 (2) SEE NOTE 2 (3) SEE NOTE 2 (1)	SEE NOTE 2 (a)									
47151-1142																					
47151-1152																					
47151-1112																					
47151-1162													NATURE	SEE NOTE 2 (2) SEE NOTE 2 (3)							
47151-1172																					
47151-1122									BLACK	SEE NOTE 2 (1)											
47151-1132											NATURE				SEE NOTE 2 (1)						
47151-1005									1.80	2.20	4-40				16.08	13.38	WITH	WITH	WITH	W/O	BLACK
47151-1045																					
47151-1065																					
47151-1015																					
47151-1035	WITH	BLACK	SEE NOTE 2 (1) SEE NOTE 2 (2) SEE NOTE 2 (3) SEE NOTE 2 (1) SEE NOTE 2 (2) SEE NOTE 2 (3)																		
47151-1055																					
47151-1025																					
47151-1075																					
47151-1085																					
47151-1026	1.80	2.20	M3.0x0.5	14.25	11.28	WITH	WITH	WITH				W/O	BLACK	SEE NOTE 2 (1) SEE NOTE 2 (2) SEE NOTE 2 (3)						SEE NOTE 2 (a)	
47151-6012																					
47151-6042																					
47151-6052									WITH	BLACK	SEE NOTE 2 (1) SEE NOTE 2 (2) SEE NOTE 2 (3)										
47151-6022																					
47151-6032																					
47151-6112												W/O	BLACK	SEE NOTE 2 (1) SEE NOTE 2 (2)							
47151-6142																					
47151-6152									W/O	BLACK	SEE NOTE 2 (1) SEE NOTE 2 (2) SEE NOTE 2 (3)										

SEE SHEET 1 EC NO: SH2010-0164 DRWN: XZHZHANG 2009/10/20 CH'KD: GLLI 2009/10/21 APPR: XJJSONG 2009/11/30	QUALITY SYMBOLS $F_{\Delta} = 0$ $F_{\square} = 0$ $F_{\nabla} = 0$	GENERAL TOLERANCES (UNLESS SPECIFIED)		DIMENSION STYLE MM ONLY	SCALE 1:1	DESIGN UNITS METRIC	THIRD ANGLE PROJECTION		
		4 PLACES \pm --- \pm --- 3 PLACES \pm --- \pm --- 2 PLACES \pm 0.25 \pm --- 1 PLACE \pm 0.25 \pm ---	mm INCH	DRAWN BY RZHANG	DATE 2004/07/20	TITLE 1.0 HDMI RIGHT ANGLE HEADER ASSEMBLY(19 PIN) LEAD FREE			
		ANGULAR \pm 3 °		CHECKED BY GRMA	DATE 2004/07/20	MOLEX INCORPORATED			
		DRAFT WHERE APPLICABLE MUST REMAIN WITHIN DIMENSIONS		APPROVED BY YTYAP	DATE 2004/07/20	MATERIAL NO. SEE TABLE	DOCUMENT NO. SD-47151-001	SHEET NO. 8 OF 8	