

规格书编号

SPEC NO :

产品规格书

SPECIFICATION

CUSTOMER 客户: _____

PRODUCT 产品: **V.C.O**

MODEL NO 型号: **HDM7090**

PREPARED 编制: Zhouping CHECKED 审核: Duchuangang

APPROVED 批准: CHARLES DATE 日期: 2008-08-25

| | | |
|-------------------------|-------------|---------|
| 客户确认 CUSTOMER RECEIVED: | | |
| 审核 CHECKED | 批准 APPROVED | 日期 DATE |
| | | |

无锡市好达电子有限公司
Shoulder Electronics Limited

1.Features

Low Noise,

High Frequency stability

Low operating supply voltage: +5V

Operating temperature rang: -40°C~85°C

Small Size

2.Applications

Frequency Modulation

Frequency Synthesizer

Phase-locked Loop

TV tuner

Spectrum Analyzer

Radar

Broadcasting Station

BaseStation

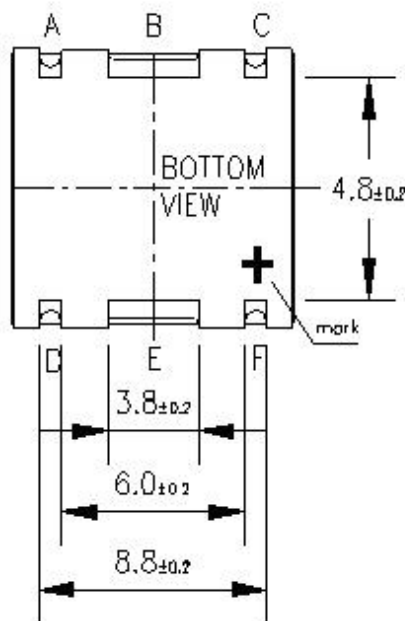
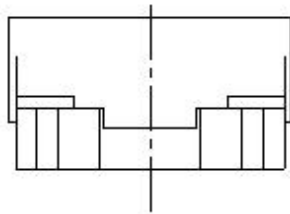
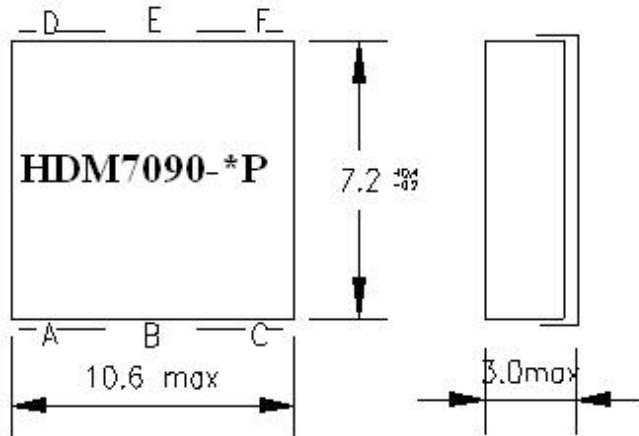
Repeater

3. Electrical Specification

Electrical Characteristics

| Parameter | Min | Typ | Max | Units | Remarks |
|---------------------------|------|------|-------|----------|-----------------------|
| Operating Voltage (Vcc) | 4.75 | 5.0 | 5.25 | Vdc | |
| Output Level | -3 | 0 | 3 | dBm | Vcc = 5.0V, Vt = 2.5V |
| Current Consumption (Icc) | | | 20 | mA | Vcc = 5.0V, Vt = 2.5V |
| Tuning Sensitivity(avg.) | 24 | | | MHz/V | Vt = 0.5 ~ 4.5V |
| Tuning Voltage (Vt) | 0.5 | | 4.5 | Vdc | |
| Oscillation Frequency | | | 1590 | MHz | Vcc = 5.0V, Vt = 0.5V |
| | 1710 | | | MHz | Vcc = 5.0V, Vt = 4.5V |
| C/N (@ 1 KHz offset) | | -75 | -70 | dBc / Hz | |
| C/N (@10 KHz offset) | | -99 | -95 | | Vcc = 5.0V, Vt = 2.5V |
| C/N (@ 100 KHz offset) | | -120 | -115 | | |
| C/N (@ 1 MHz offset) | | -140 | -130 | | |
| Pushing Figure | | | ±1500 | kHz | Vcc = 5.0V, Vt = 2.5V |
| 2'nd Harmonic | | -25 | -15 | dBc | Vcc = 5.0V, Vt = 2.5V |
| Load Impedance | | 50 | | Ω | |
| Operating Temperature | -30 | | +80 | ℃ | |

4. Outline Drawing



TITLE OF TERMINAL

- A : CONTROL VOLTAGE
- B,E : GROUND
- C : POWER SUPPLY
- D : AUDIO MODULATION (OR N.C)
- F : OUTPUT POWER
- * UNIT : mm
- CASE t : 0.2mm

Recommended Board Pattern

