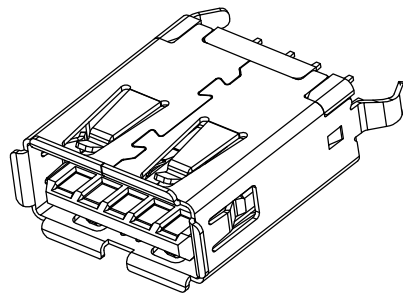
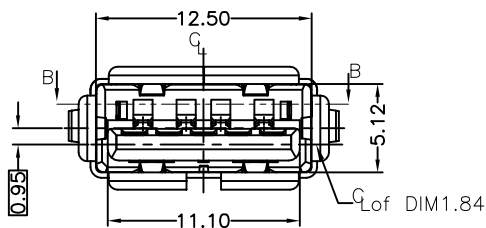
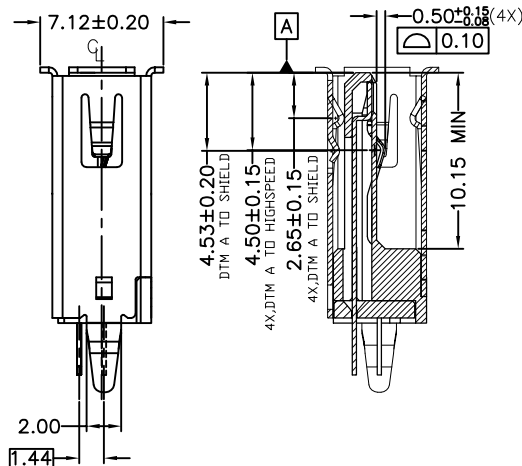
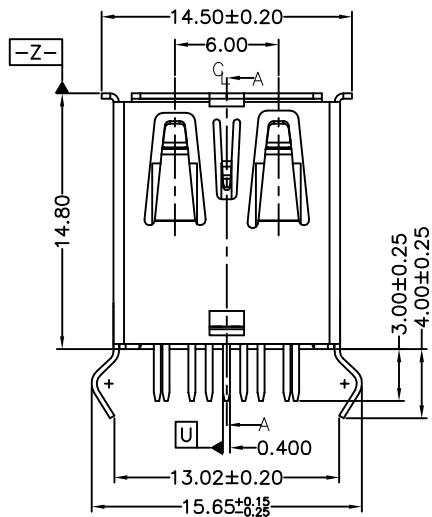


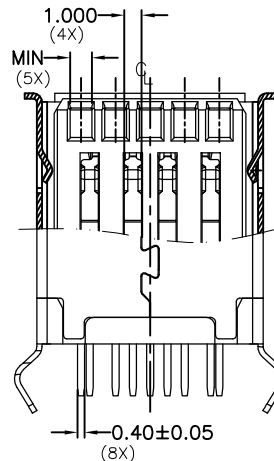
REVISION RECORD		
REV	DESCRIPTION	DRFT



NOTES:
MATERIAL:
1. HOUSING & COVER: PBT (UL 94V-0), COLOR: BLUE 300C ;
2. SHIELD: BRASS; PLATING NICKEL OVER ALL.
3. 4PIN CONTACT: PHOSPHOR BRONZE;
5PIN CONTACT: BRASS;
PLATING GOLD ON 5u" CONTACT AREA,
PLATING TIN 100u" ON SOLDER AREA,
NICKEL 50u" UNDERPLATING OVER ALL.

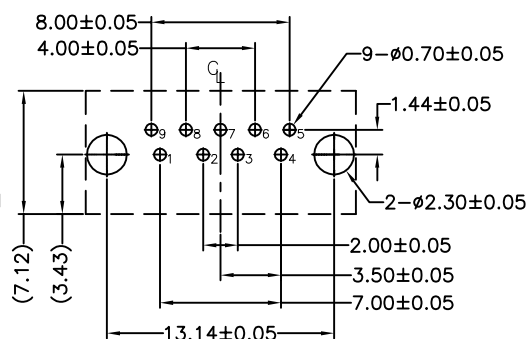
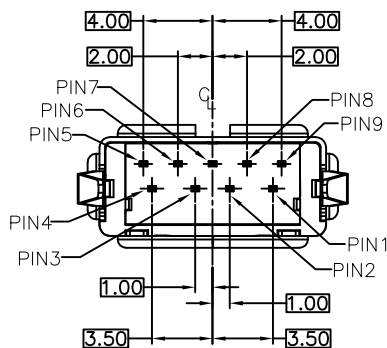


SECTION A-A
SCALE 1:1

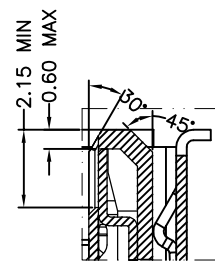


SECTION B-B
SCALE 1:1

CHARACTERISTICS:
1. CONTACT RESISTANCE: 30mΩ Max .FOR PIN 1 & PIN 4
50mΩ MAX.FOR OTHER CONTACTS
2. INSULATION RESISTANCE: 100MΩ Min.
3. DIELECTRIC WITHSTANDING VOLTAGE: 100 VAC .
4. MATING FORCE: 3.57Kgf MAX(35N Max)
5. EXTRACTION FORCE: 1.02Kgf Min(10N Min)
6. DURABILITY: 1500 CYCLES.
7. OPERATION TEMPERATURE: -20°C to +80°C



RECOMMEND P.C.B HOLE LAYOUT
TOP VIEW(TOLERANCE: 1.80±0.10)



DETAIL A
SCALE 1:1

MM (INCH)		DFTD Roy	DATE 11/20/2012		RoHS Compliant
TOLERANCES EXCEPT AS NOTED		CHKD	DATE		
MM		APPVL	DATE	TITLE RECEPTACLE, VERTICAL, THT	
.0 ± 0.30	±	MATERIAL :			
.0 ± 0.20	±	QT'Y :		DRAWING NO. E8199-002-01	
.00 ± 0.10	±	FINISH :		/PART NO. E8199-002-01	
.000 ± 0.05	±	SCALE : 1:1		DO NOT SCALE DRAWING	
ANGLES : X° ±2°		THIRD ANGLE PROJECTION		SHEET 1 OF 1	