

MAIN FEATURE

1. High switching current up to 15A in small size.
2. Sugar-Cube relay suitable for various applications.
3. UL, C-UL & TÜV safety standard approved.
4. UL Class F insulation available.
5. Highly adapt to harsh conditions with high temperature and vibration.
6. Halogen Free series available.
7. Comply with RoHS and REACH regulations.
8. In accordance with IEC 60335-1 Glow Wire requirements for home appliances.

CONTACT RATING

| Load Type | RW (DM/DB) | RW (D) | RWH (DM/DB) | RWH (D) |
|----------------------------|----------------|----------------|--------------------|-------------------|
| Rated Load (Resistive) | 12A 120VAC(UL) | 12A 120VAC(UL) | 12A 250VAC(UL) | 12A 250VAC(UL) |
| | 10A 120VAC | 10A 120VAC | 10A 277VAC(TUV) | 10A 277VAC(TUV) |
| | 10A 24VDC | 10A 24VDC | 15A 120VAC | 15A 120VAC |
| Contact capacity | - | - | 15A 24VDC | 15A 24VDC |
| | - | - | TV-5 120VAC (N/O)* | TV-5 120VAC(N/O)* |
| Rated Carrying Current | - | - | Tungsten (1800W)* | Tungsten (1800W)* |
| | 12A | 12A | 15A | 15A |
| Max. Allowable Voltage | AC 240V | AC 240V | AC 240V | AC 240V |
| | DC 110V | DC 110V | DC 110V | DC 110V |
| Max. Allowable Current | 12A | 12A | 15A | 15A |
| Max. Allowable Power Force | 1440VA | 1440VA | 3000VA | 3000VA |
| | 240W | 240W | 360W | 360W |
| Contact Material | Ag Alloy | Ag Alloy | Ag Alloy | Ag Alloy |
| Contact Form | SPST | SPDT | SPST | SPDT |

*Contact Material: AgCdO only

APPLICATION

Domestic Appliances, Office Machines, Audio Equipment, Coffeepot, Control Units, etc.

PERFORMANCE (AT INITIAL VALUE)

- Contact Resistance 100mΩ Max.@1A,6VDC
- Operate Time.....10mSec. Max.
- Release Time 5 mSec. Max.
- Dielectric Strength:
 - Between Coil & Contact..... 1,000VAC at 50/60 Hz for one minute
 - Between Contacts 500VAC at 50/60 Hz for one minute
- Surge Strength 3,000V (between Coil & Contact 1.2x50μSec.)
- Insulation Resistance 100 MegaΩ Min. at 500VDC
- Max. On/Off Switching:
 - Electrical 6 Cycles per Minute
 - Mechanical..... 300 Cycles per Minute

- Temperature Range -30~+85°C
- Humidity Range 45~85% RH.
- Coil Temperature Rise 35°C Max.
- Vibration:
 - Destruction 10 to 55 to 10 Hz,0.75 mm single amplitude (1.5mm double amplitude)
 - Malfunction 10 to 55 to 10 Hz,0.75 mm single amplitude (1.5mm double amplitude)
- Shock:
 - Destruction 1,000 m/S²
 - Malfunction 100 m/S²
- Life Expectancy:
 - Mechanical 10⁷ Operations at No Load condition
 - Electrical 10⁵ Operations at Rated Resistive Load
- Weight About 9 g

SAFETY STANDARD & FILE NUMBER

- UL & C-UL E141060
- TÜV R09854380
- CQC.....09002037102

COIL SPECIFICATION (AT 20°C)

| Coil Sensitivity | Nominal Voltage (VDC) | Nominal Current (mA) | Coil Resistance ($\Omega \pm 10\%$) | Power Consumption (W) | Pull-In Voltage (VDC) | Drop-Out Voltage (VDC) | Maximum Allowable Voltage (VDC) |
|------------------|-----------------------|----------------------|---------------------------------------|-----------------------|-----------------------|------------------------|---------------------------------|
| RW/RWH | 3 | 120 | 25 | Abt. 0.36 | 75% Maximum | 5% Minimum | 130% |
| | 5 | 71.4 | 70 | | | | |
| | 6 | 60 | 100 | | | | |
| | 9 | 40 | 225 | | | | |
| | 12 | 30 | 400 | | | | |
| | 18 | 20 | 900 | | | | |
| | 24 | 15 | 1,600 | | | | |
| | 36 | 10 | 3,600 | | | | |
| | 48 | 7.5 | 6,400 | | | | |

ORDERING INFORMATION

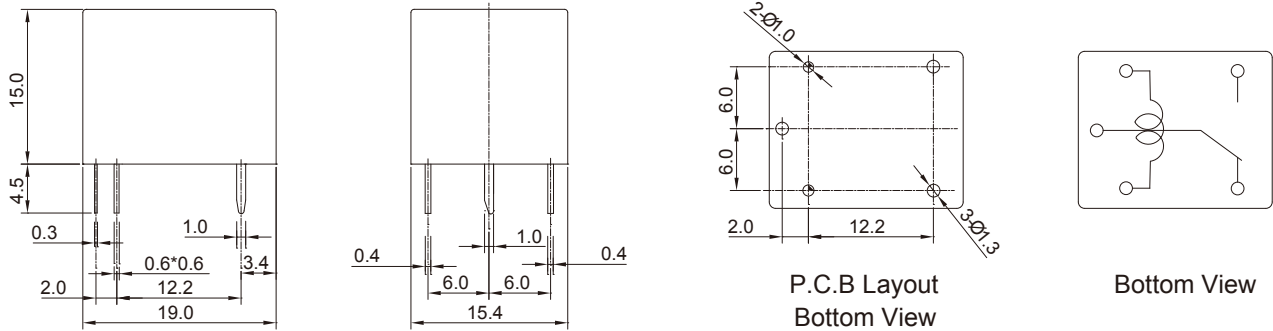
RW - SS - 1 12 D M C F

| | |
|--------------------|--|
| Insulation System: | Nil: Standard Class F: Class F |
| Contact Material: | Nil: AgSnO2 C: AgCdO |
| Contact Form: | Nil: One Form C M: One Form A B: One Form B D: Standard DC |
| Coil Type: | |
| Coil Voltage: | 03: 3V, 05: 5V, 06: 6V, 09: 9V, 12: 12V, 18: 18V, 24: 24V, 36: 36V, 48: 48V |
| Number of Pole: | 1: One Pole |
| Type of Sealing: | SS: RT II Flux Proofed SH: RT III Wash Tight |
| Type: | RW RWH |

CLASSIFICATION

| Model | RW / RWH | | |
|--------------|-------------------|---------------------|--------------------|
| Contact Form | 1C | 1A | 1B |
| Flux Proofed | RW / RWH -SS-1□□D | RW / RWH - SS-1□□DM | RW / RWH -SS-1□□DB |
| Wash Tight | RW / RWH-SH-1□□D | RW / RWH - SH-1□□DM | RW / RWH -SH-1□□DB |

DIMENSION (≤ 5mm ± 0.2mm, > 5mm ± 0.3mm, the tolerance of PCB thru hole: +0.1mm)



REFERENCE DATA

