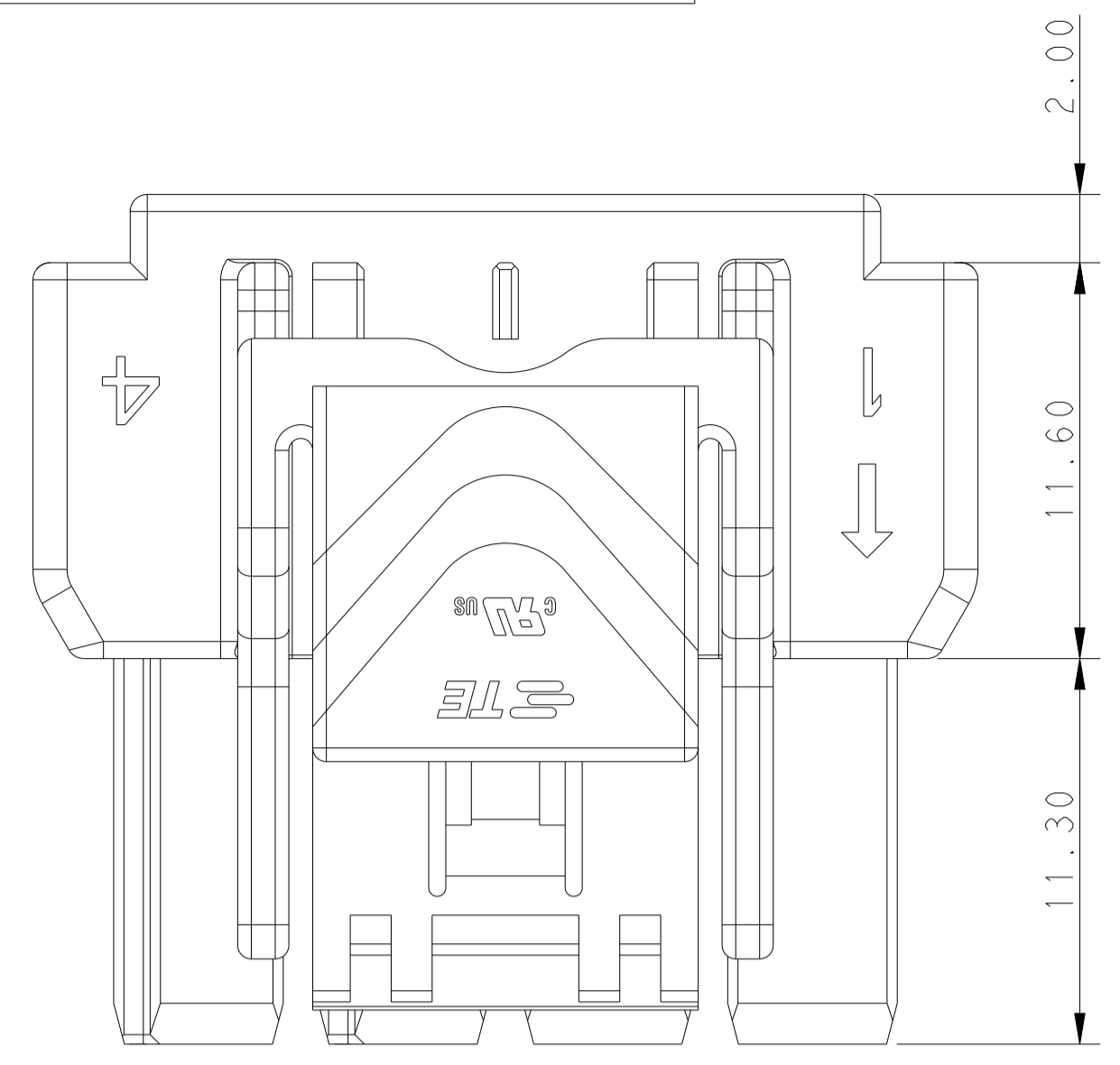
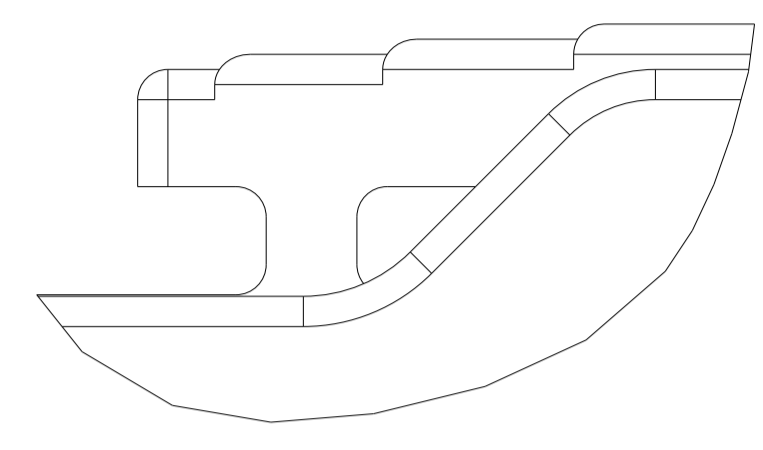


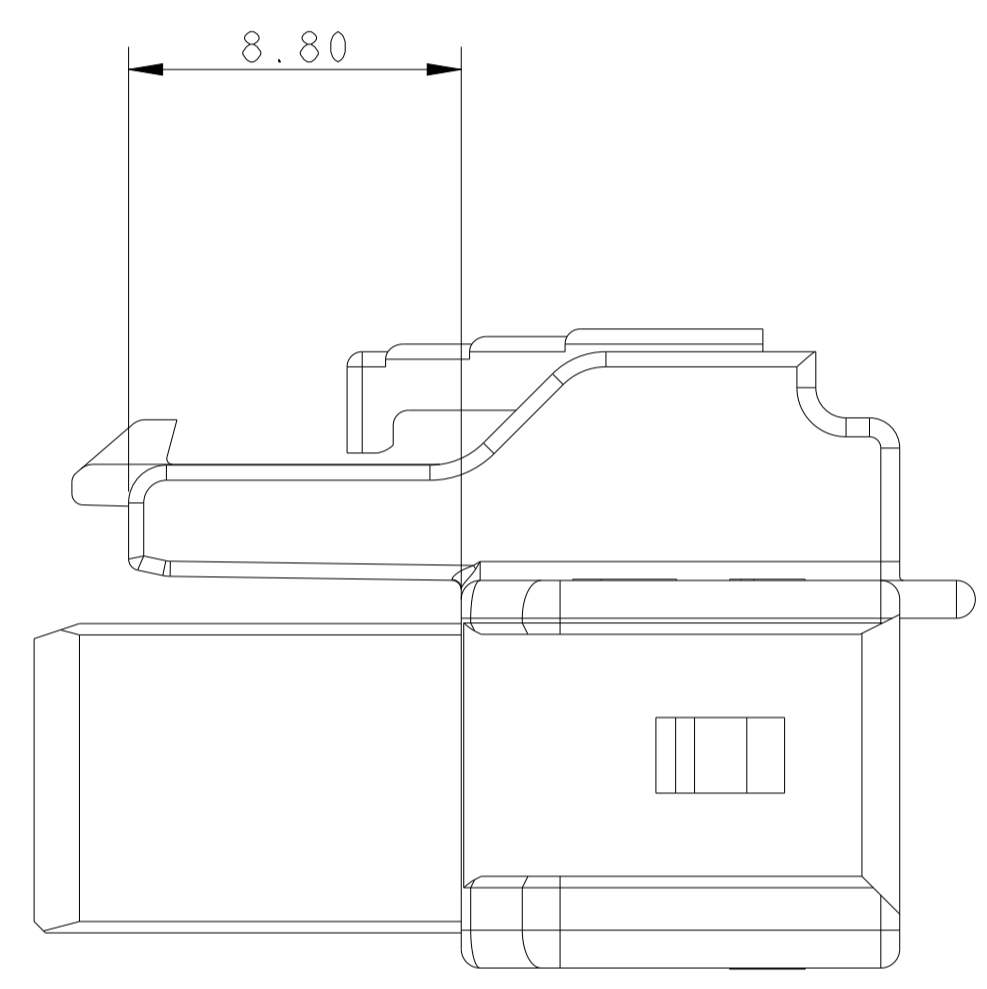
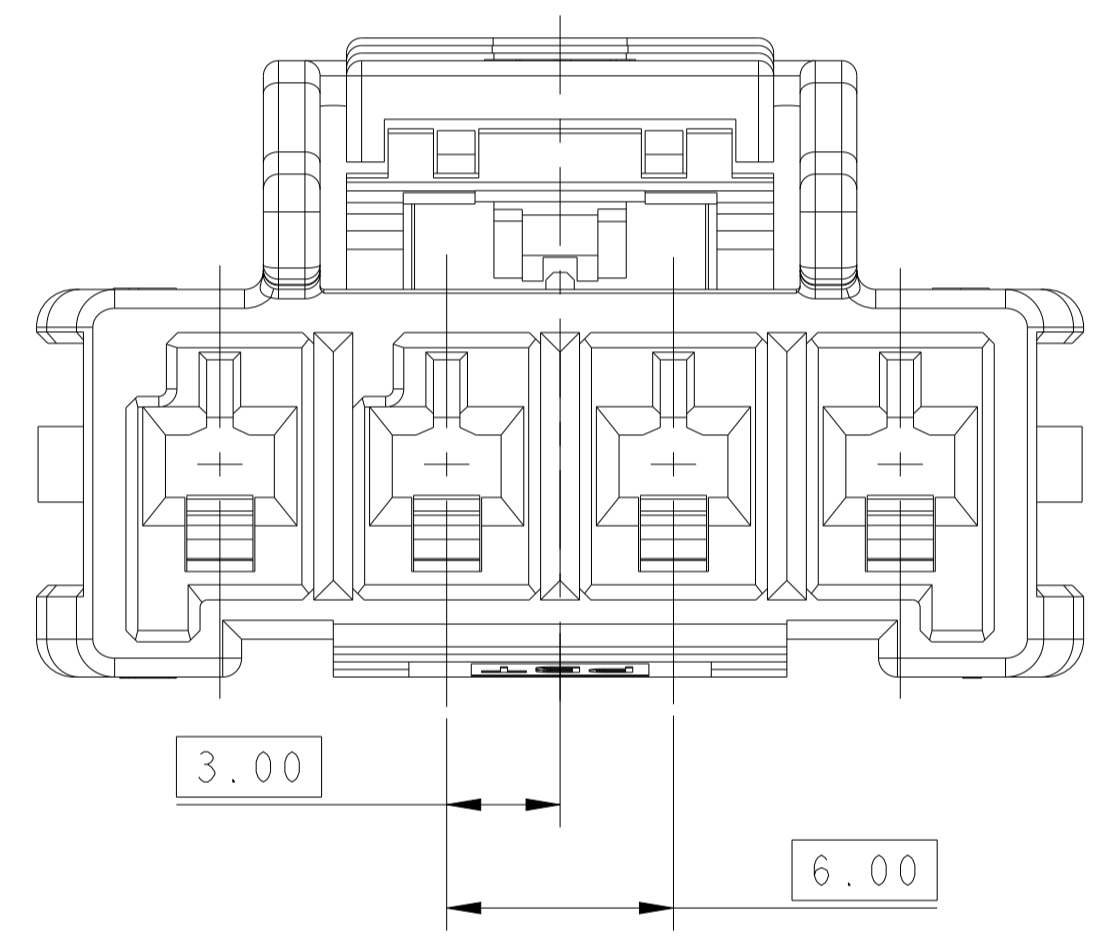
LOC		DIST		REVISIONS			
P	LTN	DESCRIPTION	DATE	DWN	APVD		
G		REVISED PER ECR-21-100678	08APR2021	SS	VS		



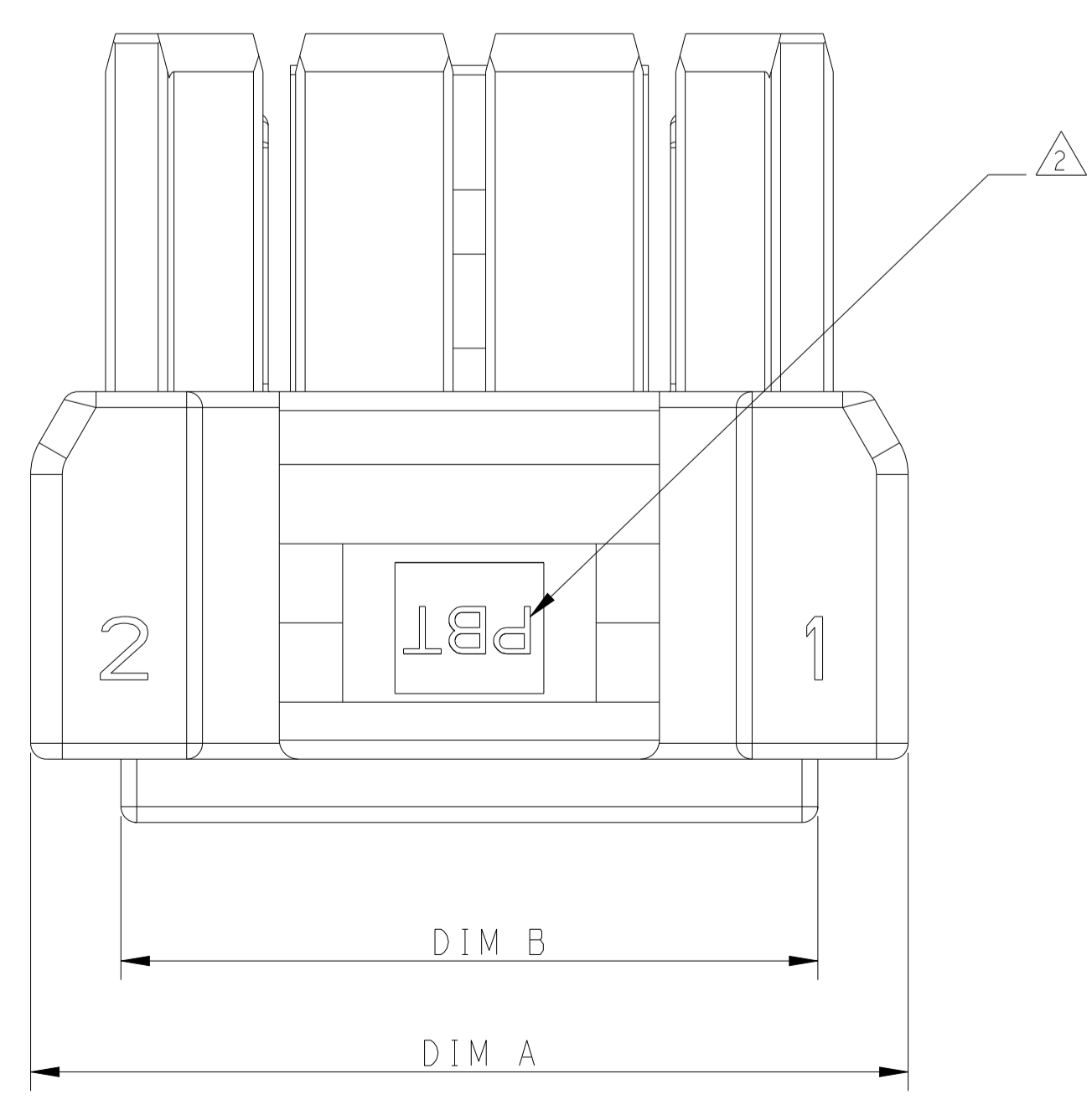
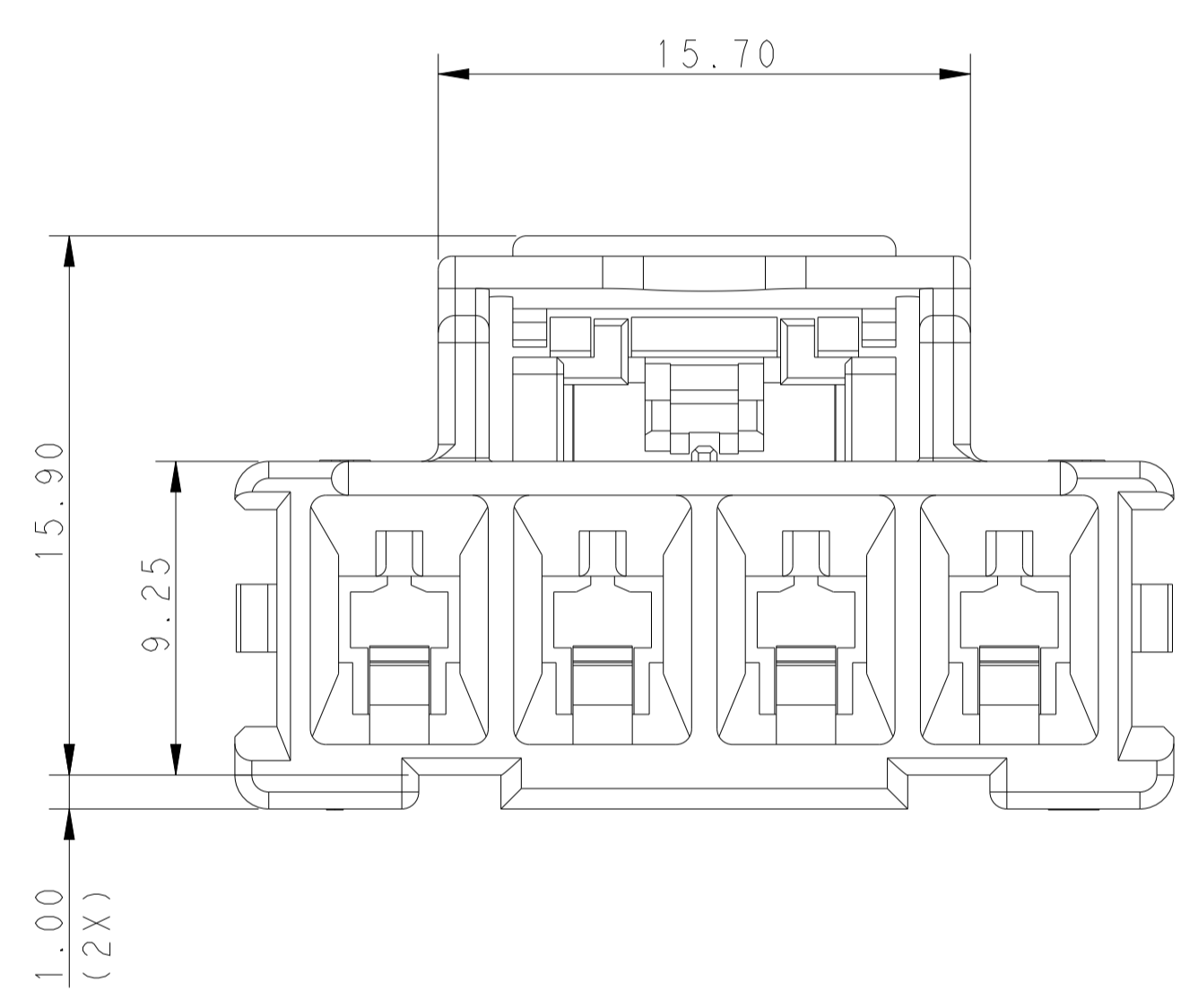
POS.	DIM. A	DIM. B
1*5	33.7	28.0
1*4	27.7	22.0
1*3	21.7	16.0
1*2	15.7	10.0



LEVEL 2 LATCH DESIGN



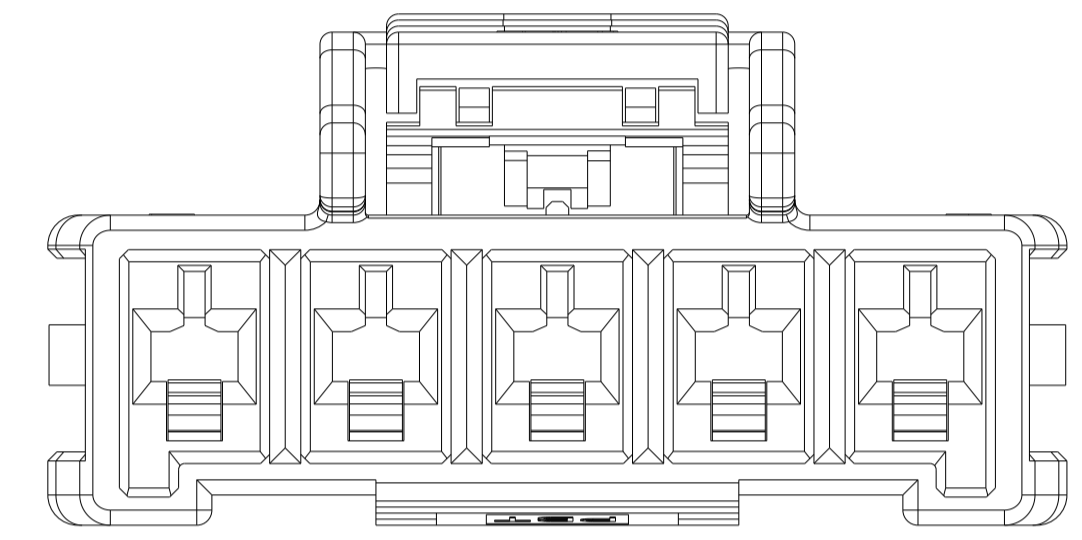
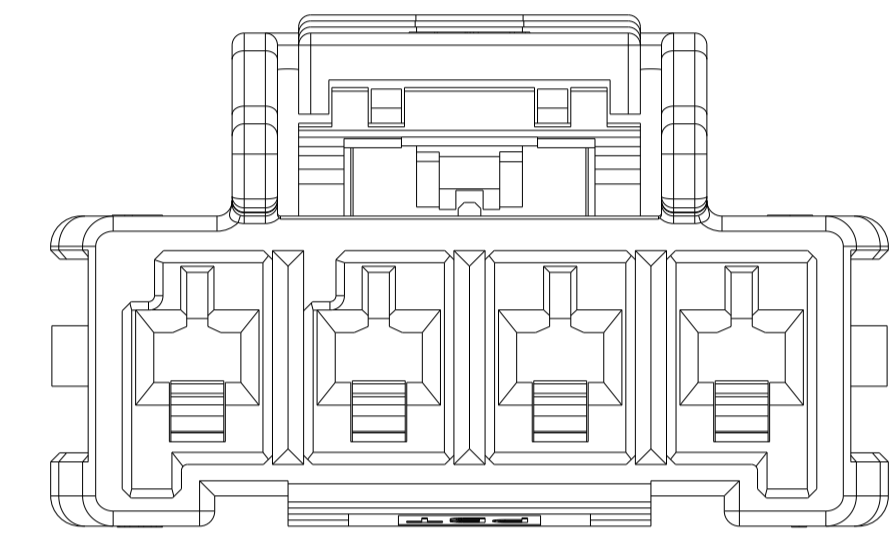
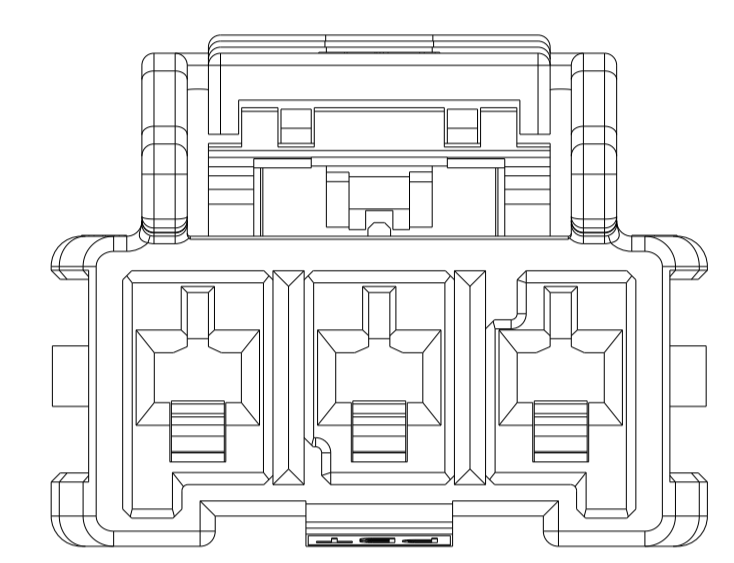
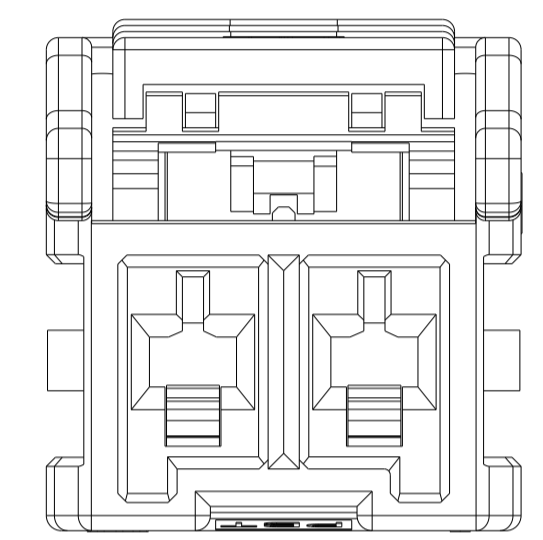
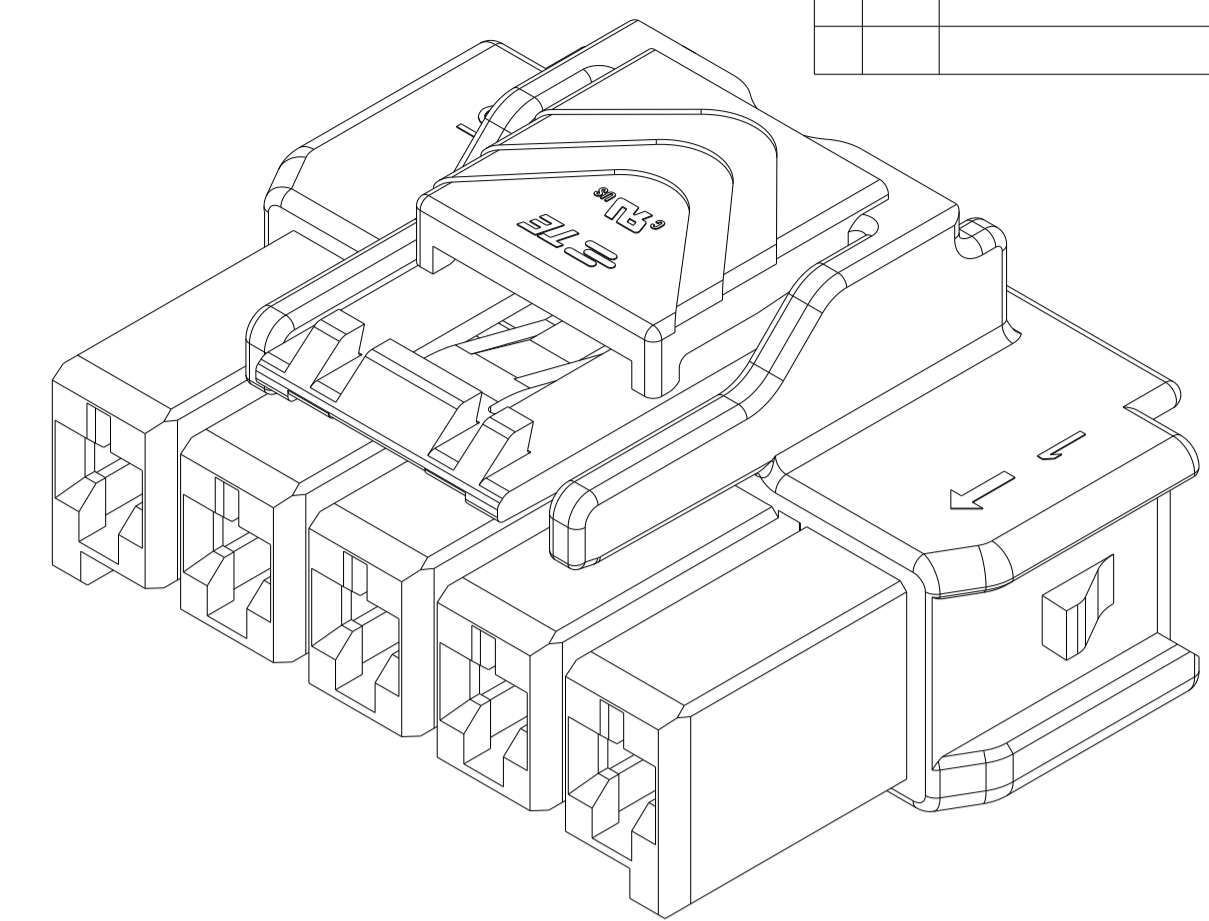
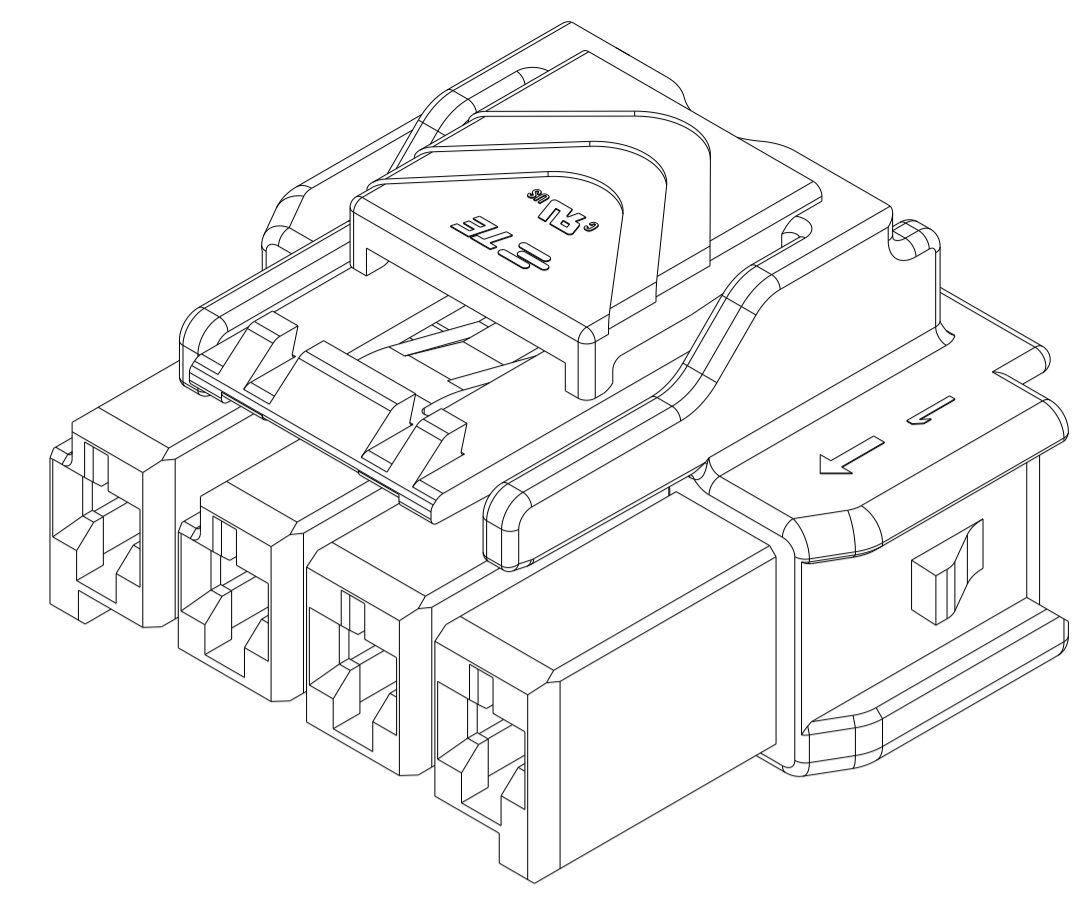
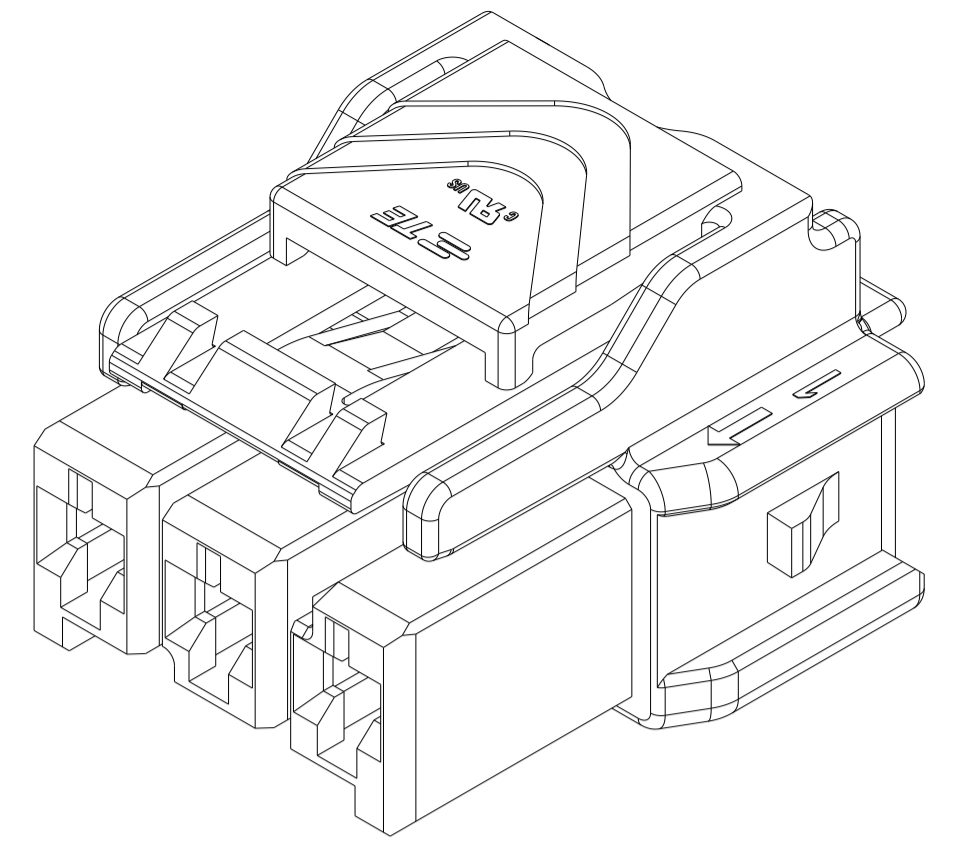
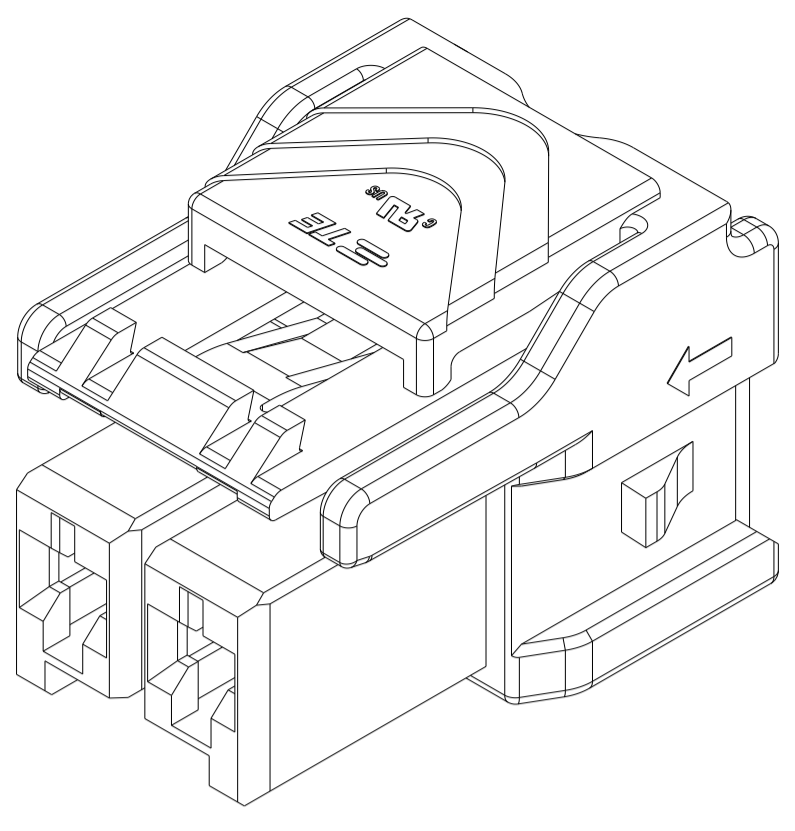
LEVEL 1 LATCH DESIGN



- ▲ MATERIAL:  
 LEVEL 1: PBT GLASS FILLED, STANDARD TEMPERATURE 105°C  
 KEY A: NATURAL; KEY B: PURPLE; KEY C: BLUE; KEY D: YELLOW  
 LEVEL 2: NYLON (PA 66), HIGH TEMPERATURE 150°C  
 KEY A: LIGHT GREY; KEY B: RED; KEY C: BLACK; KEY D: NATURAL
- ▲ MATERIAL MARK:  
 LEVEL 1: PBT, LEVEL 2: HDT
- 3 APPLICABLE CONTACT P/N  
 RECEPTACLE CONTACT: 1971237/1971779/81/83/85/87-\* , 2238066-\*
- 4 MATING CONN, P/N  
 CAP HSG: \*-1971772-\* AND HEADERS: \*-1969688-\*, \*-1969694-\*, \*-1971777-\*
- 5 FLAMMABILITY RATED UL94 V-0
- ▲ GLOW WIRE COMPLIANT IN ACCORDANCE WITH IEC 60335-1  
 THIS IS BASED ON THE PRODUCT MEETING A GWEPT 850°C TEST  
 AND A RESIN GWIT >=775°C

THIS DRAWING IS A CONTROLLED DOCUMENT.		DWN: TOMMY_WU 09JUL2012	TE Connectivity PLUG HOUSING, SINGLE ROW POWER TRIPLE LOCK
DIMENSIONS: mm		CHK: HAPYE_WU 09JUL2012	
TOLERANCES UNLESS OTHERWISE SPECIFIED:		APVD: YUHONG_MAO 09JUL2012	NAME: 108-106118
0 PLC ±0.15		PRODUCT SPEC: 108-106118	
1 PLC ±0.35		APPLICATION SPEC: 114-106118	
2 PLC ±0.25		SIZE: A1	
3 PLC ±0.15		CAGE CODE: 00779	
4 PLC ±0.15		DRAWING NO: 1971773	
ANGLES ±0.1		RESTRICTED TO: -	
FINISH		WEIGHT: -	
MATERIAL		Customer Drawing	
		SCALE: 5:1 SHEET 1 OF 2 REV G	

LOC	DIST	REVISIONS			
P	LTN	DESCRIPTION	DATE	OWN	APVD
-	-	SEE SHEET 1	-	-	-

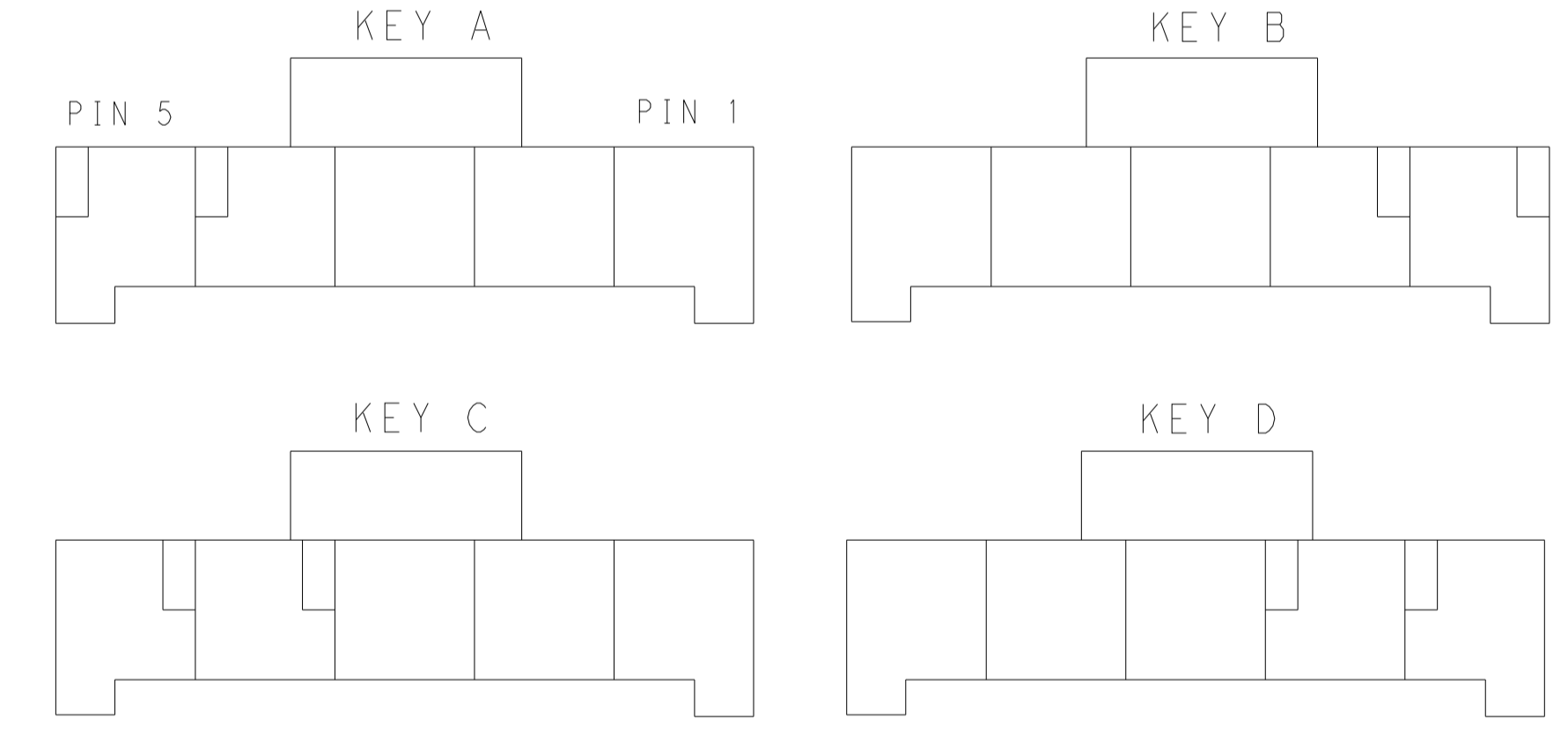
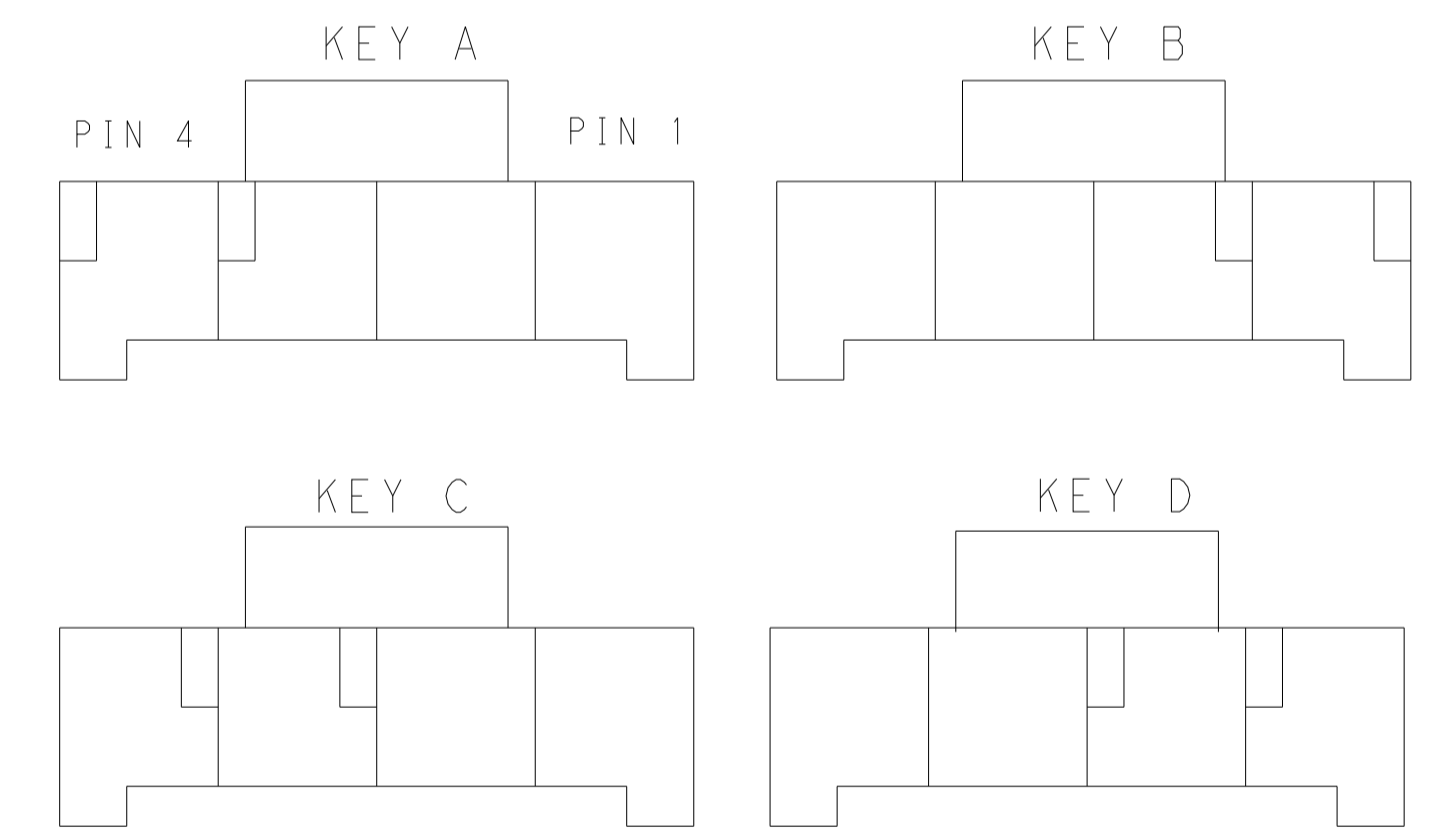
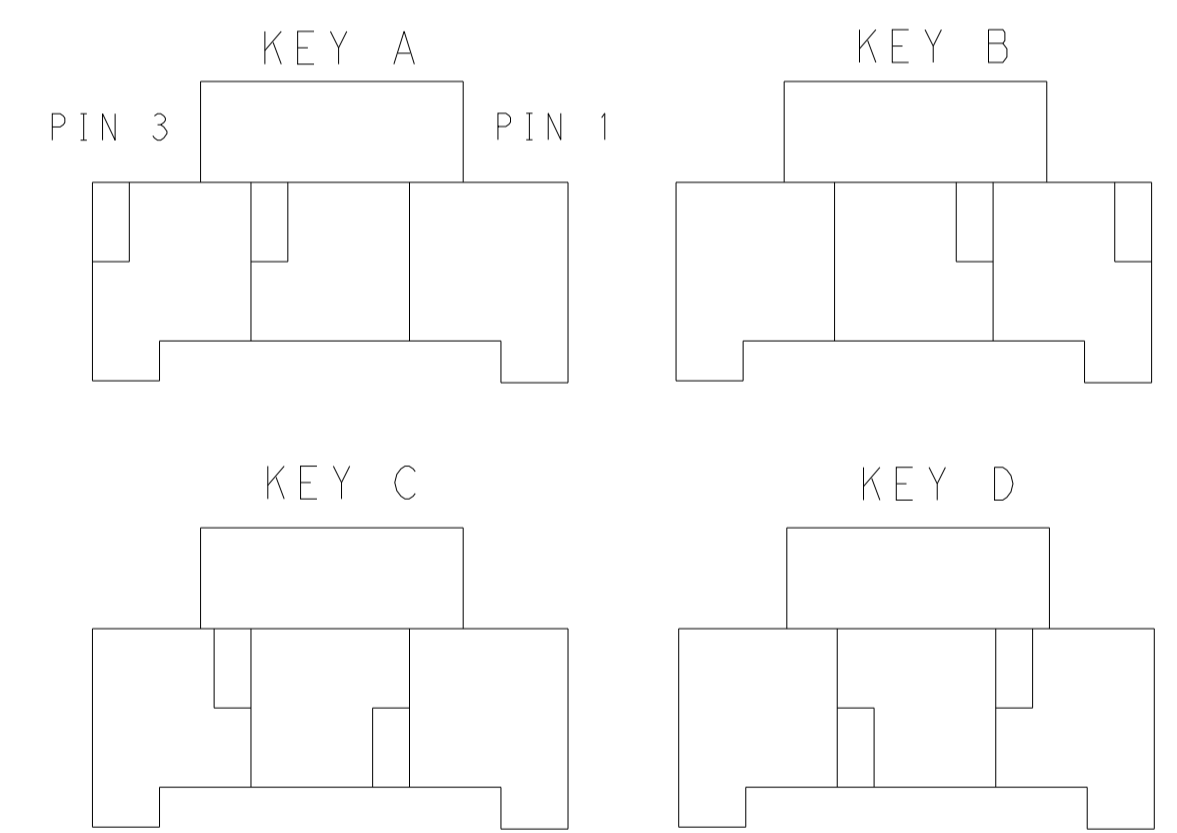
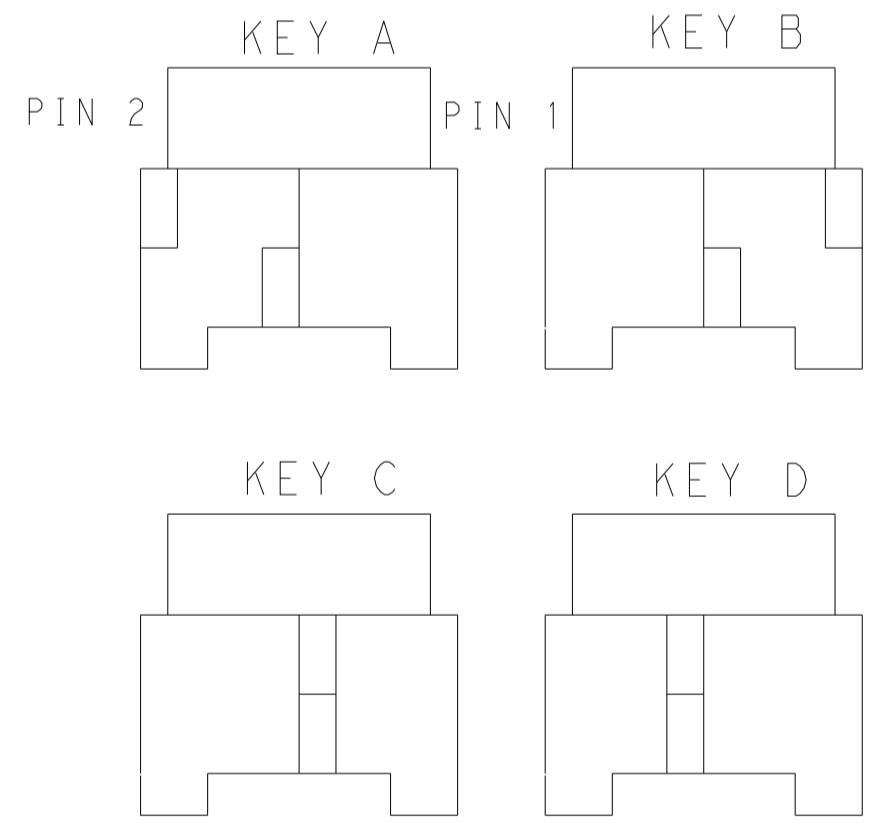


1\*2 POSITIONS

1\*3 POSITIONS

1\*4 POSITIONS

1\*5 POSITIONS



KEYING FOR 1\*2 POS.

KEYING FOR 1\*3 POS.

KEYING FOR 1\*4 POS.

KEYING FOR 1\*5 POS.

POS.	MATERIAL	KEY	P/N
1*3	LEVEL 1	KEY A	1-1971773-3
		KEY B	2-1971773-3
		KEY C	3-1971773-3
		KEY D	4-1971773-3
	LEVEL 2 △6	KEY A	5-1971773-3
		KEY B	6-1971773-3
		KEY C	7-1971773-3
		KEY D	8-1971773-3
1*2	LEVEL 1	KEY B	2-1971773-2
		KEY C	3-1971773-2
		KEY D	4-1971773-2
		KEY A	1-1971773-2
	LEVEL 2 △6	KEY A	9-1971773-2
		KEY B	6-1971773-2
		KEY C	7-1971773-2
		KEY D	8-1971773-2

POS.	MATERIAL	KEY	P/N
1*5	LEVEL 1	KEY A	1-1971773-7
		KEY B	2-1971773-7
		KEY C	3-1971773-7
		KEY D	4-1971773-7
	LEVEL 2 △6	KEY A	5-1971773-7
		KEY B	6-1971773-7
		KEY C	7-1971773-7
		KEY D	8-1971773-7
1*4	LEVEL 1	KEY B	2-1971773-4
		KEY C	3-1971773-4
		KEY D	4-1971773-4
		KEY A	1-1971773-4
	LEVEL 2 △6	KEY A	5-1971773-4
		KEY B	6-1971773-4
		KEY C	7-1971773-4
		KEY D	8-1971773-4

THIS DRAWING IS A CONTROLLED DOCUMENT.

DIMENSIONS:	TOLERANCES UNLESS OTHERWISE SPECIFIED:	OWN TOMMY WU 09JUL2012	CHK HAPYE WU 09JUL2012	APVD YUHONG MAO 09JUL2012	NAME
mm	0 PLC ±.1 1 PLC ±0.35 2 PLC ±0.25 3 PLC ±. 4 PLC ±. ANGLES ±. FINISH	TE Connectivity PRODUCT SPEC 108-106118 APPLICATION SPEC 114-106118 WEIGHT Customer Drawing			PLUG HOUSING, SINGLE ROW POWER TRIPLE LOCK SIZE CAGE CODE DRAWING NO. RESTRICTED TO A100779C=1971773 SCALE 5:1 SHEET 2 OF 2 REV G