

May not be suitable for all medical and aerospace applications.

Specifications: Contact Mallory Sonalert to discuss your application.

NO CIRCUITRY

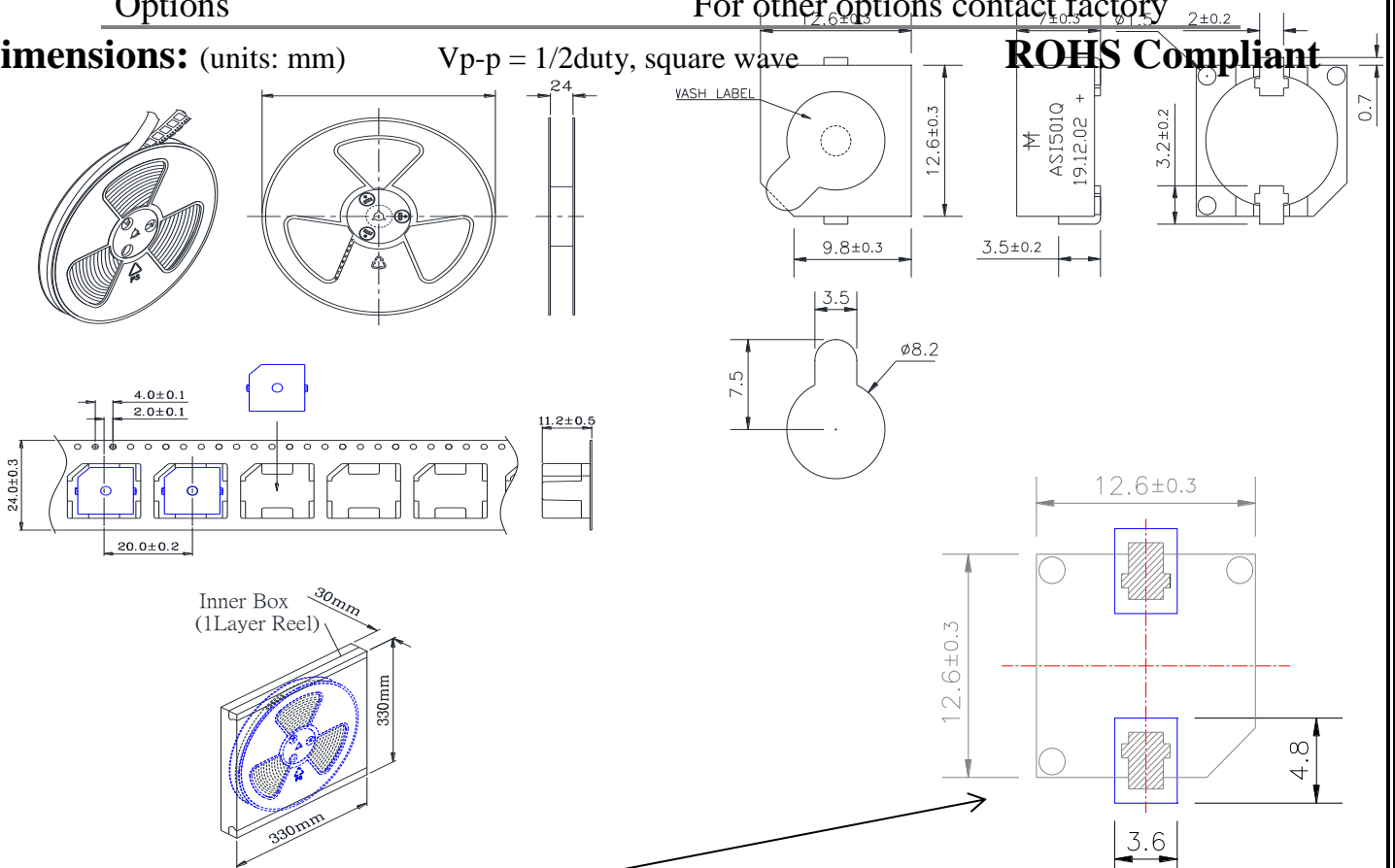
| | |
|---------------------------------------|------------------------------------|
| Resonant Frequency (Hz) | 2400 |
| Operating Voltage (Vp-p) | 1.0 ~ 2.0 |
| Rated Voltage (Vp-p) | 1.5 |
| Current Consumption Max. (mA) | 50 at Rated Voltage |
| Sound Pressure Level Min. (dB) | 87 at 10cm at Rated Voltage |
| Coil Resistance (Ω) | 15 \pm 3 |
| Operating Temperature ($^{\circ}$ C) | -30 ~ +85 |
| Storage Temperature ($^{\circ}$ C) | -40 ~ +85 |
| Housing | PPS plastic resin (Color: Gray) |
| Type of Connection Terminals | SMD |
| Weight (Grams) | 2.6 |
| Options | |

For other options contact factory

Dimensions: (units: mm)

Vp-p = 1/2duty, square wave

ROHS Compliant



Recommended PCB Layout:

Packaging: Parts are supplied on reels (450 pcs per reel).

Units come with wash label and are appropriate for aqueous wash.