

**Plug-in Signal Conditioners K-UNIT**

**PT TRANSMITTER**

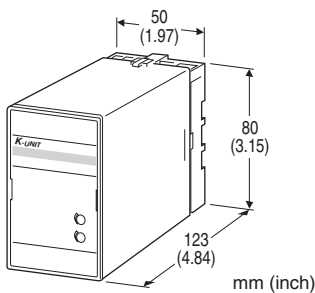
(RMS sensing)

**Functions & Features**

- Converting an alternating voltage from a potential (voltage) transformer into a standard process signal
- Minimum ripple
- Isolation up to 2000 V AC
- High-density mounting

**Typical Applications**

- Centralized monitoring and control of power line and power supply voltages measured at switch boards
- Monitoring abnormal voltage drops for detecting overload



**MODEL: KPE-[1][2]-[3][4]**

**ORDERING INFORMATION**

- Code number: KPE-[1][2]-[3][4]
- Specify a code from below for each of [1] through [4]. (e.g. KPE-1A-B/Q)
- Special output range (For codes Z & 0)
- Specify the specification for option code /Q (e.g. /C01/S01)

**[1] INPUT**

**Voltage**

- 1: 0 - 110 V AC
- 2: 0 - 220 V AC
- 5: 0 - 150 V AC
- 6: 0 - 300 V AC

**[2] OUTPUT**

**Current**

- A: 4 - 20 mA DC (Load resistance 600 Ω max.)
- B: 2 - 10 mA DC (Load resistance 1200 Ω max.)
- C: 1 - 5 mA DC (Load resistance 2400 Ω max.)
- D: 0 - 20 mA DC (Load resistance 600 Ω max.)
- E: 0 - 16 mA DC (Load resistance 750 Ω max.)
- F: 0 - 10 mA DC (Load resistance 1200 Ω max.)

G: 0 - 1 mA DC (Load resistance 12 kΩ max.)

Z: Specify current (See OUTPUT SPECIFICATIONS)

**Voltage**

- 1: 0 - 10 mV DC (Load resistance 10 kΩ min.)
- 2: 0 - 100 mV DC (Load resistance 100 kΩ min.)
- 3: 0 - 1 V DC (Load resistance 100 Ω min.)
- 4: 0 - 10 V DC (Load resistance 1000 Ω min.)
- 5: 0 - 5 V DC (Load resistance 500 Ω min.)
- 6: 1 - 5 V DC (Load resistance 500 Ω min.)
- 4W: -10 - +10 V DC (Load resistance 2000 Ω min.)
- 0: Specify voltage (See OUTPUT SPECIFICATIONS)

**[3] AUXILIARY POWER SUPPLY**

**AC Power**

- B: 100 V AC
- C: 110 V AC
- D: 115 V AC
- F: 120 V AC
- G: 200 V AC
- H: 220 V AC
- J: 240 V AC

**DC Power**

- R: 24 V DC
- V: 48 V DC
- P: 110 V DC

**[4] OPTIONS**

- blank: none
- /Q: With options (specify the specification)

**SPECIFICATIONS OF OPTION: Q (multiple selections)**

**COATING (For the detail, refer to M-System's web site.)**

- /C01: Silicone coating
- /C02: Polyurethane coating
- /C03: Rubber coating

**TERMINAL SCREW MATERIAL**

- /S01: Stainless steel

**GENERAL SPECIFICATIONS**

- Construction:** Plug-in
- Connection:** M3.5 screw terminals
- Screw terminal:** Chromated steel (standard) or stainless steel
- Housing material:** Flame-resistant resin (black)
- Isolation:** Input to output to auxiliary power
- Input waveform:** Up to 15 % of 3rd harmonic content
- Overrange output:** 0 to 120 % at 1 - 5 V
- Zero adjustment:** -5 to +5 % (front)
- Span adjustment:** 95 to 105 % (front)

**INPUT SPECIFICATIONS**

**Frequency:** 50 or 60 Hz

**Input burden:** 1 VA

**Overload capacity:** 150 % of rating for 10 sec., 120 % continuous

**Operational range:** 0 - 120 % of rating

**OUTPUT SPECIFICATIONS**

■ **DC Current:** 0 - 20 mA DC

**Minimum span:** 1 mA

**Offset:** Max. 1.5 times span

**Load resistance:** Output drive 12 V max.

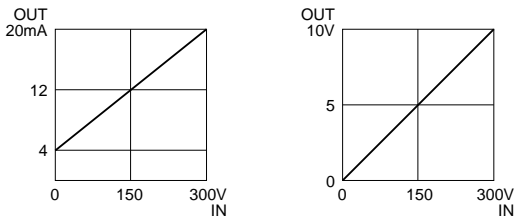
■ **DC Voltage:** -10 - +12 V DC

**Minimum span:** 5 mV

**Offset:** Max. 1.5 times span

**Load resistance:** Output drive 10 mA max.; 5 mA for negative voltage output; at  $\geq 0.5$  V

■ **OPERATION DIAGRAM (example)**

**INSTALLATION****Auxiliary power supply**

• **AC:** Operational voltage range: rating  $-15/+10$  %, 50/60 Hz, approx. 2 VA

• **DC:** Operational voltage range: rating  $\pm 10$  %, or 85 - 150 V for 110 V rating, ripple 10 %p-p max., approx. 2 W (18 mA at 110 V)

**Operating temperature:**  $-10$  to  $+55^{\circ}\text{C}$  ( $14$  to  $131^{\circ}\text{F}$ )

**Operating humidity:** 30 to 85 %RH (non-condensing)

**Mounting:** Surface or DIN rail

**Weight:** 350 g (0.77 lb)

**PERFORMANCE in percentage of span**

**Accuracy:**  $\pm 0.2$  % (at  $23^{\circ}\text{C} \pm 10^{\circ}\text{C}$  or  $73.4^{\circ}\text{F} \pm 18^{\circ}\text{F}$ , 45 - 65 Hz)

**Response time:**  $\leq 1$  sec. (0 - 100 %  $\pm 1$  %)

**Ripple:** 0.5 %p-p max.

**Line voltage effect:**  $\pm 0.1$  % over voltage range

**Insulation resistance:**  $\geq 100$  M $\Omega$  with 500 V DC

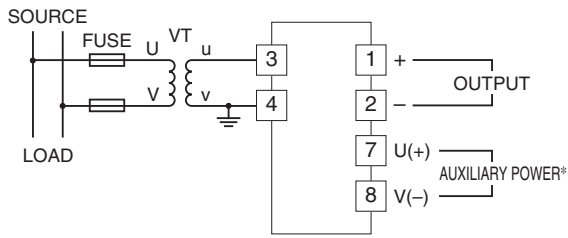
**Dielectric strength:** 2000 V AC @1 minute

(input to output to auxiliary power to ground)

**Impulse withstand voltage:** 1.2 / 50  $\mu\text{sec.}$ ,  $\pm 5$  kV

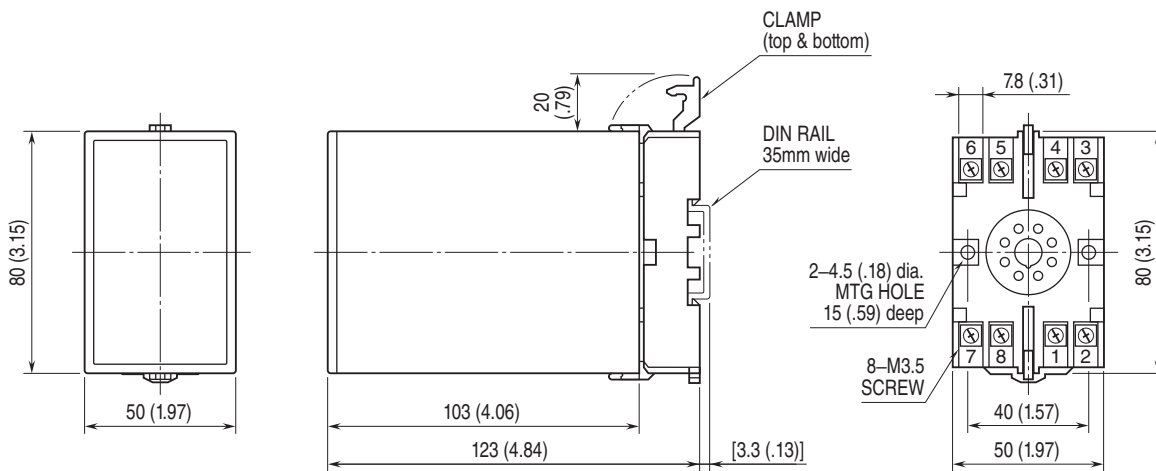
(input to output or ground)

**CONNECTION DIAGRAM**



\* The transmitter can be powered from the input voltage when the voltage is sufficiently stable and meets within the range of auxiliary power supply of the unit specified in the data sheet/instruction manual.

**EXTERNAL DIMENSIONS & TERMINAL ASSIGNMENTS unit: mm (inch)**



• When mounting, no extra space is needed between units.



Specifications are subject to change without notice.