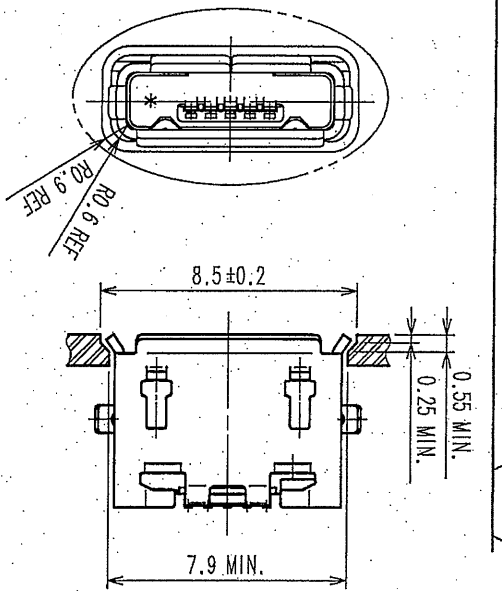
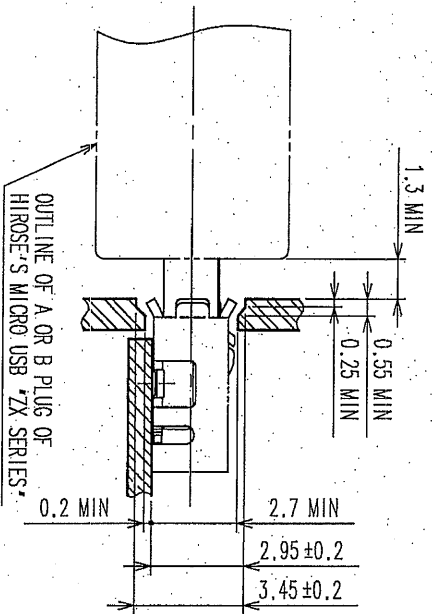


RECOMMENDED PANEL CUTOUT (4:1)

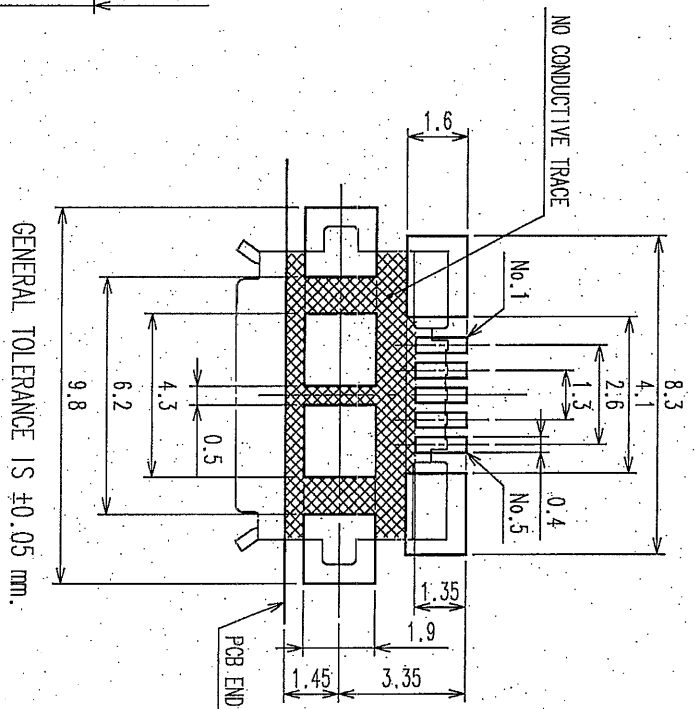


MATED WITH CORRESPONDING PLUG (4:1)

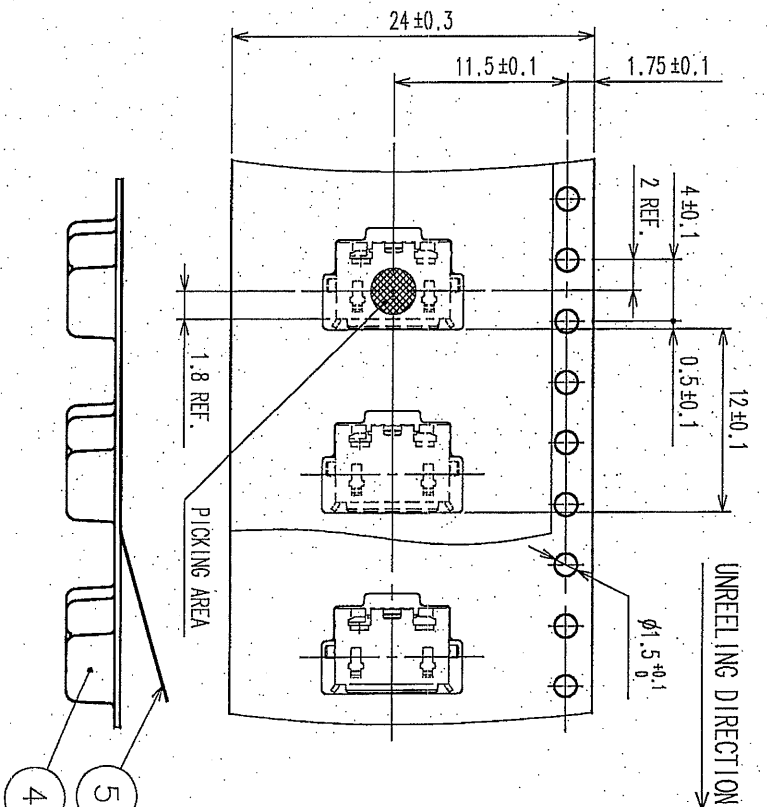


COUNT	DESCRIPTION OF REVISIONS	BY	CHKD	DATE	COUNT	DESCRIPTION OF REVISIONS	BY	CHKD	DATE

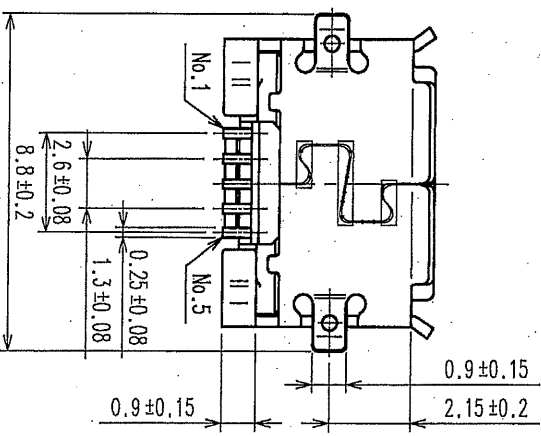
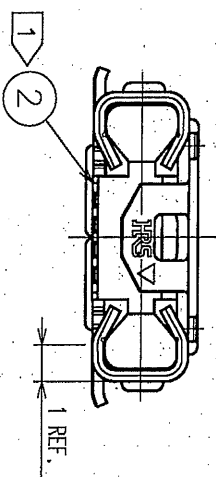
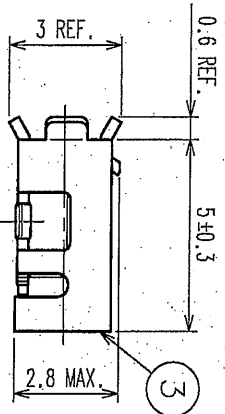
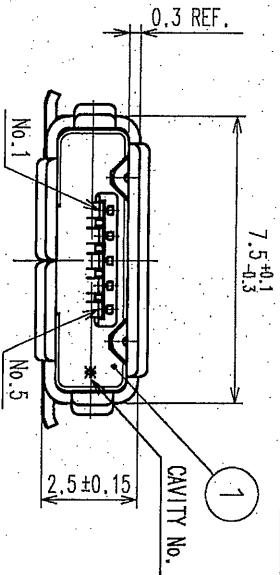
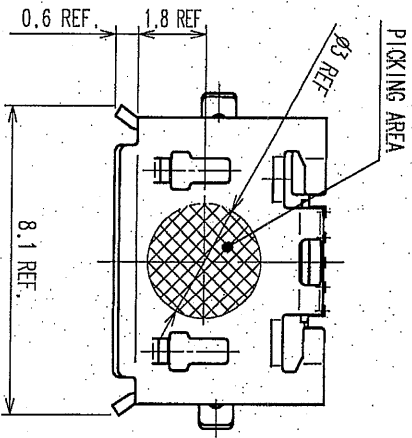
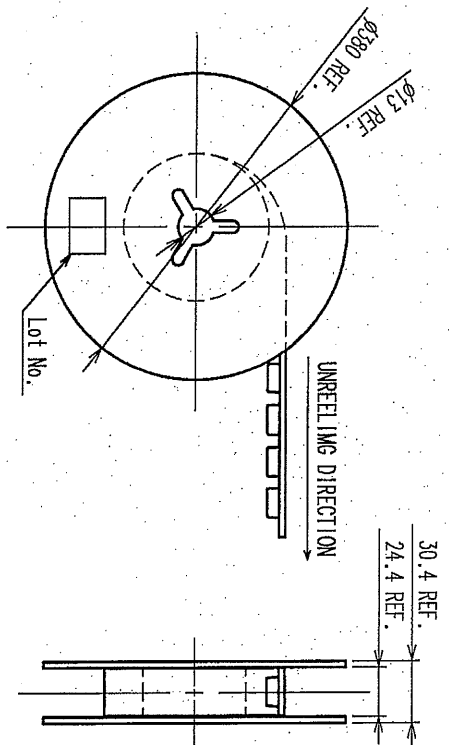
PCB LAYOUT



DRAWING FOR PACKING (2:1)



REEL (FREE)



NOTES

- 1 CO-PLANARITY IS WITHIN 0.08 mm.
- 2 PLATING  
CONTACT AREA : GOLD 0.75µm min.  
LEAD AREA : GOLD 0.05µm min.  
UNDER PLATING: NICKEL 2µm min.
- 3 PER REEL : 2000 pcs.
- 4 INTERFACE DIMENSIONS CONFORM TO USB2.0 SPECIFICATION.

NO.	MATERIAL	FINISH, REMARKS	NO.	MATERIAL	FINISH, REMARKS
2	COPPER ALLOY	2	5	PE	
1	LCP	GRAY, UL94V-0	4	PS	
			3	STAINLESS STEEL	TIN PLATING 1µm min.

SCALE	DRAWING NO.	PART NO.	CODE NO.
5 : 1	EDC3-126275	ZX62-AB-5P	CL242-0029-0

DATE	DESIGNED	CHECKED	APPROVED	RELEASED
07-04-20	<i>T. Nishida</i>	<i>T. Nishida</i>	<i>H. Sakaguchi</i>	<i>ENG 07.6.6 DEPT</i>
07-04-20				
07-04-20				

HRS HIROSE ELECTRIC CO., LTD