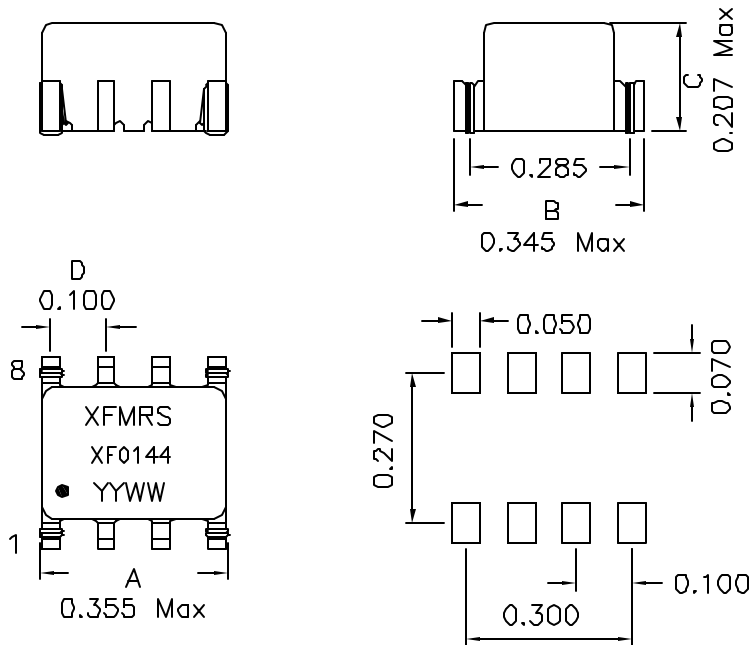
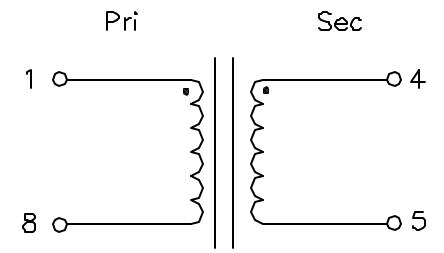


### 1. Mechanical Dimensions:



SUGGESTED PAD LAYOUT

### 2. Schematic:



### 3. Electrical Specifications:

- PRI OCL: 1400uH Min @10KHz, 0.1V
- LL: Pins 1-8 0.50uH Max, @100KHz, 0.1V (Short SEC)
- PRI DCR: 1.50 Ohms Max.
- SEC DCR: 1.50 Ohms Max.
- Turn Ratio: (PRI:SEC) 1:1
- Volt-Time Product: 27.2 V-uSec
- Isolation Volatage: 1500Vdc, PRI TO SEC

Notes:

- Solderability: Leads shall meet MIL-STD-202G, Method 208H for solderability.
- Flammability: UL94V-0
- ASTM oxygen index: > 28%
- Insulation System: Glass F 155°C, UL file E151556
- Operating Temperature Range: All listed parameters are to be within tolerance from -40°C to +85°C
- Storage Temperature Range: -55°C to +125°C
- Aqueous wash compatible
- SMD Lead Coplanarity: ±0.004"(0.102mm)
- Electrical and mechanical specifications 100% tested
- RoHS Compliant Component

DOC REV A/3

**PROPRIETARY**

Document is the property of XFMRs Group & is not allowed to be duplicated without authorization.

|  |                  |                                  |           |
|--|------------------|----------------------------------|-----------|
| <b>XFMRs Inc</b><br>www.XFMRs.com  |                  | Title:<br>Gate Drive Transformer |           |
| UNLESS OTHERWISE SPECIFIED<br>TOLERANCES:<br>.xxx ±0.010<br>Dimensions in INCH | P/N: XF0144-GD10 |                                  | REV. A    |
|  | DWN.             | 廖玉坤                              | Sep-21-06 |
|  | CHK.             | 李清儿                              | Sep-21-06 |
|  | APP.             | MS                               | Sep-21-06 |
| SHEET 1 OF 1   |                  |                                  |           |