

PART NAME: KNOB SCALE: 1:1 DATE: 6/2/48 DR. BY HAC

THIS DRAWING IS THE PROPERTY OF DAVIES MOLDING COMPANY, IS SUBMITTED SOLELY AS A DESIGN OR ENGINEERING PROJECT. WE ACCEPT NO RESPONSIBILITY WHATSOEVER FOR THE PRACTICAL APPLICATION OF THE PIECES MADE TO THIS DESIGN.

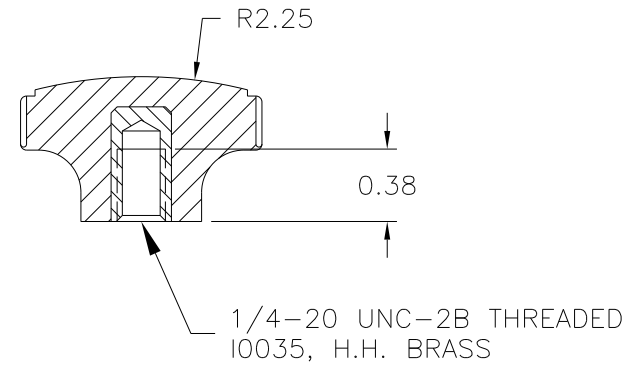
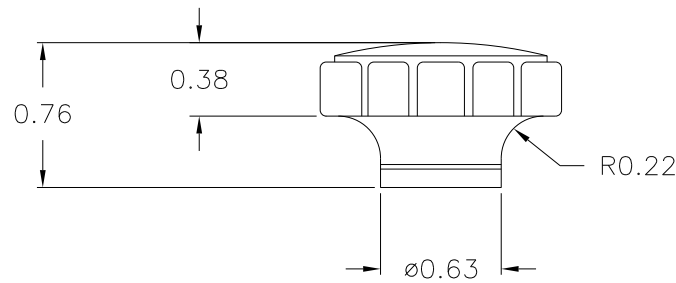
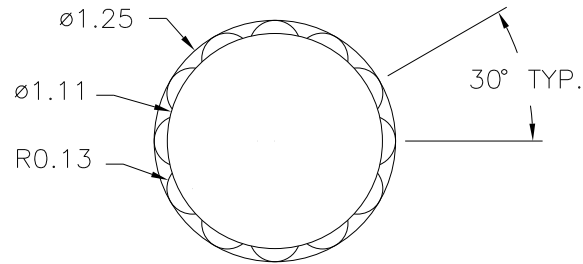


DESIGNERS & MANUFACTURERS OF KNOBS, HANDLES, CASES & CUSTOM PLASTIC COMPONENTS

P/N 3008-W

M^{NO.} 3008

CAVITY	3008
PLUNGER	3008
OUTER PIN	3008-28
INNER PIN	3008-18
SHIMS	3008-A+B
INSERT	10035



MATERIAL: G.P. PHENOLIC (B11)
COLOR: BLACK

TOLERANCES: UNLESS OTHERWISE SPECIFIED	DO NOT SCALE DRAWING			
DECIMALS: X.XXX \pm .005 X.XX \pm .015	MM: X.XX \pm 0.15MM X.X \pm 0.4MM	A	ADDED INNER & OUTER PINS, CORRECTED TOOLING BOX	TS 10/16/02
		-	RE-DID REDRAW	TL 11/23/99
		-	CAD REDRAW	HD 4/20/94
FRACTIONS \pm 1/64	ANG. \pm 1°	CHANGES		