

Distributor: [Electro-Stock www.electrostock.com](http://www.electrostock.com) Tel: 630-682-1542 Fax: 630-682-1562

FEATURES:

- Switching capacity up to 20A
- Small size and light weight
- Dual relay available
- Low coil power consumption
- Suitable for automobile and consumer electronics applications



17.8 x 9.6(17.0) x 13.2mm

CONTACT DATA

| | |
|---------------------------|--|
| Contact Arrangement | 1A = SPST N.O. 1C = SPDT 2A = (2) SPST N.O. 2C = (2) SPDT |
| Contact Rating | 20A @ 14VDC N.O. 15A @ 14VDC N.C. |
| Contact Resistance | < 50 milliohms initial |
| Contact Material | AgSnO ₂ |
| Maximum Switching Power | 280W |
| Maximum Switching Voltage | 40VDC |
| Maximum Switching Current | 20A |

COIL DATA

| Coil Voltage VDC | | Coil Resistance Ω ± 10% | | Pick Up Voltage VDC (max) | Release Voltage VDC (min) | Coil Power W | Operate Time ms | Release Time ms |
|---------------------|------|----------------------------|------|------------------------------|------------------------------|-----------------|--------------------|--------------------|
| Rated | Max. | 0.6W | 0.8W | 75% of rated voltage | 10% of rated voltage | | | |
| 12 | 18 | 240 | 180 | 9.00 | 1.2 | 0.60 or 0.80 | 8 | 5 |

CAUTION:

1. The use of any coil voltage less than the rated coil voltage may compromise the operation of the relay.
2. Pickup and release voltages are for test purposes only and are not to be used as design criteria.

GENERAL DATA

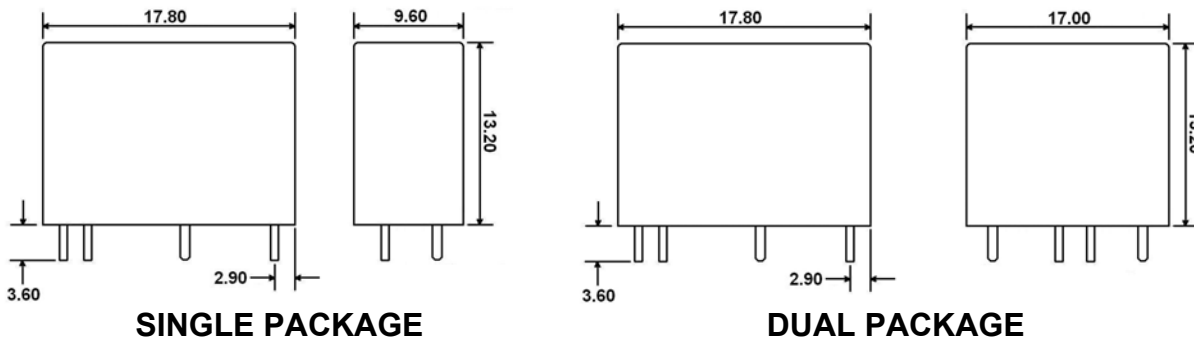
| | |
|--------------------------------------|---------------------------------|
| Electrical Life @ rated load | 100K cycles, typical |
| Mechanical Life | 10M cycles, typical |
| Insulation Resistance | 100MΩ min @ 500VDC |
| Dielectric Strength, Coil to Contact | 500V rms min. @ sea level |
| Contact to Contact | 500V rms min. @ sea level |
| Shock Resistance | 300m/s ² for 11ms |
| Vibration Resistance | 1.50mm double amplitude 10-40Hz |
| Terminal (Copper Alloy) Strength | 5N |
| Operating Temperature | -40 °C to + 85 °C |
| Storage Temperature | -40 °C to + 155 °C |
| Solderability | 230 °C ± 2 °C for 10 ± 0.5s |
| Weight | 5g, 10g |

Distributor: **Electro-Stock** www.electrostock.com Tel: 630-682-1542 Fax: 630-682-1562

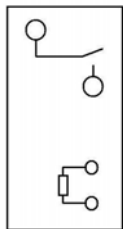
ORDERING INFORMATION

| | | | | | |
|--------------------------------|-------|----|---|-------|-----|
| 1. Series: | CTA11 | 2C | S | 12VDC | .80 |
| CTA11 | | | | | |
| 2. Contact Arrangement: | | | | | |
| 1A = SPST N.O. | | | | | |
| 1C = SPDT | | | | | |
| 2A = (2) SPST N.O. | | | | | |
| 2C = (2) SPDT | | | | | |
| 3. Sealing Options: | | | | | |
| S = Sealed | | | | | |
| C = Dust Cover | | | | | |
| 5. Coil Voltage: | 12VDC | | | | |
| 6. Coil Power: | | | | | |
| .60 = 0.60W | | | | | |
| .80 = 0.80W | | | | | |

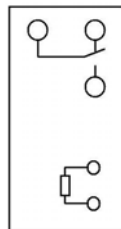
DIMENSIONS (Units = mm)



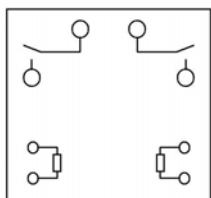
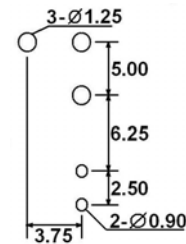
SCHEMATICS & PC LAYOUTS (BOTTOM VIEWS)



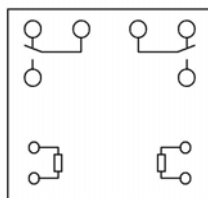
1A



1C



2A



2C

