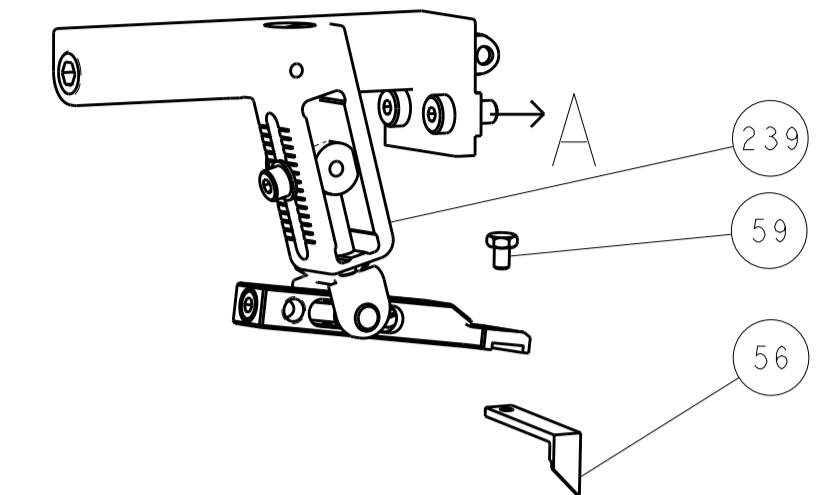
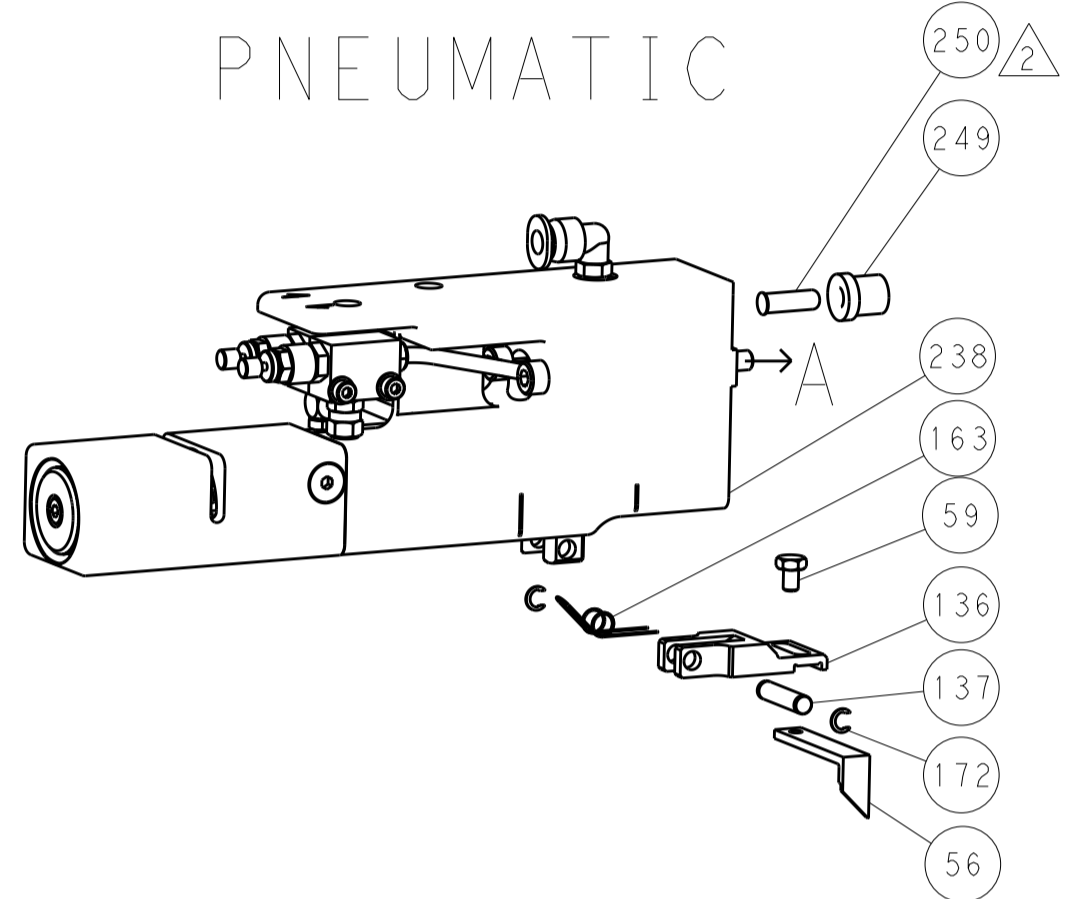


| LOC | | DIST | | REVISIONS | | | |
|-----|----|------|-----|-------------|------|-----|------|
| A | 66 | P | LTM | DESCRIPTION | DATE | DMN | APVD |
| | | - | | SEE SHEET 1 | | | |

FEED TYPE MECHANICAL



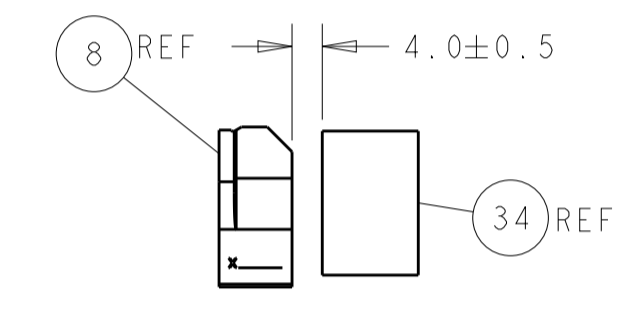
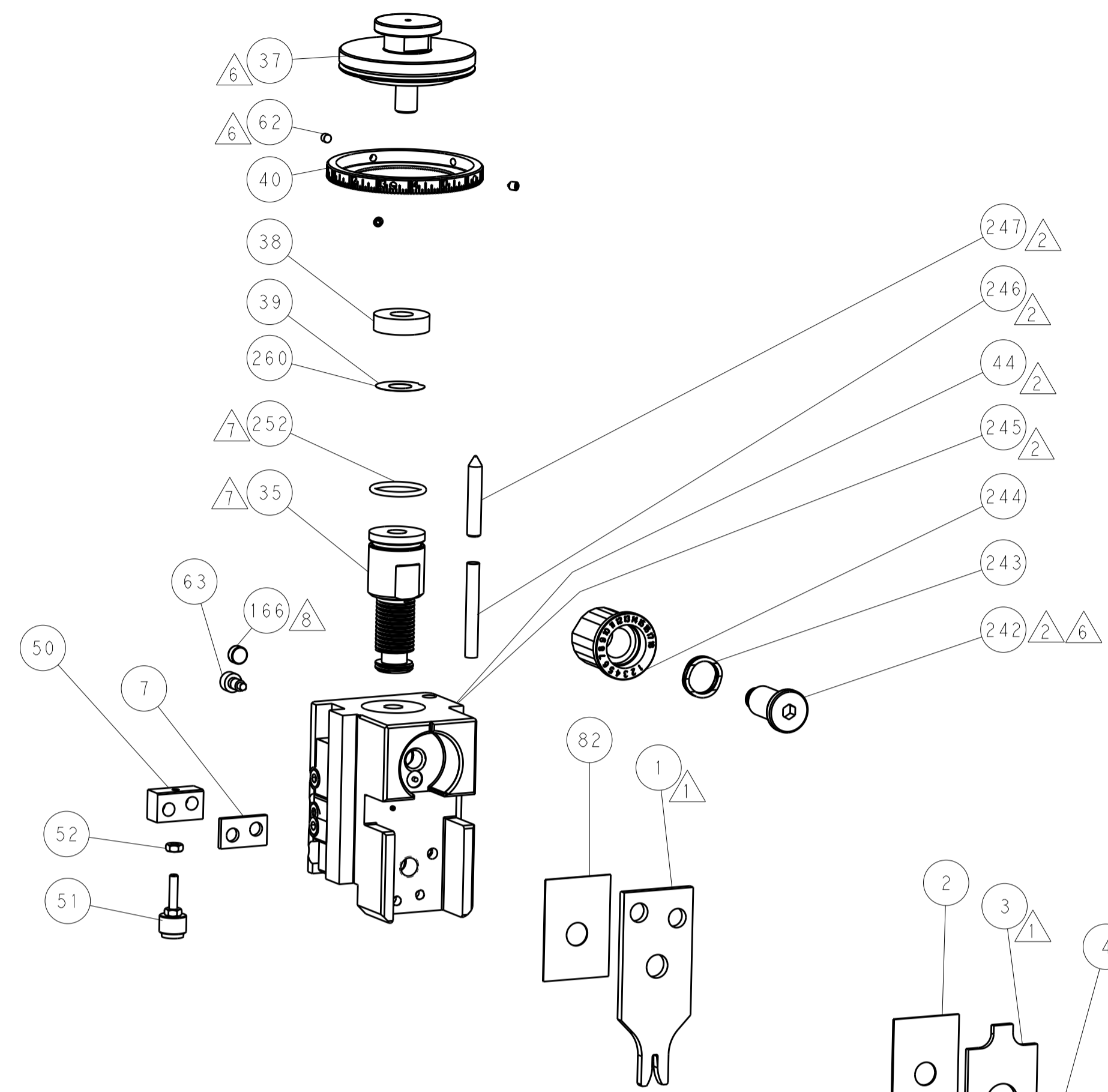
PNEUMATIC



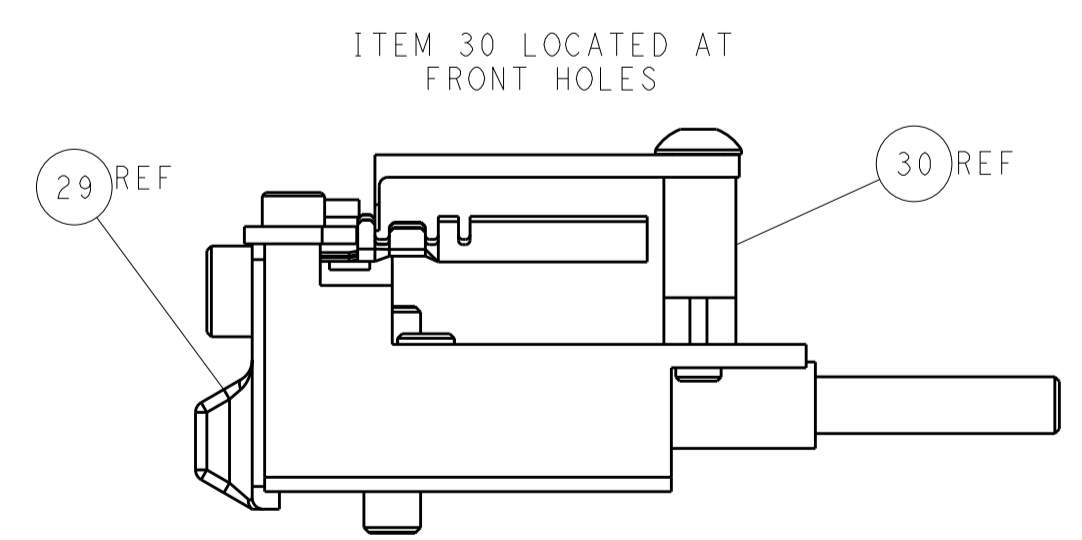
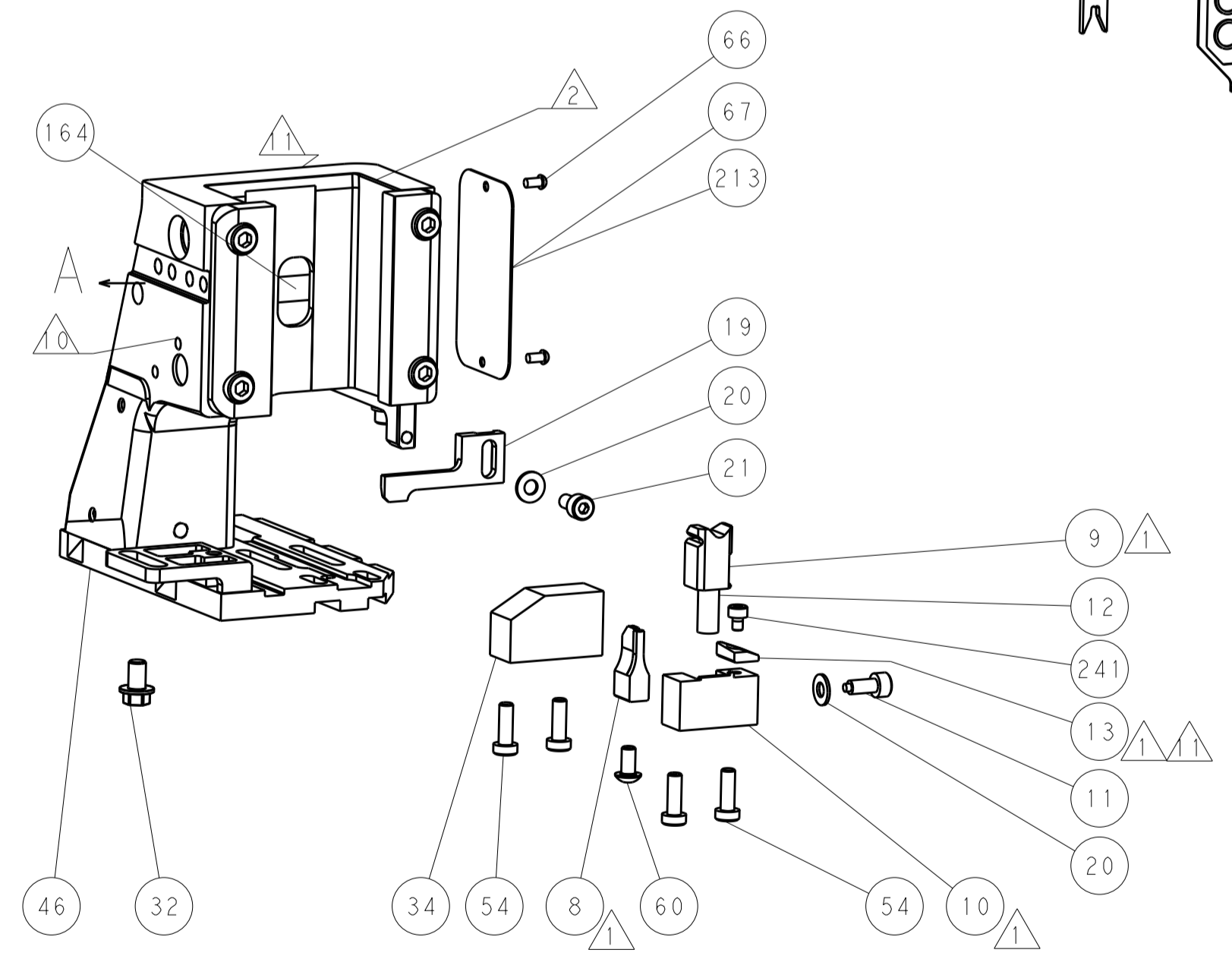
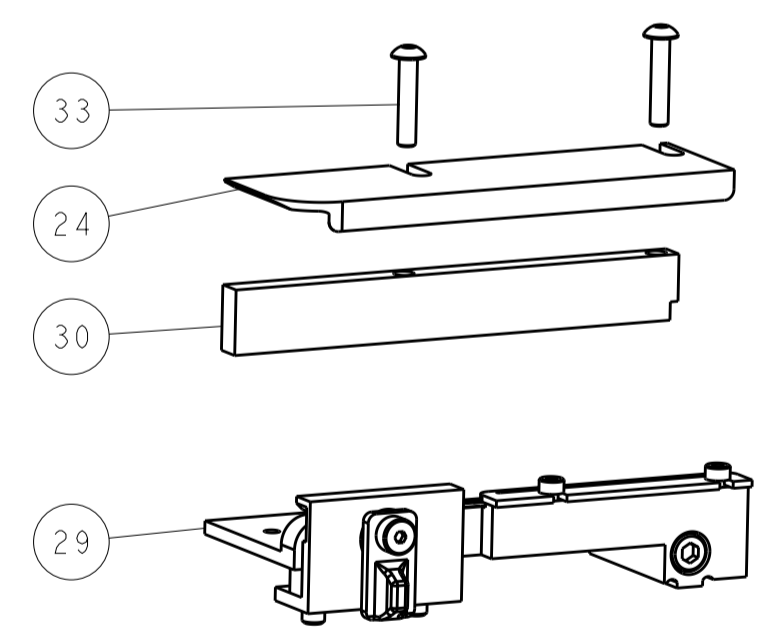
SERVO LATCH PLATE



CAM POSITIONS



TERMINAL SUPPORT LOCATION



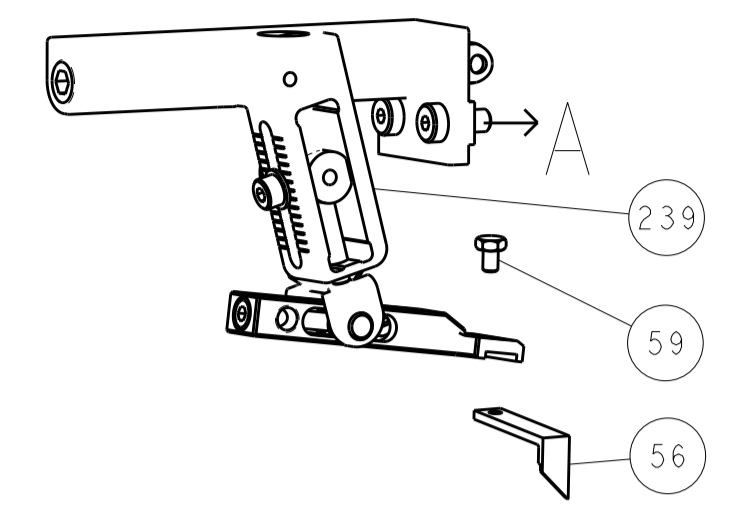
ITEM 30 LOCATED AT FRONT HOLES

ATLANTIC VERSION
 Shown on sheets 1 of 4 & 2 of 4
 (Pacific version shown on sheets 3 of 4 & 4 of 4)

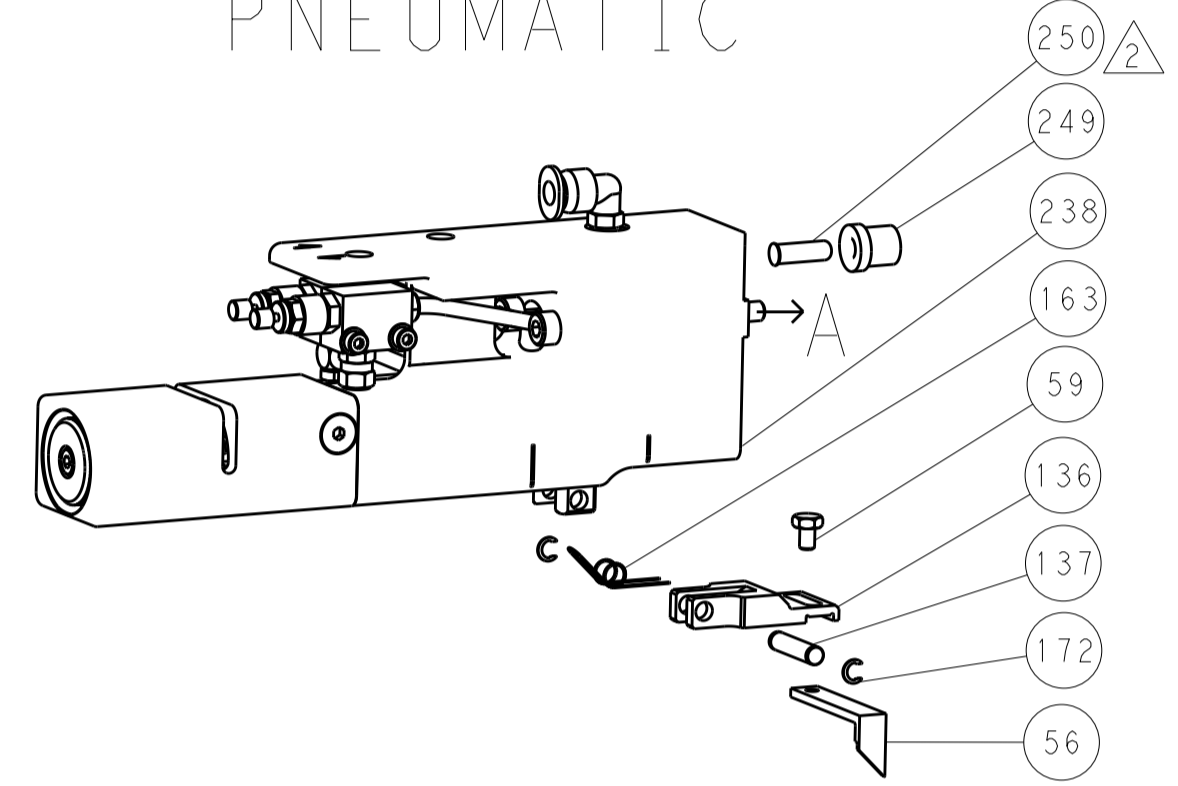
| | | | | | | | |
|-------------|---------|--|---------|----------------------------|--------------|--|---------------------------|
| DIMENSIONS: | | TOLERANCES UNLESS OTHERWISE SPECIFIED: | | DWG: R.O. WILSON 10OCT2014 | | TE Connectivity | |
| mm | 0 PLC ± | 1 PLC ± | 2 PLC ± | 3 PLC ± | 4 PLC ± | 5 PLC ± | Harrisburg, PA 17105-3608 |
| | ANGLES | FINISH | | CHK: K.J. STAKEM | 13OCT2014 | NAME: Ocean Side Feed Applicator | |
| MATERIAL: | | | | APVD: T.L. ELBIN | 13OCT2014 | RESTRICTED TO: | |
| | | | | PRODUCT SPEC | | SIZE: CAGE CODE: DRAWING NO: | |
| | | | | APPLICATION SPEC | | A1 00779 ©=2266544 | |
| | | | | WEIGHT | | Customer Accessible Production Drawing | |
| | | | | SCALE: 1:2 | SHEET 2 OF 4 | REV B | |

| LOC | | DIST | | REVISIONS | | | |
|-----|----|------|-----|-------------|------|-----|------|
| A | 66 | P | LTM | DESCRIPTION | DATE | DMN | APVD |
| | | - | - | SEE SHEET 1 | - | - | - |

FEED TYPE MECHANICAL



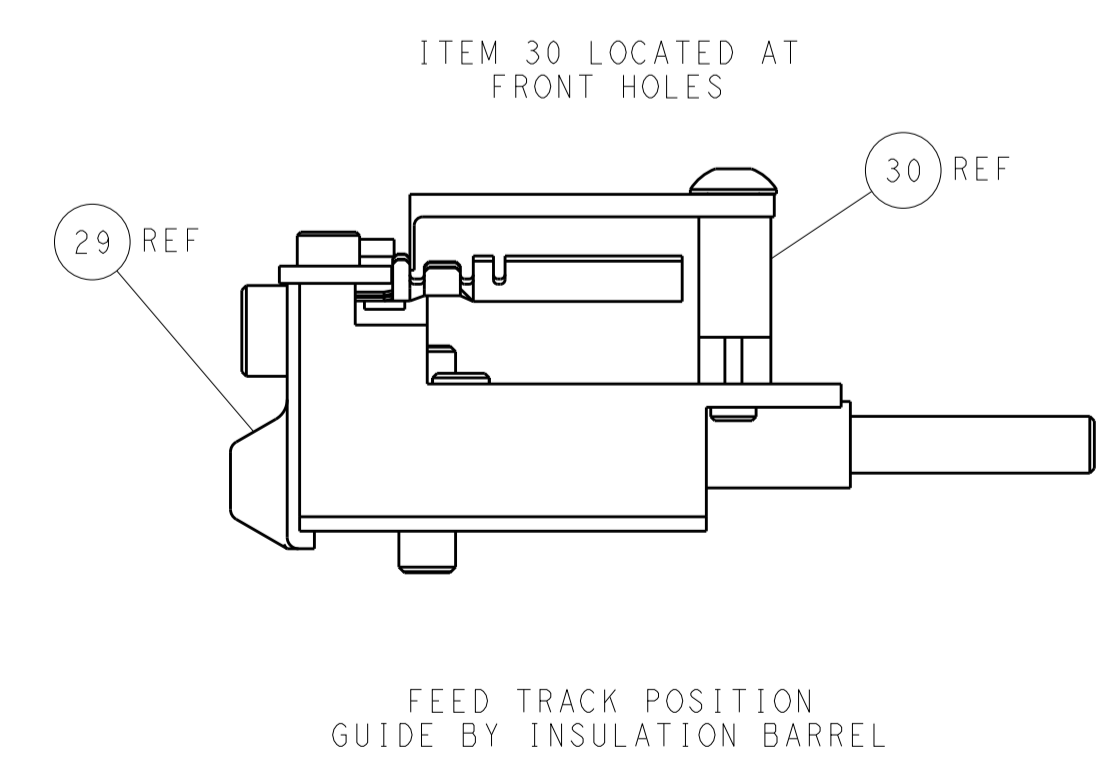
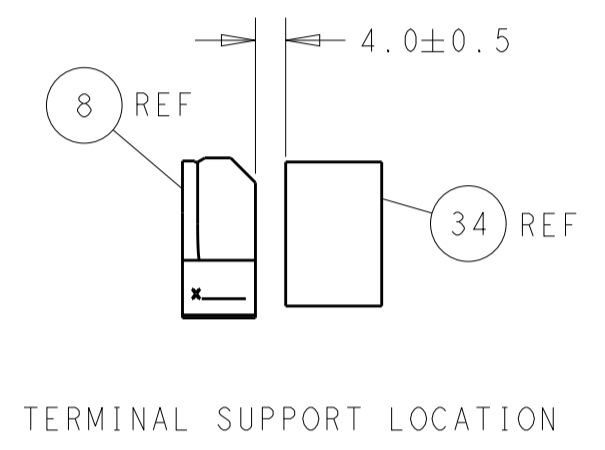
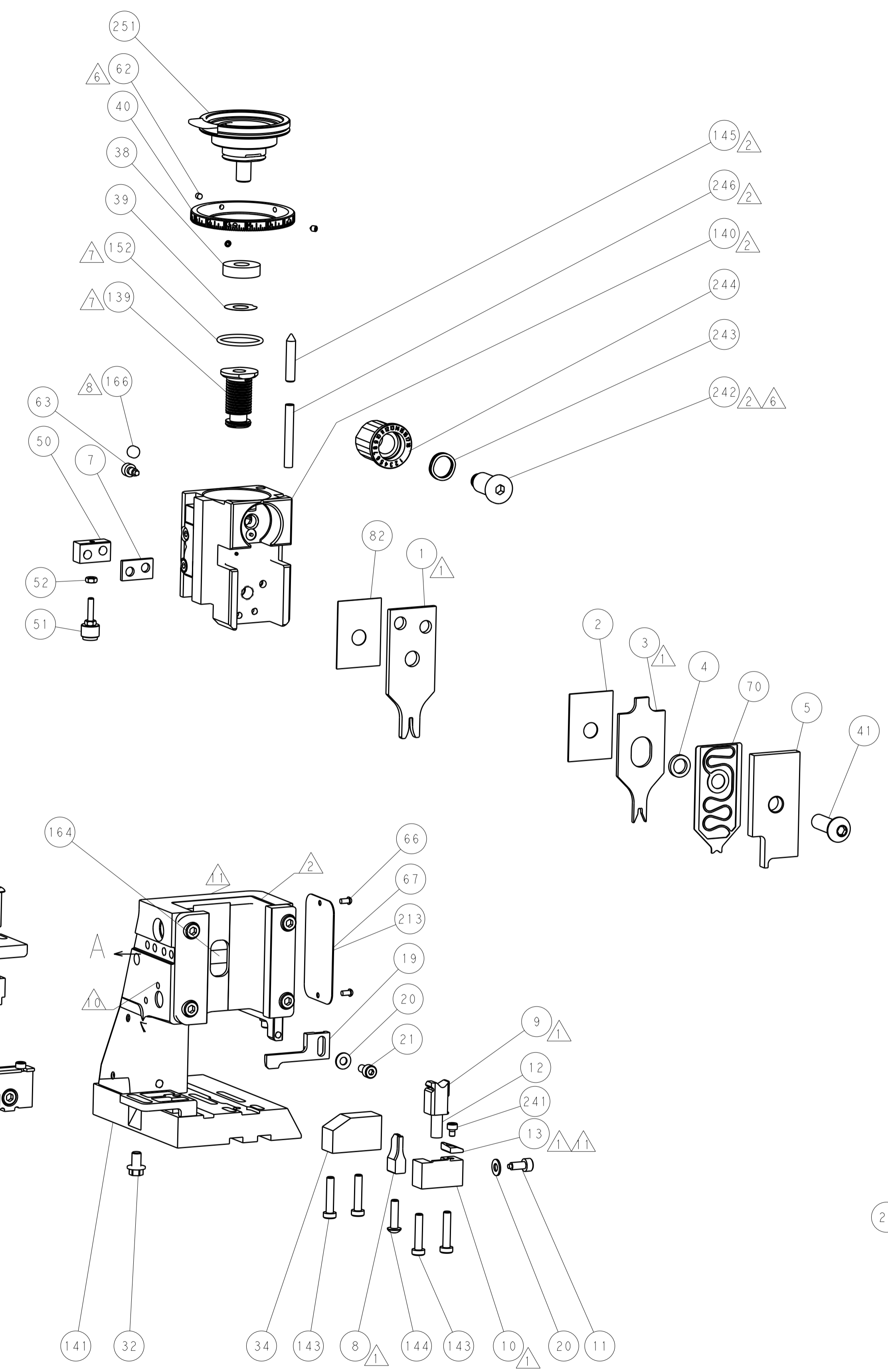
PNEUMATIC



SERVO LATCH PLATE



CAM POSITIONS



PACIFIC VERSION
 Shown on sheets 3 of 4 & 4 of 4
 (Atlantic version shown on sheets 1 of 4 & 2 of 4)

| | | | | | | | |
|-------------|---------|--|---------|----------------------------|---------|--|---------|
| DIMENSIONS: | | TOLERANCES UNLESS OTHERWISE SPECIFIED: | | DWG: R.O. WILSON 13OCT2014 | | NAME: TE Connectivity | |
| mm | 0 PLC ± | 1 PLC ± | 2 PLC ± | 3 PLC ± | 4 PLC ± | 5 PLC ± | 6 PLC ± |
| | ANGLES | FINISH | | CHK: K.J. STAKEM 13OCT2014 | | Harrisburg, PA 17105-3608 | |
| MATERIAL: | | | | APVD: T.L. ELBIN 13OCT2014 | | Customer Accessible Production Drawing | |
| | | | | PRODUCT SPEC | | RESTRICTED TO | |
| | | | | APPLICATION SPEC | | SIZE: CAGE CODE: DRAWING NO: | |
| | | | | WEIGHT: | | A 00779 C=2266544 | |
| | | | | SCALE: 1:2 | | SHEET 4 OF 4 REV B | |